



# 4380-5020 MHz Cavity Bandpass Filter

Part Number: AB4700B1196



**ANATECH ELECTRONICS INC**  
RF & Microwave Filters & Products

## Electrical specifications

- Center Frequency: 4700MHz
- Passband: 4380-5020 MHz
- Passband Insertion Loss:  $\leq 1.0$  dB (TYP: 0.7 dB)
- Passband Return Loss:  $\geq 15$  dB
- Rejection:  $\geq 80$  dB @ 5250-5280 MHz
- Power Handling: 25 W
- Input / Output Impedance: 50 Ohms

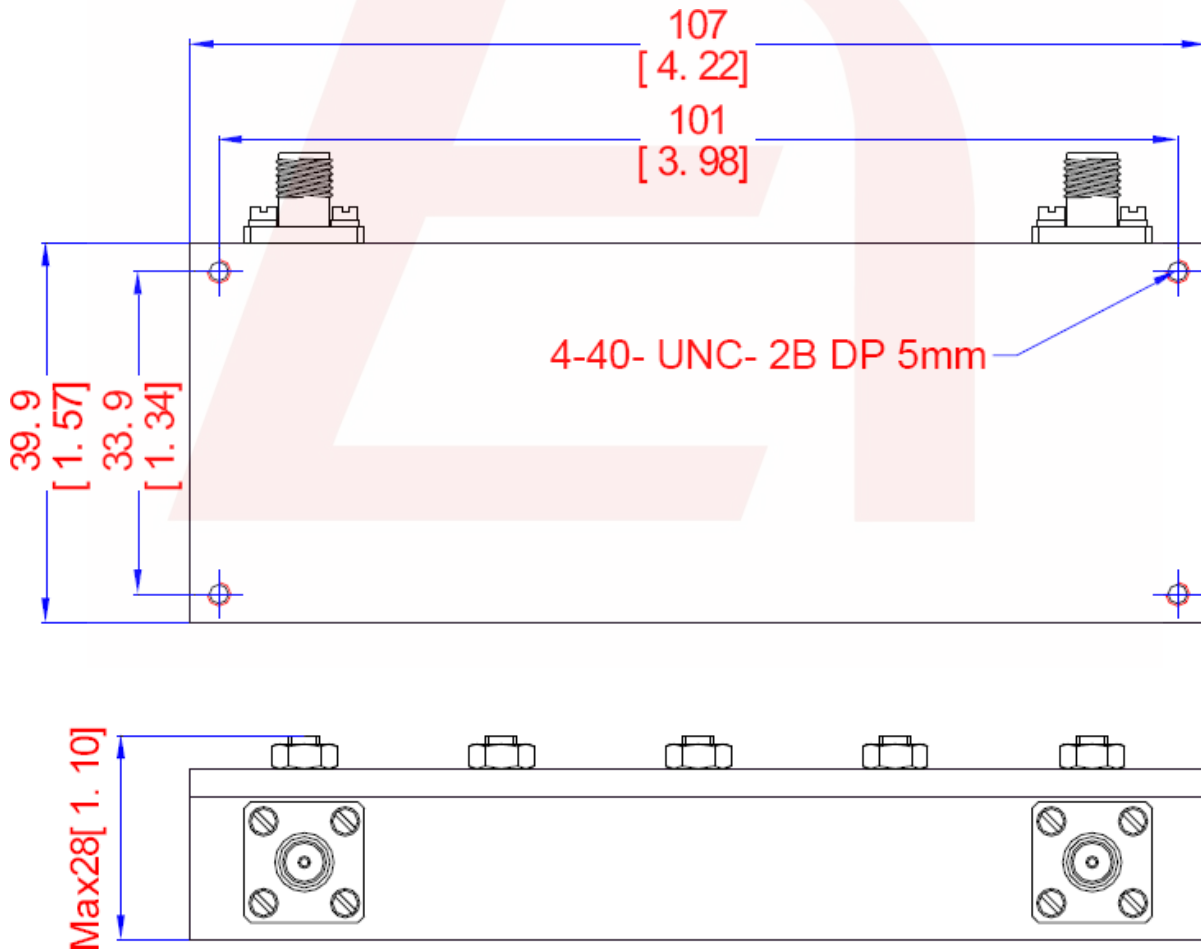
## Mechanical

- Connector Type: SMA (F)
- Dimensions: 4.22 x 1.57 x 1.10 inches

## Environmental

- Operating Temperature: -45 to +85 deg. C
- Storage temperature: -65 to +95 deg. C
- Shock: 20 G's, 1/2 sine, 11ms
- Vibration: 10 G's, 10-2000Hz
- Relative Humidity: 0-95%

## Outline Drawing:



DS-B1196-03152018-Rev1



### Response Plot:

