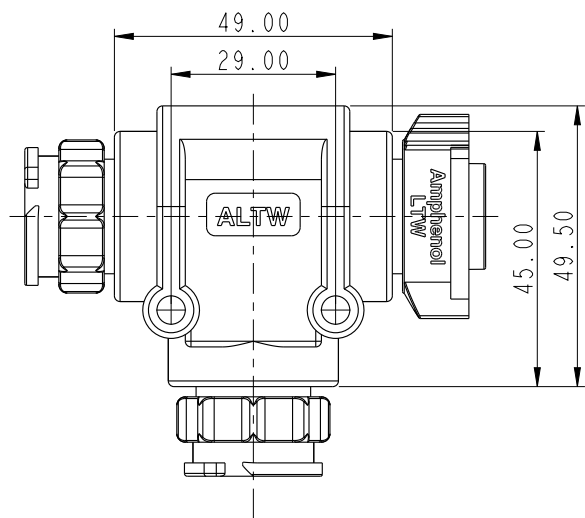
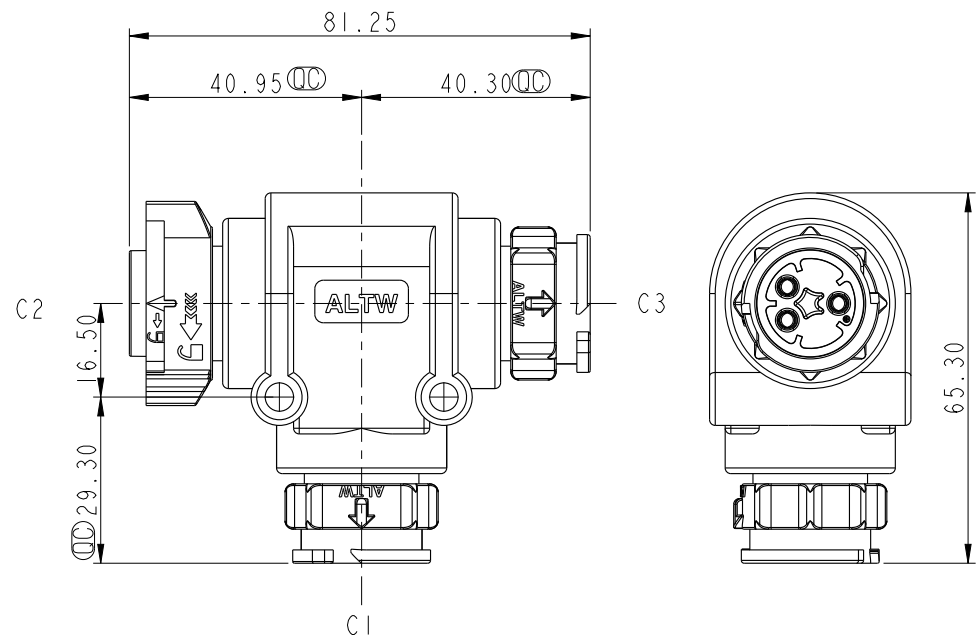
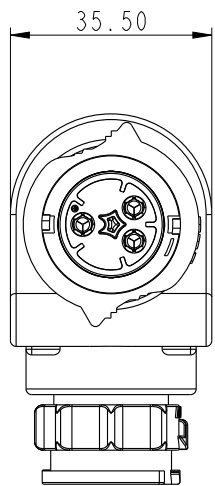
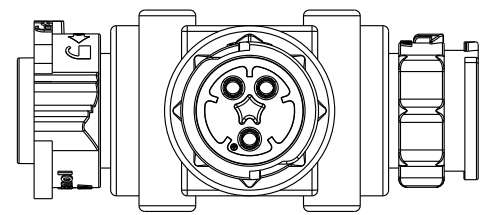


THIS DOCUMENT IS SUBJECT TO CHANGE WITHOUT NOTICE. IT IS CONFIDENTIAL AND A PROPERTY OF Amphenol LTW. DISCLOSURE TO THIRD PARTY HAS TO BE AUTHORIZED BY Amphenol LTW.

REV.	DESCRIPTION



ALTW
CONFIDENTIAL
 2019-09-06
R&D DEPT.



- Note:
- * \varnothing Important Dimension To Check.
 - * Waterproof Rate: IP68(Mated).
 - * Housing: Thermoplastic, Black.
 - * Nut: Thermoplastic, Black.
 - * Pin: Copper Alloy, Gold Plated
 - * O-Ring: Silicone, Gray

UNIT: mm		
TOLERANCE		
±0.5mm		

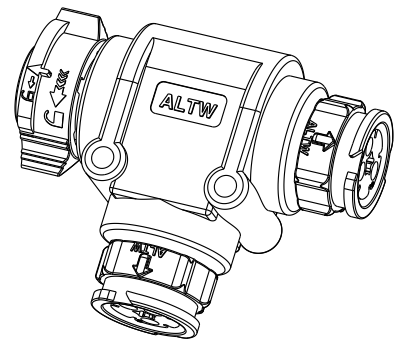
TITLE T Adaptor X-Lok, D Size			
SCALE 1:1	SIZE A4	SHEET 1 OF 2	
REV. A	WC-REV. .0	\varnothing : Inspection item	

Amphenol LTW
安費諾亮泰企業股份有限公司

ITEM NO	DRAWN BY Ouyang	DATE 2019-09-06
DWG NO AB-DC-XXXXXX-HBH-T0001	CHECKED BY Jerry	DATE 2019-09-06
CUSTOMER ALTW	APPROVED BY Fred	DATE 2019-09-06

THIS DOCUMENT IS SUBJECT TO CHANGE WITHOUT NOTICE. IT IS CONFIDENTIAL AND A PROPERTY OF Amphenol LTW. DISCLOSURE TO THIRD PARTY HAS TO BE AUTHORIZED BY Amphenol LTW.

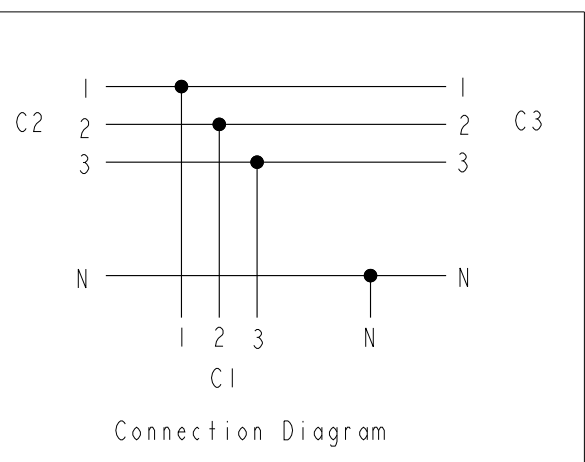
REV.	DESCRIPTION



AB-DC-XXXXXX-HBH-TQ001

Connector Type:

- 02: 2Pin
- 03: 3Pin
-
- N: N Pin



	Pin Assignments Front View					
	3PIN		4PIN		5PIN	
MALE						
Female						
Pin Out	Pin#	Color	Pin#	Color	Pin#	Color
	Pin1	Black(黑)	Pin1	Black(黑)	Pin1	Black(黑)
	Pin3	Red(紅)	Pin2	Brown(棕)	Pin2	Brown(棕)
	Pin5	Yellow(黃)	Pin4	Orange(橙)	Pin3	Red(紅)
			Pin5	Yellow(黃)	Pin4	Orange(橙)

UNIT:mm	
TOLERANCE	±0.5mm

TITLE T Adaptor X-Lok, D Size			
SCALE 1:1	SIZE A4	SHEET 2 OF 2	
REV. A	WC-REV. .0	QC: Inspection item	

Amphenol LTW
安費諾亮泰企業股份有限公司

ITEM NO	DRAWN BY Ouyang	DATE 2019-09-06
DWG NO AB-DC-XXXXXX-HBH-TQ001	CHECKED BY Jerry	DATE 2019-09-06
CUSTOMER ALTW	APPROVED BY Fred	DATE 2019-09-06