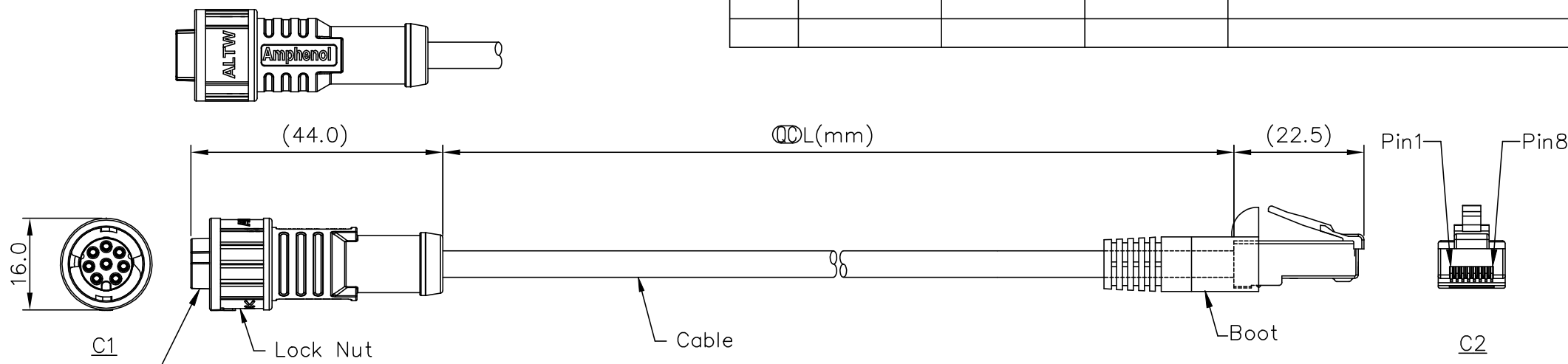


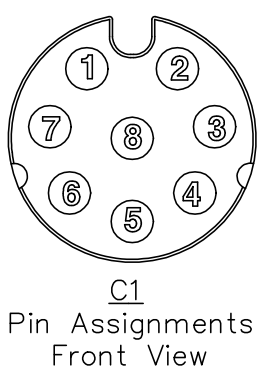
THIS DOCUMENT IS SUBJECT TO CHANGE WITHOUT NOTICE. IT IS CONFIDENTIAL AND A PROPERTY OF Amphenol LTW. DISCLOSURE TO THIRD PARTY HAS TO BE AUTHORIZED BY Amphenol LTW.

REV.	ECN NO.	DATE	SIGN	DESCRIPTION
A		2020-03-16	Allen Pan	Rev.02 To Rev.A



AB-AU08FL-UPBML-QHXXX
 XXX: 0.5~99Meters
 A05: 0.5Meter
 001: 01Meter
 002: 02Meters
 :
 :
 099: 99Meters

- Note:
- * \varnothing Important Dimension To Check.
 - * C1
 Waterproof Rate: IP68, Mated.
 Housing: Thermoplastic, Black.
 Pin: Copper Alloy, Gold Plated.
 Lock Nut: Thermoplastic, Black.
 O-Ring: Rubber, Black.
 - * C2
 Plug: RJ45 Plug, 8P8C.
 - * Cable: CAT-5E, UTP, 24#*4P.
 PVC Jacket, OD=6mm, Black.
 - * Cable Length Tolerance:
 $\leq 0.3M$: +25/-0mm.
 $> 0.3M \sim 1.5M$: +60/-0mm.
 $> 1.5M \sim 3M$: +120/-0mm.
 $> 3M \sim 5M$: +160/-0mm.
 $> 5M \sim 10M$: $\pm 100mm$.
 $> 10M \sim 20M$: $\pm 200mm$.
 $> 20M \sim 30M$: $\pm 300mm$.
 $> 30M \sim 100M$: $\pm 500mm$.



8	Brown	棕	8
7	White/Brown	白/棕	7
6	Green	綠	6
5	White/Blue	白/藍	5
4	Blue	藍	4
3	White/Green	白/綠	3
2	Orange	橙	2
1	White/Orange	白/橙	1
C1	Wire Color		C2

Twist 對線
 Twist 對線
 Twist 對線

UNIT: mm

TOLERANCE

± 0.5 mm

TITLE
 XLOK, A-2A, DOUBLE-ENDED, F, 08P

SCALE Free SHEET 1 OF 1

REV. A SIZE A4 \varnothing : Inspection Item

Amphenol LTW
 安費諾亮泰企業股份有限公司

ITEM NO

DWG NO
 AB-AU08FL-UPBML-QHXXX

CUSTOMER
 ALTW

DRAWN BY
 Allen Pan

CHECKED BY
 Sam Ho

APPROVED BY
 Fred Lee

DATE
 2020-03-16

DATE
 2020-03-16

DATE
 2020-03-16