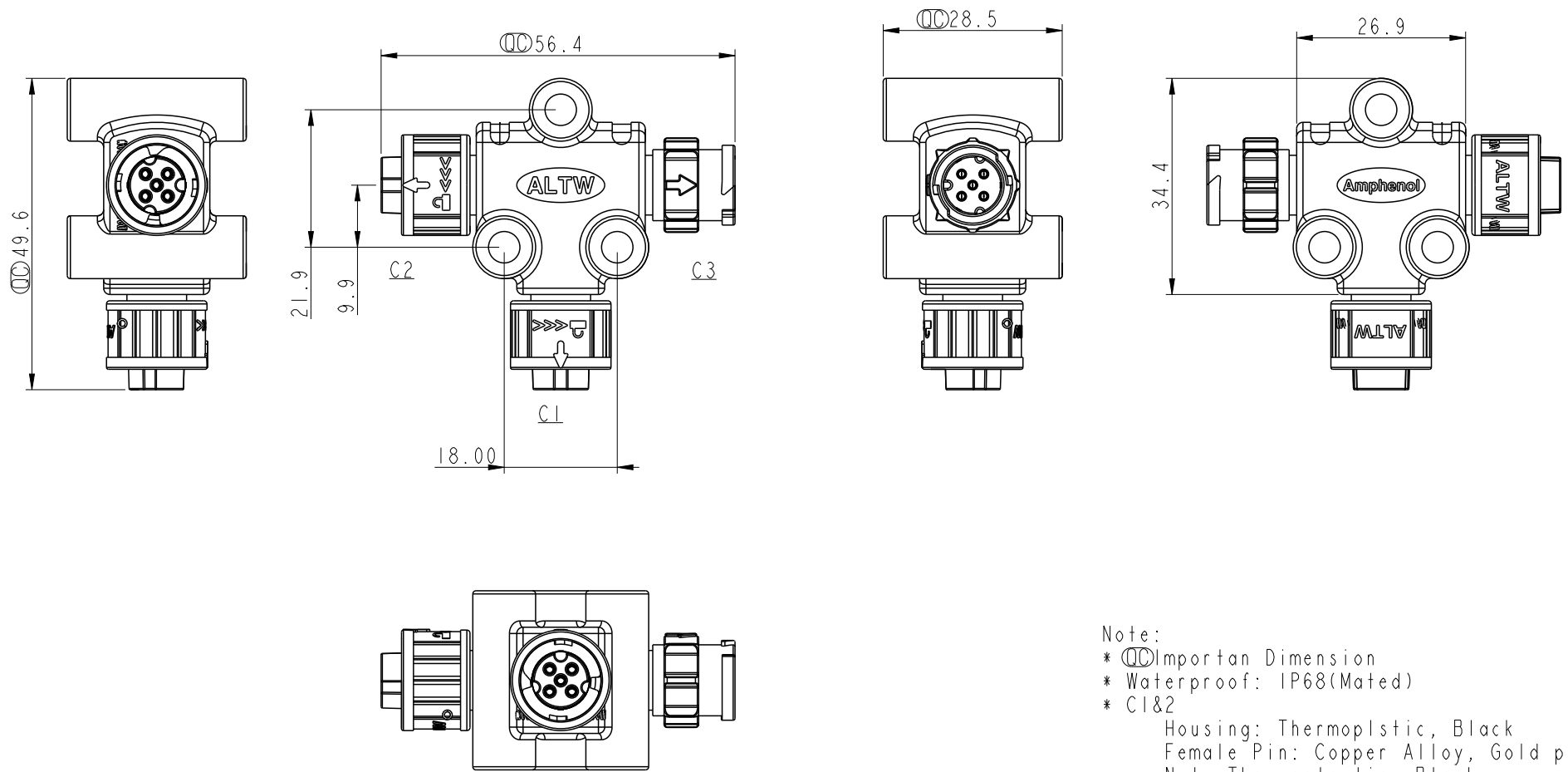


THIS DOCUMENT IS SUBJECT TO CHANGE WITHOUT NOTICE. IT IS CONFIDENTIAL AND A PROPERTY OF AMPHENOL LTW. DISCLOSURE TO THIRD PARTY HAS TO BE AUTHORIZED BY AMPHENOL LTW.

REV.	ECN NO.	DATE	SIGN	DESCRIPTION
A		2020/01/16	Eric	Initial Release



Note:  
 \*  $\varnothing$  Important Dimension  
 \* Waterproof: IP68(Mated)  
 \* C1&2  
 Housing: Thermoplastic, Black  
 Female Pin: Copper Alloy, Gold plated  
 Nut: Thermoplastic, Black  
 \* C3  
 Housing: Thermoplastic, Black  
 Male Pin: Copper Alloy, Gold plated

UNIT:mm

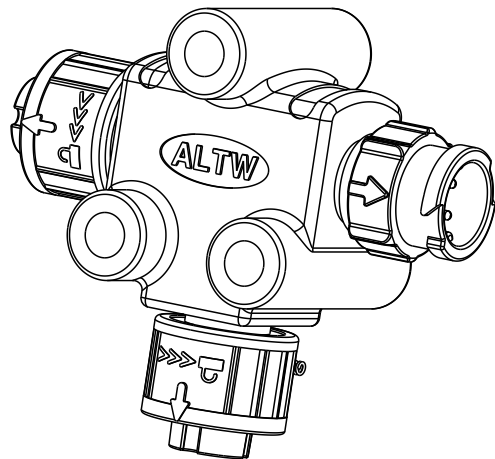
TOLERANCE  $\pm 0.50\text{mm}$

TITLE X Lok A Size T Adaptor FFM			
SCALE 1:1	SIZE A4	SHEET 1 OF 2	
REV. A	WC-REV. A.1	$\varnothing$ : Inspection item	

**Amphenol LTW**  
 安費諾亮泰企業股份有限公司

ITEM NO. AB-AD-XXXXXX-FFM-TQ001	DRAWN BY Eric	DATE 2020/01/16
DWG NO. AB-AD-XXXXXX-FFM-TQ001	CHECKED BY Brady	DATE 2020/01/16
CUSTOMER ALTW	APPROVED BY Neo	DATE 2020/01/16

THIS DOCUMENT IS SUBJECT TO CHANGE WITHOUT NOTICE. IT IS CONFIDENTIAL AND A PROPERTY OF Amphenol LTW. DISCLOSURE TO THIRD PARTY HAS TO BE AUTHORIZED BY Amphenol LTW.

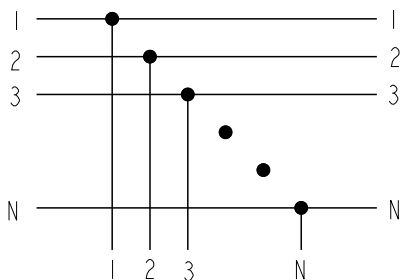


AB-AD-XXXXXX-FFM-TQ001

Connector Type:

02: 2Pin  
03: 3Pin

N: N Pin



Connection Diagram

Pin Assignment Front View

	Pin Assignment Front View			
	2PIN	3PIN	4PIN	5PIN
Female				
Male				
Pin Out	Pin 1 Pin 3	Pin 1 Pin 3 Pin 4	Pin 1 Pin 2 Pin 3 Pin 4	Pin 1 Pin 2 Pin 3 Pin 4 Pin 5
	Color Green Black	Color Green Black White	Color Green Red Black White	Color Green Red Black White Blue

UNIT: mm

TOLERANCE ±0.50mm

TITLE X Lok A Size  
T Adaptor FFM

SCALE 1:1 SIZE A4 SHEET 2 OF 2

REV. A WC-REV. A.1 Inspection item

**Amphenol LTW**  
安費諾亮泰企業股份有限公司

ITEM NO AB-AD-XXXXXX-FFM-TQ001 DRAWN BY Eric DATE 2020/01/16

DWG NO AB-AD-XXXXXX-FFM-TQ001 CHECKED BY Brady DATE 2020/01/16

CUSTOMER ALTW APPROVED BY Neo DATE 2020/01/16