



10W Wall Mount Adapter - EU



Features

- Fixed Blade AC Input
- Ecodesign/ErP Lot 7 (EU) 2019/1782 Compliance
- CoC Version 5 Tier 2 Compliance
- Limited Power Source
- Class B EMI
- AA10E-050A(M)-R charging scheme: Data Lines (Pins 2 and 3) Shorted

Applications

- MPEG Players
- Personal Electronics
- PDAs
- Digital Cameras

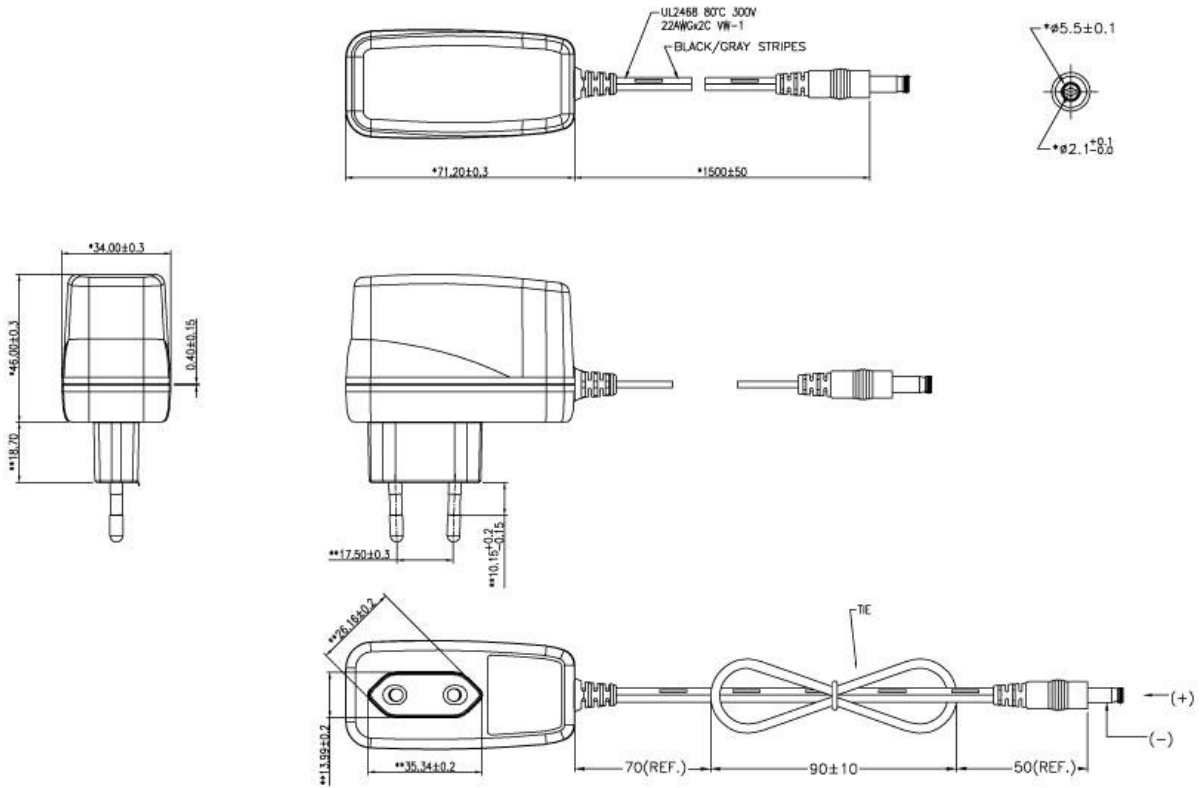


AA10E Specifications¹

Model		AA10E-050A-R	AA10E-050A(M)-R ⁴	
Output	DC Output Voltage	5.0V		
	Max Current	2.0A		
	Output Power	10.0W		
	Regulation	± 1% Line		
	Ripple & Noise P-P(max) ²	200mV		
Input	AC Input Voltage Range	90 to 264VAC		
	AC Input Frequency	47 to 63Hz		
	Input Current	0.3A(RMS) max @115VAC/60Hz		
	No Load Power Consumption at 115VAC Input	0.0386W		
	No Load Power Consumption at 230VAC Input	0.062W		
	115VAC Average Efficiency ³	80.74%		
	230VAC Average Efficiency ³	80.55%		
	230VAC 10% Load Efficiency ³	78.04%		
Protection	Leakage Current	20uA max @254VAC/50Hz		
	Over-Voltage	9.0V max		
	Short Circuit	The output can be shorted without damage		
Environmental	Over-Current	2.2A max		
	Operating Temperature	0°C to +40°C		
	Non-Operating Temperature	-20° to +85°C		
Environmental	Operating Humidity	To 85% Relative Humidity		
	Safety Approvals and EMC	Dielectric Withstand (HI-POT)	Primary to Secondary: 3000VAC for 1min, 10mA	
		Insulation Resistance	Primary to Secondary: 10M ohm for 500VDC	
Standards		IEC 62368-1		
EMI Emissions		EN 55032/CISPR 32 Class B Conducted and Radiated		
Harmonic Current Emissions		IEC 61000-3-2		
Voltage Fluctuations & Flicker		IEC 61000-3-3		
Immunity		EN 55024/CISPR 24, EN 55035/CISPR 35: IEC 61000-4-2 (+/- 8kV air, +/- 4kV contact), IEC 61000-4-3, IEC 61000-4-4, IEC 61000-4-5 (+/- 1kV), IEC 61000-4-6, IEC 61000-4-8, IEC 61000-4-11		
Mechanical	Dimensions (L x W x H)	71.2mm (2.80in) x 34mm (1.34in) x 64.7mm (2.55in)		
	Weight	75.5g		
	Cable Length	1500mm		
	DC Cable Type	22 AWG		
	DC Output Connector	2.1mm x 5.5mm x 9.5mm	USB Micro-B	
Notes	<ol style="list-style-type: none"> The specifications defined are at ambient temperature of 25°C, unless otherwise specified. 20MHz bandwidth frequency oscilloscope, add a 0.1µF multilayer Cap. and Low ESR Electrolytic Cap. (10µF) at output connector terminals (nominal line voltage, full load). Efficiency is measured after 30 minutes burn-in. The charging scheme: Data Lines (Pins 2 and 3) Shorted. 			



AA10E-050A-R Outline Drawing





AA10E-050A(M)-R Outline Drawing

