

MATERIALS & SPECIFICATIONS

INSULATORS

THERMOPLASTIC PER ASTM D5138

CONTACT MATERIAL

PINS - BERYLLIUM COPPER PER ASTM B194, ALLOY C17200
 SOCKET - COPPER ALLOY PER MIL-DTL-32139

CONTACT FINISH

GOLD PLATE PER ASTM B488, TYPE II (HARD GOLD), CODE C, CLASS 1.27

TERMINATION FINISH ON STANDARD (NON-RoHS)

INTEGRAL TAILS
 PIN - SOLDER COATED WITH SN63 PER J-STD-006 OR SN60 PER AMS-P-81728

CURRENT RATING

1 AMP PER MIL-DTL-32139

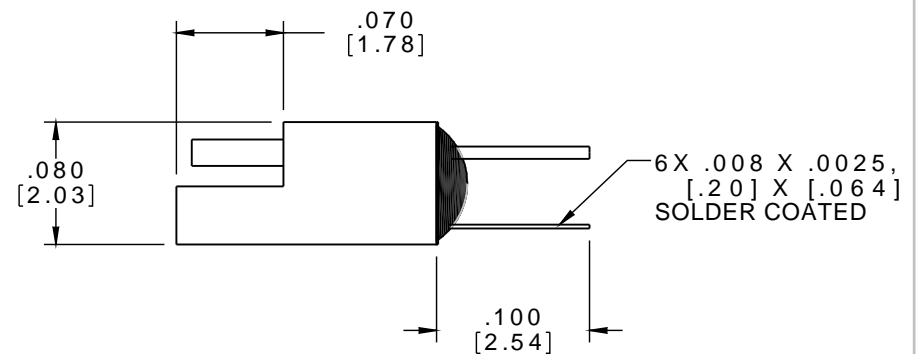
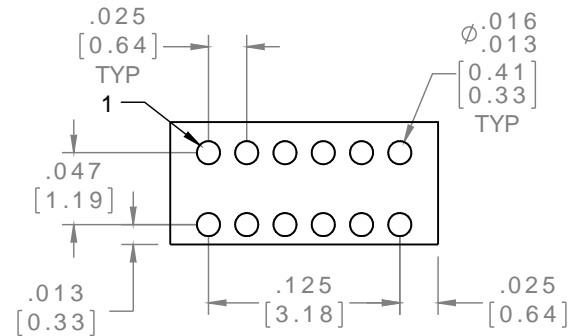
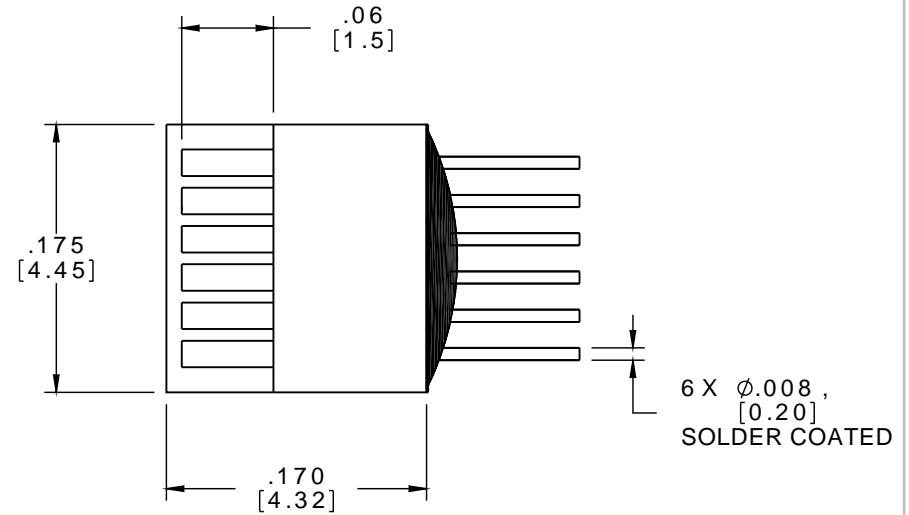
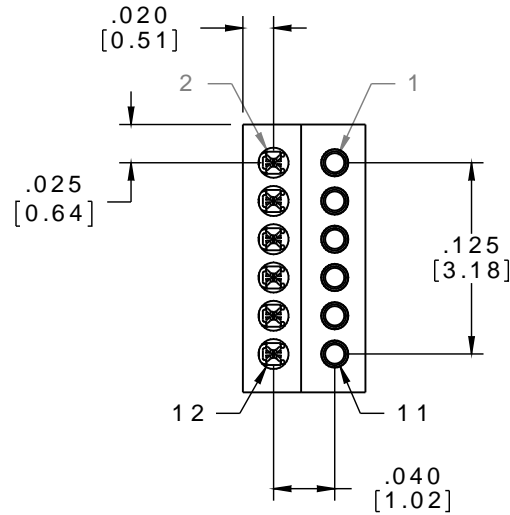
CONTACT RESISTANCE

71 MILLIOHM MAX (71mV DROP MAX) @ 1.0 AMPS PER MIL-DTL-32139

PERFORMANCE

PRODUCT FAMILY TESTED TO AND PASSED THE PERFORMANCE SPECIFICATIONS OF TABLE VIII OF MIL-DTL-32139

PART NO.	A 79624-001	REV	ECO	DATE	APP
		E	99309	02-27-13	TLM



SUGGESTED PAD LAYOUT



ACTUAL SIZE

NOTE:

DIMENSIONS IN [] ARE IN MILLIMETERS UNLESS OTHERWISE NOTED AND ARE FOR REFERENCE ONLY

PZN SLDW	THIRD ANGLE
	-TOLERANCES- UNLESS OTHERWISE NOTED
	DIMENSIONS IN INCHES
	2 PL DEC ± .01 3 PL DEC ± .005 4 PL DEC ± .0005 ANGLES ± 1°

THIS DRAWING CONTAINS CONFIDENTIAL AND PROPRIETARY INFORMATION WHICH IS THE PROPERTY OF OMNETICS CONNECTOR CORP. THIS DOCUMENT MAY NOT, IN WHOLE OR IN PART, BE DUPLICATED, OR DISCLOSED FOR ANY PURPOSE, WITHOUT WRITTEN PERMISSION FROM OMNETICS CONNECTOR CORP.	
DFTM. NJS	DATE 08-24-09
CHK'D.	DATE
APP'D.	DATE

TITLE:
 (12) CONTACT POLARIZED
 MALE/FEMALE
 NANO CONNECTOR

OMNETICS
 CONNECTOR CORPORATION
 7260 COMMERCE CIRCLE EAST
 MINNEAPOLIS, MN 55432
 WWW.OMNETICS.COM

CAGE CODE 61873
DWG NO. A79624-001
SHEET 1 OF 1
SCALE: 8:1
REV E