

MATERIALS & SPECIFICATIONS

INSULATOR:  
THERMOPLASTIC PER MIL-M-24519, TYPE GLCP-30F OR GST-40F NATURAL

CONTACT:  
BERYLLIUM COPPER PER ASTM B194, C17200. GOLD PLATED PER ASTM B488, (HARD GOLD) TYPE II CODE C CLASS 1.27

TERMINATION:  
SOLDER COATED PER J-STD-006 OR PLATED PER AMS-P-81728

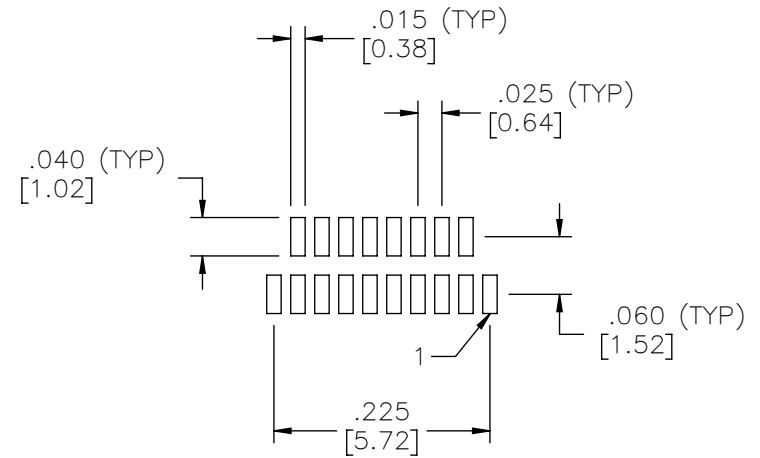
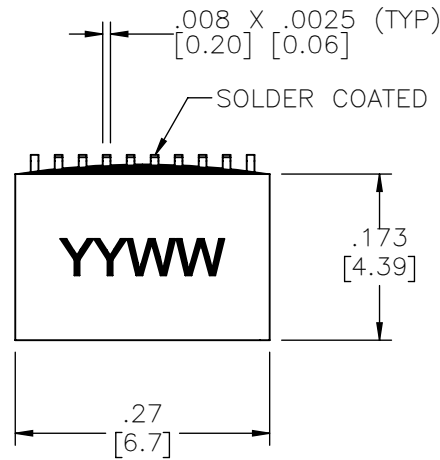
CURRENT CAPACITY:  
1 AMP MAX PER MIL-DTL-32139

CONTACT RESISTANCE:  
71 MILLIOHMS (71mV) MAX @ 1.0 AMPS PER MIL-DTL-32139

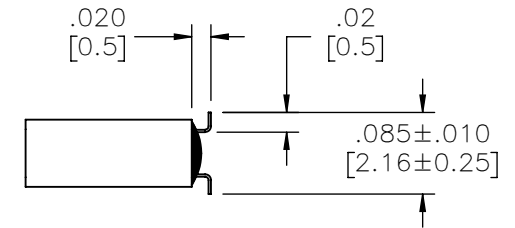
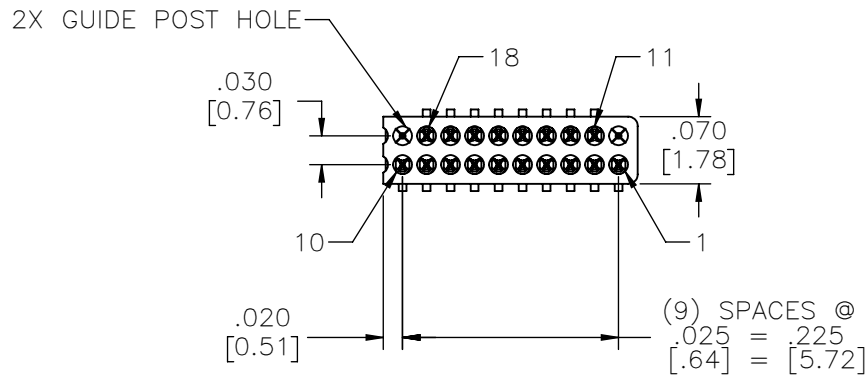
PART NO.	A79041-001	REV	ECO	DATE	APP
		D	104782	09-04-18	TLM



ACTUAL SIZE



SUGGESTED PAD LAYOUT



NOTE:

DIMENSIONS IN [ ] ARE IN MILLIMETERS UNLESS OTHERWISE NOTED AND ARE FOR REFERENCE ONLY

MPD SLDW	THIRD ANGLE	THIS DRAWING CONTAINS CONFIDENTIAL AND PROPRIETARY INFORMATION WHICH IS THE PROPERTY OF OMNETICS CONNECTOR CORP. THIS DOCUMENT MAY NOT, IN WHOLE OR IN PART, BE DUPLICATED, OR DISCLOSED FOR ANY PURPOSE, WITHOUT WRITTEN PERMISSION FROM OMNETICS CONNECTOR CORP.		<b>OMNETICS</b> CONNECTOR CORPORATION 7260 COMMERCE CIRCLE EAST MINNEAPOLIS, MN 55432 WWW.OMNETICS.COM	CAGE CODE <b>61873</b>	
	-TOLERANCES-	DFTM. TLM	DATE		DWG NO. <b>A79042-001</b>	
	UNLESS OTHERWISE NOTED	CHK'D.	DATE		SHEET 1 OF 1	
	DIMENSIONS IN INCHES	APP'D.	DATE		REV <b>D</b>	
2 PL DEC ± .01	(18) PIN MALE NANO		SCALE: 5:1			
3 PL DEC ± .005	DUAL ROW CONNECTOR					
4 PL DEC ± .0005	W/GUIDE POST HOLES					
ANGLES ± 1°						