

PART NO.	A79040-001	REV	ECO	DATE	APP
		D	104764	08-27-18	HV

**MATERIALS & SPECIFICATIONS**

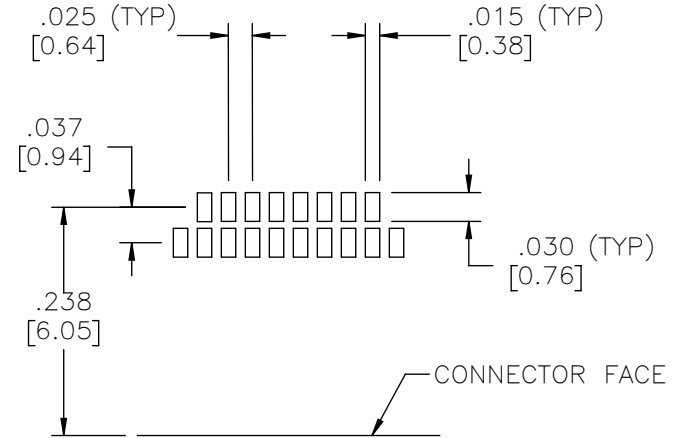
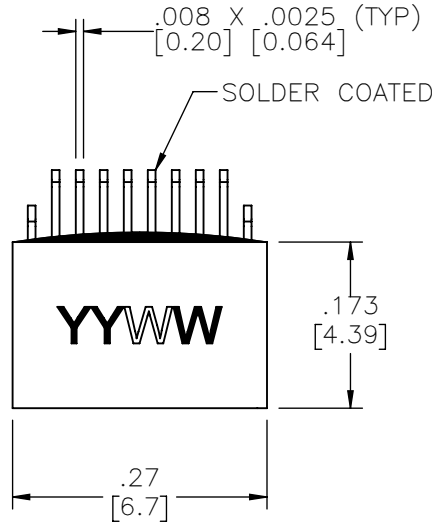
**INSULATOR:**  
 THERMOPLASTIC PER MIL-M-24519, TYPE GLCP-30F OR GST-40F NATURAL

**CONTACT:**  
 BERYLLIUM COPPER PER ASTM B194, C17200. GOLD PLATED PER ASTM B488, (HARD GOLD) TYPE II CODE C CLASS 1.27 (CONTACT MATING AREA ONLY)

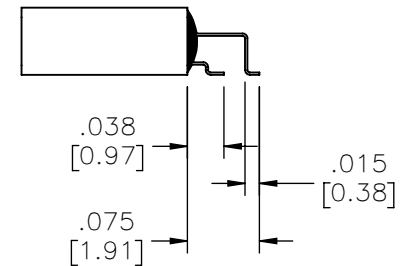
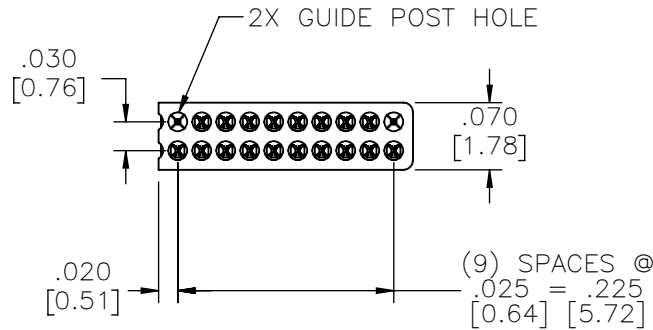
**TERMINATION:**  
 SOLDER COATED PER J-STD-006 OR PLATED PER AMS-P-81728

**CURRENT CAPACITY:**  
 1 AMP MAX PER MIL-DTL-32139

**CONTACT RESISTANCE:**  
 71 MILLIOHMS (71mV) MAX @ 1.0 AMPS PER MIL-DTL-32139



SUGGESTED PAD LAYOUT



**NOTE:**

DIMENSIONS IN [ ] ARE IN MILLIMETERS UNLESS OTHERWISE NOTED AND ARE FOR REFERENCE ONLY

MCTS DWG SHEET	THIRD ANGLE	THIS DRAWING CONTAINS CONFIDENTIAL AND PROPRIETARY INFORMATION WHICH IS THE PROPERTY OF OMNETICS CONNECTOR CORP. THIS DOCUMENT MAY NOT, IN WHOLE OR IN PART, BE DUPLICATED, OR DISCLOSED FOR ANY PURPOSE, WITHOUT WRITTEN PERMISSION FROM OMNETICS CONNECTOR CORP.	
	-TOLERANCES-	DFTM. TLM	DATE 04-08-09
	UNLESS OTHERWISE NOTED	CHK'D.	DATE
	DIMENSIONS IN INCHES	APP'D.	DATE
2 PL DEC ± .01	TITLE: (18) PIN MALE NANO DUAL ROW CONNECTOR W/GUIDE POST HOLES		
3 PL DEC ± .005			
4 PL DEC ± .0005			
ANGLES ± 1°			

**OMNETICS**  
 CONNECTOR CORPORATION  
 7260 COMMERCE CIRCLE EAST  
 MINNEAPOLIS, MN 55432  
 WWW.OMNETICS.COM

CAGE CODE 61873	
DWG NO. A79040-001	
SHEET 1 OF 1	REV D
SCALE: 5:1	