

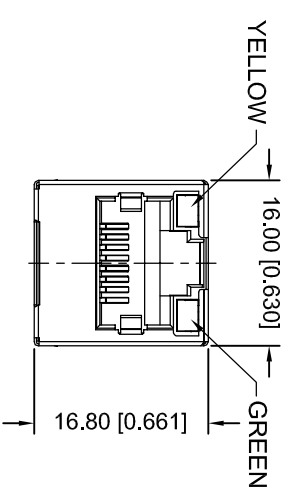
THIS IS A C.A.D. GENERATED DRAWING
DO NOT MAKE MANUAL REVISIONS TO MASTER.
UNLESS OTHERWISE STATED ALL DIMENSIONS ARE
TOLERANCED TO $\pm 0.254 [0.010]$



ISSUE NUMBER

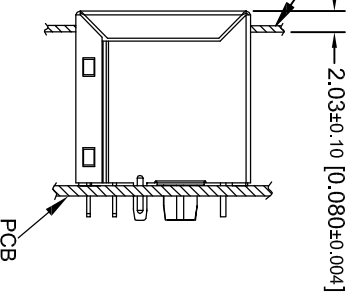
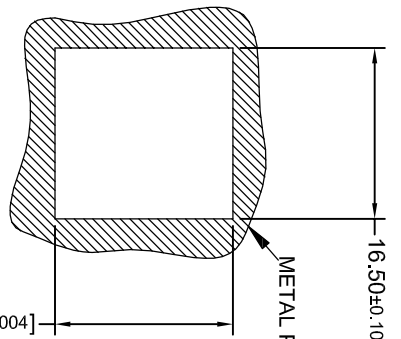
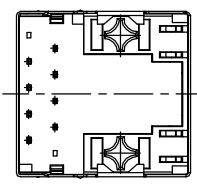
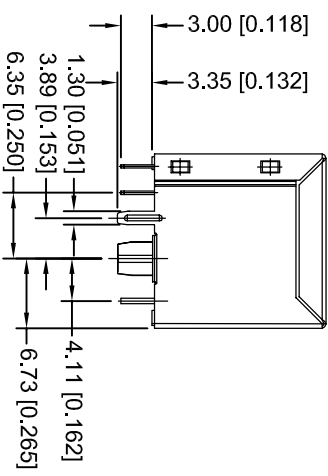
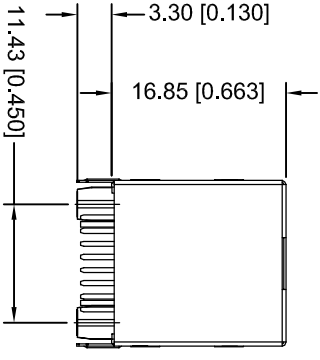
ORIGINAL ①

DIM UPDATE-C.B 10.3.16 ②

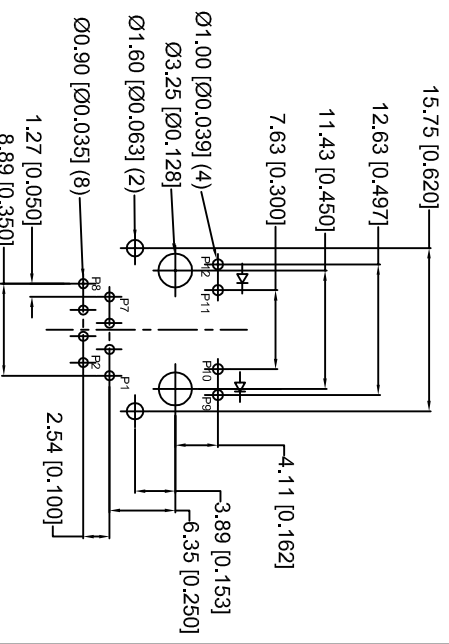


LED SPECIFICATION			
STANDARD LED	WAVELENGTH	Forward Voltage	TYPE
GREEN	565nm	2.4V	2.2V
YELLOW	590nm	2.5V	2.1V

*WITH A FORWARD CURRENT OF 20mA



SUGGESTED PANEL
OPENING



RECOMMENDED PCB LAYOUT

UNIT: mm [in]
TOL: ± 0.10 [0.004]

- NOTES:
- CONNECTOR MATERIAL:
HOUSING: THERMOPLASTIC UL94 V-0
SHIELD: BRASS
SHIELD PLATING: NICKEL
CONTACT: COOPER ALLOY
CONTACT PLATING: SELECTIVE GOLD 6 MICRO-INCHS MIN IN CONTACT AREA
 - PIN NOT ELECTRICALY CONNECTED MAYBE OMITTED
SEE ELECTRICAL DRAWING FOR OMITTED PINS
 - RJ45 CAVITIES CONFORM TO FCC RULES AND REGULATION PART 68.
 - THE PART IS RECOMMENDED FOR WAVE SOLDERING PROCESS
PEAK SOLDERING TEMPERATURE IS 260°C MAX; 10 SECS MAX
 - OPERATING TEMPERATURE T=0°C TO 70°C
 - STORAGE TEMPERATURE T=-40°C TO 85°C
 - ALL CRITICAL DIMENSIONS WITH ***

RJ45 MAGNETIC JACK WITH LED, VERTICAL, 8P, 8C
SHIELDED, 10/100Mbps FILTER

ACAD REFERENCE NO. A63-112-413P112		DATE: OCT 03/16	
DRAWN: C.B		DATE:	
CHECKED:		SHEET 1 OF 2	
SCALE: (IN C.A.D. 1:1)		ISSUE	
DRAWING NUMBER		2	
A63-112-413P112			



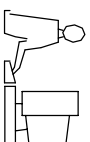
THIS SERIES FULLY CONFORMS TO
THE EUROPEAN UNION DIRECTIVES
FOR RoHS COMPLIANT



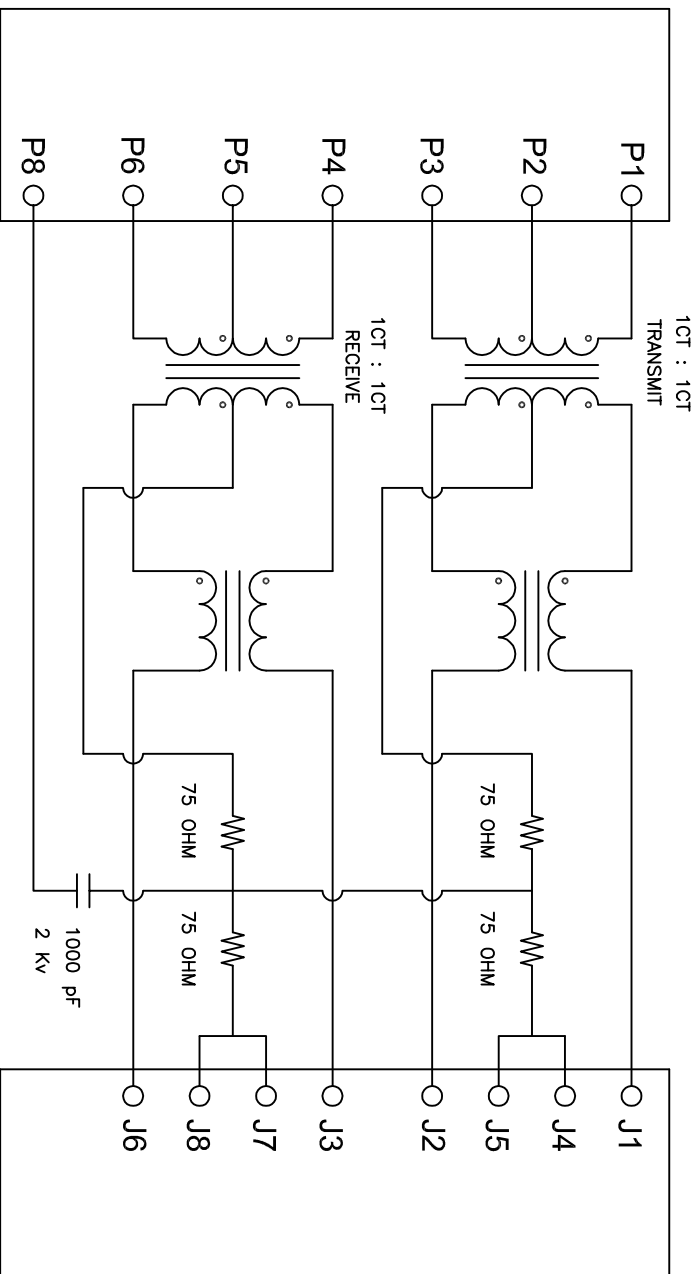
EDAC INC
TORONTO, ONTARIO
CANADA

THESE DRAWINGS AND SPECIFICATIONS
ARE THE PROPERTY OF EDAC INC. AND
SHALL NOT BE REPRODUCED OR COPIED
OR USED AS THE BASIS FOR THE
MANUFACTURE OR SALE OF APPARATUS
WITHOUT WRITTEN PERMISSION.

YOUR CONNECTION TO QUALITY & SERVICE



CONNECTOR SOLDER SIDE



TEST NOTES:(25±5°C)

1. TR: @100KHZ:

PINS:(P1-P3):(J1-J2)=1:1±2%

PINS:(P4-P6):(J3-J6)=1:1±2%

2.LX:(100KHZ, 100mV, 8mA, DC Bias)

PINS: (P1, P3),(P4, P6)=350uH MINIMUM

3.DC RESISTANCE:

PINS:(J1-J2),(J3-J6)= 1.2 OHMS MAXIMUM

4.HIPOT:

PINS:(P1, P3)TO(J1, J2)=1500VAC

PINS:(P4, P6)TO(J3, J6)=1500VAC

5.INSERTION LOSS: RS = RL = 100 OHM

-1.0dB MAXIMUM AT 1MHZ TO 100MHZ:

6.RETURN LOSS:

-18dB MINIMUM AT 1MHZ TO 30MHZ:

-16dB MINIMUM AT 30MHZ TO 60MHZ

-16dB MINIMUM AT 30MHZ TO 60MHZ

7.CROSS TALK:

-30dB min AT 1MHZ TO 100MHZ

8.COMMON TO COMMON MODE ATTENUATION:

-30dB TYPICAL AT 1MHZ TO 100MHZ

9. LEAKAGE INDUCTANCE:

PINS: P1-P3, WITH J1-J2 SHORTED=0.35 uH MAX @1MHZ

PINS: P4-P6, WITH J3-J6 SHORTED=0.35 uH MAX @1MHZ

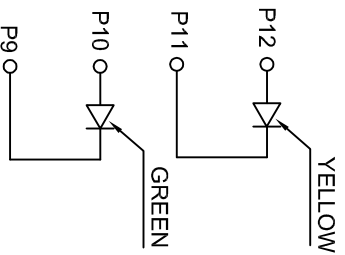
10. INTERWINDING CAPACITANCE:

PINS:(P1-P3):(J1-J2)= 40 pF MAX @1MHZ

PINS:(P4-P6):(J3-J6)= 40 pF MAX @1MHZ

11. ISOLATION: PHY SIDE TO LINE SIDE: 1500VAC or 2250VDC

LED CIRCUIT:



LED SPECIFICATIONS (WITH FORWARD CURRENT OF 20 mA)			
STANDARD LED	WAVELENGTH	FORWARD V (MAX)	TYP
GREEN	565 nm	2.4 V	2.2 V
YELLOW	590 nm	2.5 V	2.1 V

RJ45 MAGNETIC JACK WITH LED, VERTICAL, 8P, 8C
SHIELDED, 10/100Mbps FILTER

ACAD REFERENCE NO. A63-112-413P112

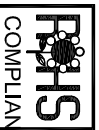
DRAWN: C.B DATE: OCT. 03/16

CHECKED: DATE:

SCALE: N.T.S SHEET 2 OF 2

DRAWING NUMBER ISSUE

A63-112-413P112 2



THIS SERIES FULLY CONFORMS TO
THE EUROPEAN UNION DIRECTIVES
2011/65/EU FOR ROHS COMPLIANCY.



EDAC INC
TORONTO, ONTARIO
CANADA
YOUR CONNECTION TO QUALITY & SERVICE

THESE DRAWINGS AND SPECIFICATIONS
ARE THE PROPERTY OF EDAC INC. AND
SHALL NOT BE REPRODUCED OR COPIED
OR USED AS THE BASIS FOR THE
MANUFACTURE OR SALE OF APPARATUS
WITHOUT WRITTEN PERMISSION.