

MATERIALS & SPECIFICATIONS

PART NO.	A24002-008	REV	ECO	DATE	APP
		B	104034	12-07-17	TLM

INSULATOR:
 POLYPHENYLENE SULFIDE (PPS)
 PER MIL-M-24519, TYPE GST
 40F.

CONTACT:
 BERYLLIUM COPPER PER ASTM
 B194, C17200. GOLD PLATED
 PER ASTM B488, (HARD GOLD)
 TYPE II CODE C CLASS 1.27.

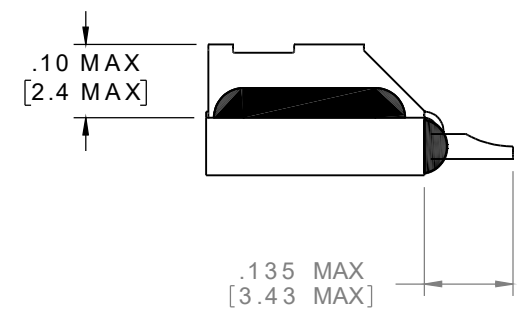
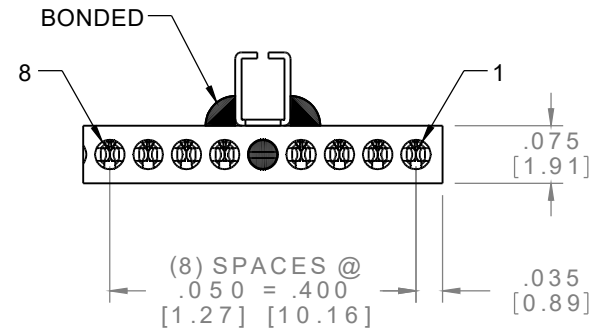
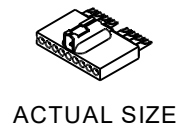
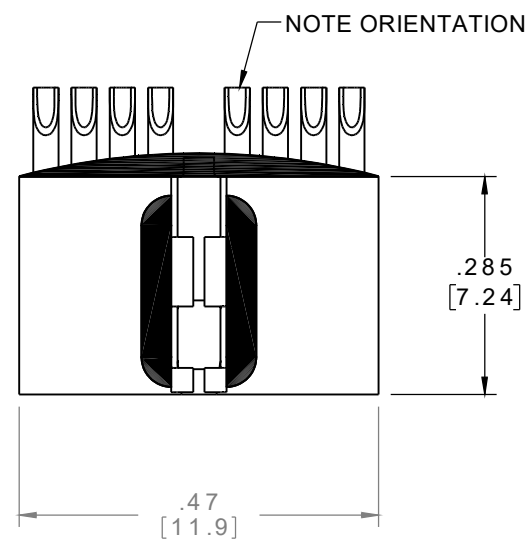
TERMINATION:
 SOLDER PLATED PER AMS-P-
 81728.

LATCH BOX:
 BERYLLIUM COPPER PER ASTM
 B194 NICKEL PLATE PER SAE-
 AMS-2404

CURRENT CAPACITY:
 3 AMP MAX.

CONTACT RESISTANCE:
 26 MILLIOHMS (65mV) MAX @
 2.5 AMPS.

PERFORMANCE:
 PRODUCT FAMILY TESTED TO AND
 PASSED THE PERFORMANCE
 SPECIFICATIONS OF TABLE VII OF
 MIL-DTL-83513.



NOTE:
 DIMENSIONS IN [] ARE IN
 MILLIMETERS UNLESS
 OTHERWISE NOTED AND ARE
 FOR REFERENCE ONLY

PST SLDW	THIRD ANGLE	THIS DRAWING CONTAINS CONFIDENTIAL AND PROPRIETARY INFORMATION WHICH IS THE PROPERTY OF OMNETICS CONNECTOR CORP. THIS DOCUMENT MAY NOT, IN WHOLE OR IN PART, BE DUPLICATED, OR DISCLOSED FOR ANY PURPOSE, WITHOUT WRITTEN PERMISSION FROM OMNETICS CONNECTOR CORP.	
	-TOLERANCES- UNLESS OTHERWISE NOTED	DFTM. MJM	DATE 03-29-13
	DIMENSIONS IN INCHES	CHK'D.	DATE
	2 P L DEC ± .01 3 P L DEC ± .005 4 P L DEC ± .0005 ANGLES ± 1°	APP'D.	DATE

TITLE:
 (8) PIN MALE
 SINGLE ROW CONNECTOR
 W/LATCH

OMNETICS
 CONNECTOR CORPORATION
 7260 COMMERCE CIRCLE EAST
 MINNEAPOLIS, MN 55432
 WWW.OMNETICS.COM

CAGE CODE 61873	DWG NO. A24002-008
SHEET 1 OF 1	REV B
SCALE: 4:1	