

PART NO.	A 22050-001	REV	ECO	DATE	APP
		D	107086	03-04-21	ARJ

MATERIALS & SPECIFICATIONS

INSULATOR:

LIQUID CRYSTAL POLYMER (LCP) PER ASTM D5138.

CONTACT:

BERYLLIUM COPPER PER ASTM B194, C17200. GOLD PLATED PER ASTM B488, (HARD GOLD) TYPE II CODE C CLASS 1.27 (CONTACT MATING AREA ONLY)

TERMINATION:

SOLDER PLATED PER AMS-P-81728.

LATCH SPRING:

BERYLLIUM COPPER PER ASTM B194 NICKEL PLATE (100 MICROINCHES MINIMUM) PER SAE-AMS-2404

CURRENT CAPACITY:

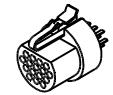
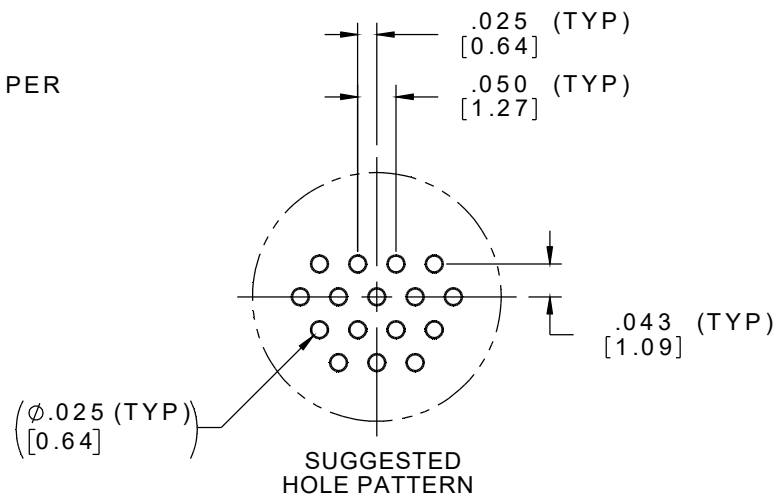
3 AMP MAX.

CONTACT RESISTANCE:

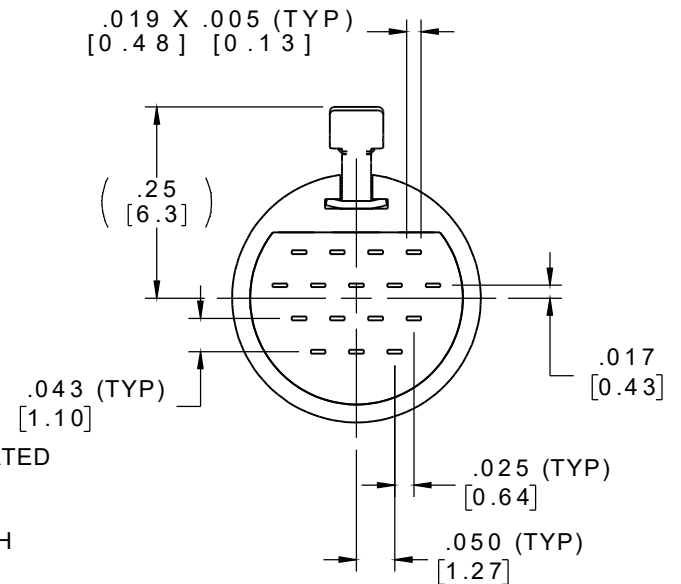
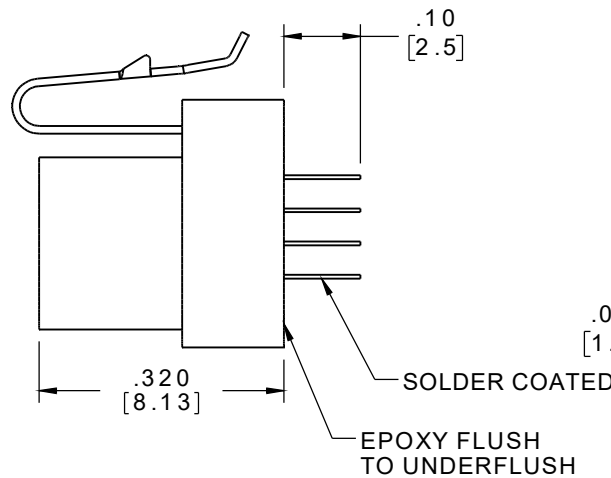
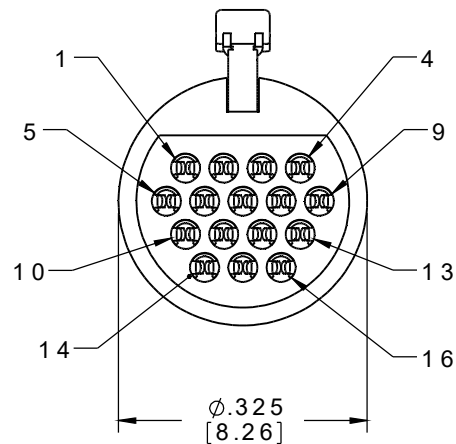
26 MILLIOHMS (65mV) MAX @ 2.5 AMPS.

PERFORMANCE:

PRODUCT FAMILY TESTED TO AND PASSED THE PERFORMANCE SPECIFICATIONS OF TABLE VII OF MIL-DTL-83513.



ACTUAL SIZE



REF: OMNETICS

NOTE:

DIMENSIONS IN [] ARE IN MILLIMETERS UNLESS OTHERWISE NOTED AND ARE FOR REFERENCE ONLY

MCP	THIRD ANGLE ϕ \oplus \ominus
	-TOLERANCES- UNLESS OTHERWISE NOTED DIMENSIONS IN INCHES
SLDW	2 PL DEC \pm .01
	3 PL DEC \pm .005
	4 PL DEC \pm .0005
	ANGLES \pm 1°

THIS DRAWING CONTAINS CONFIDENTIAL AND PROPRIETARY INFORMATION WHICH IS THE PROPERTY OF OMNETICS CONNECTOR CORP. THIS DOCUMENT MAY NOT, IN WHOLE OR IN PART, BE DUPLICATED, OR DISCLOSED FOR ANY PURPOSE, WITHOUT WRITTEN PERMISSION FROM OMNETICS CONNECTOR CORP.	
TITLE:	(16) PIN MALE MICRO CIRCULAR CONNECTOR W/ LATCH
DFTM. TLM	
DATE	05-09-08

OMNETICS
CONNECTOR CORPORATION
7260 COMMERCE CIRCLE EAST
MINNEAPOLIS, MN 55432
WWW.OMNETICS.COM

DWG NO.	CAGE CODE 61873
A 22050-001	
SHEET 1 OF 1	SCALE: 4:1
REV D	