

MATERIALS & SPECIFICATIONS

PART NO.	A22029-001	REV	ECO	DATE	APP
		C	96877	07-13-10	TLM

INSULATOR:

LIQUID CRYSTAL POLYMER (LCP) PER ASTM D5138.

CONTACT:

BERYLLIUM COPPER PER ASTM B194, C17200. GOLD PLATED PER ASTM B488, (HARD GOLD) TYPE II CODE C CLASS 1.27.

TERMINATION:

COPPER ALLOY PER MIL-DTL-83513 MATTE SOLDER PLATE .0001-.0002 THICK PER AMS-P-81728 AND/OR GOLD PLATED PER ASTM B488, (HARD GOLD) TYPE II CODE C CLASS 1.27.

LATCH SPRING:

BERYLLIUM COPPER PER ASTM B194 NICKEL PLATE PER AMS-C-26074.

CURRENT CAPACITY:

3 AMP MAX.

CONTACT RESISTANCE:

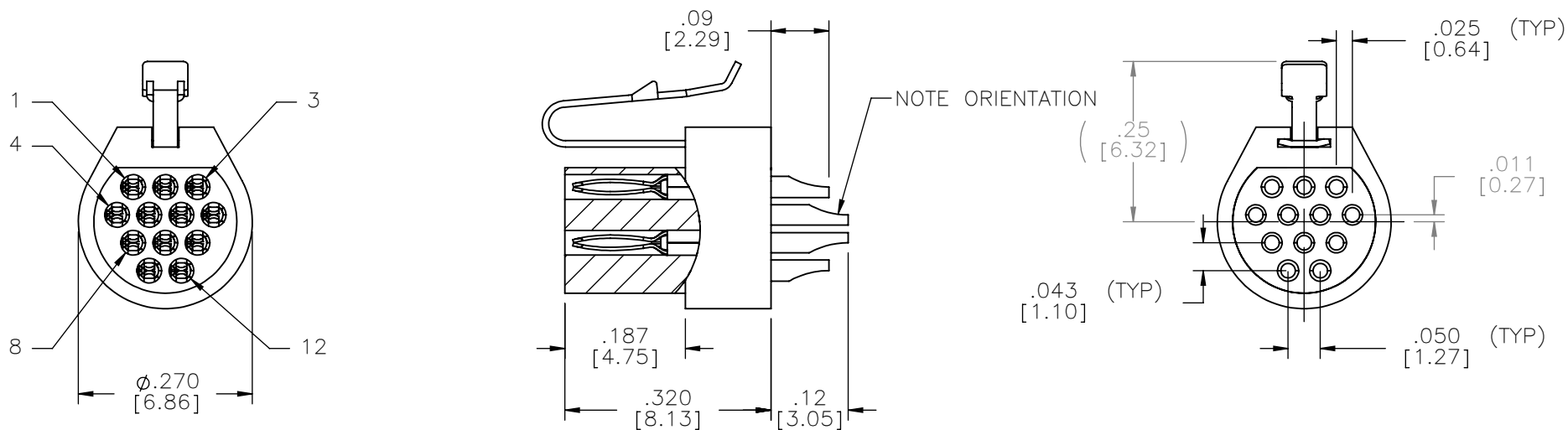
26 MILLIOHMS (65mV) MAX @ 2.5 AMPS.

PERFORMANCE:

PRODUCT FAMILY TESTED TO AND PASSED THE PERFORMANCE SPECIFICATIONS OF TABLE VII OF MIL-DTL-83513.



ACTUAL SIZE



REF: OMNETICS

MCP SLDW	THIRD ANGLE	THIS DRAWING CONTAINS CONFIDENTIAL AND PROPRIETARY INFORMATION WHICH IS THE PROPERTY OF OMNETICS CONNECTOR CORP. THIS DOCUMENT MAY NOT, IN WHOLE OR IN PART, BE DUPLICATED, OR DISCLOSED FOR ANY PURPOSE, WITHOUT WRITTEN PERMISSION FROM OMNETICS CONNECTOR CORP.		<p>OMNETICS CONNECTOR CORPORATION 7260 COMMERCE CIRCLE EAST MINNEAPOLIS, MN 55432 WWW.OMNETICS.COM</p>	CAGE CODE 61873	
	-TOLERANCES-	DFTM. TEP	DATE		DWG NO. A22029-001	
	UNLESS OTHERWISE NOTED	CHK'D.	DATE		SHEET 1 OF 1	
	DIMENSIONS IN INCHES	APP'D.	DATE		REV	C
2 PL DEC ± .01						
3 PL DEC ± .005						
4 PL DEC ± .0005						
ANGLES ± 1°						