

PART NO.	A22025-001	REV	ECO	DATE	APP
		C	96877	07-13-10	TLM

MATERIALS & SPECIFICATIONS

INSULATOR:

LIQUID CRYSTAL POLYMER (LCP) PER ASTM D5138.

CONTACT:

BERYLLIUM COPPER PER ASTM B194, C17200. GOLD PLATED PER ASTM B488, (HARD GOLD) TYPE II CODE C CLASS 1.27.

TERMINATION:

26 AWG (7-34) TYPE E, PER NEMA HP3, COLOR CODED PER TABLE.

LATCH SPRING:

BERYLLIUM COPPER PER ASTM B194 NICKEL PLATE PER AMS-C-26074.

CURRENT CAPACITY:

3 AMP MAX.

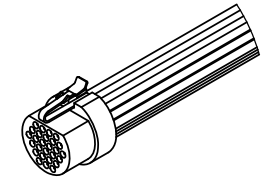
CONTACT RESISTANCE:

26 MILLIOHMS (65mV) MAX @ 2.5 AMPS.

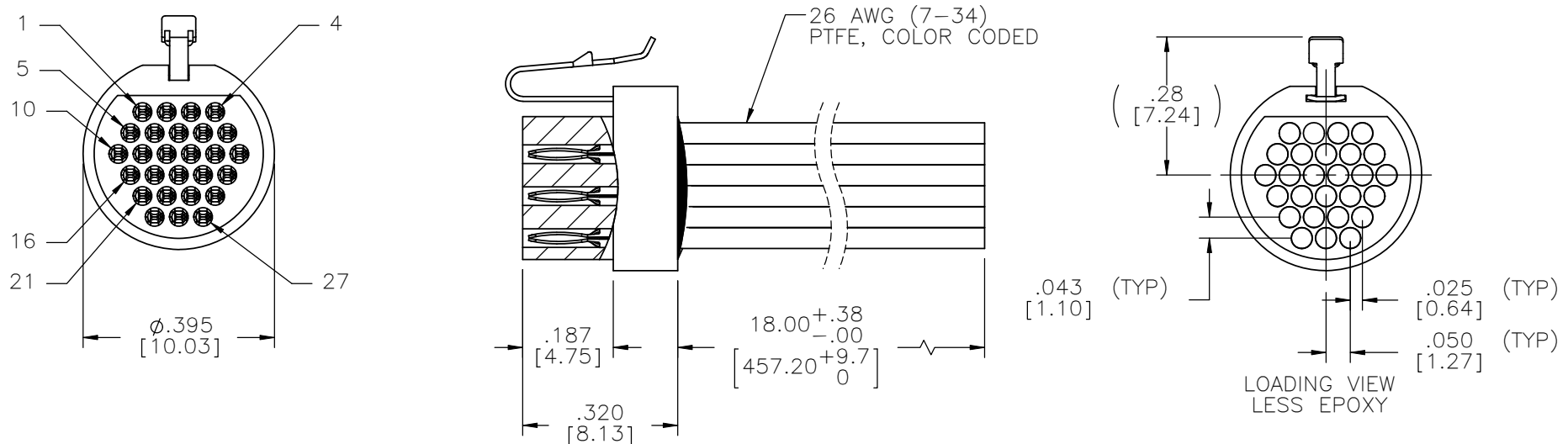
PERFORMANCE:

PRODUCT FAMILY TESTED TO AND PASSED THE PERFORMANCE SPECIFICATIONS OF TABLE VII OF MIL-DTL-83513.

PIN #	COLOR
1, 11, 21	BLACK
2, 12, 22	BROWN
3, 13, 23	RED
4, 14, 24	ORANGE
5, 15, 25	YELLOW
6, 16, 26	GREEN
7, 17, 27	BLUE
8, 18	VIOLET
9, 19	GRAY
10, 20	WHITE



ACTUAL SIZE
EXCLUDING
WIRE LENGTH



REF: OMNETICS

INTERNAL USE ONLY
USE MFG LOADING
PROCEDURE MC-27P

MFG	THIRD ANGLE	THIS DRAWING CONTAINS CONFIDENTIAL AND PROPRIETARY INFORMATION WHICH IS THE PROPERTY OF OMNETICS CONNECTOR CORP. THIS DOCUMENT MAY NOT, IN WHOLE OR IN PART, BE DUPLICATED, OR DISCLOSED FOR ANY PURPOSE, WITHOUT WRITTEN PERMISSION FROM OMNETICS CONNECTOR CORP.	
	-TOLERANCES-	DFTM. TEP	DATE 05-16-07
	UNLESS OTHERWISE NOTED	CHK'D.	DATE
	DIMENSIONS IN INCHES	APP'D.	DATE
2 PL DEC ± .01	TITLE: (27) PIN MALE MICRO CIRCULAR CONNECTOR W/ LATCH		<p>OMNETICS CONNECTOR CORPORATION 7260 COMMERCE CIRCLE EAST MINNEAPOLIS, MN 55432 WWW.OMNETICS.COM</p>
3 PL DEC ± .005			
4 PL DEC ± .0005			
ANGLES ± 1°			

CAGE CODE 61873	
DWG NO. A22025-001	
SHEET 1 OF 1	REV C
SCALE: 3:1	