

| | | | | | |
|----------|------------|-----|--------|----------|-----|
| PART NO. | A22015-001 | REV | ECO | DATE | APP |
| | | D | 104194 | 01-30-18 | HV |

MATERIALS & SPECIFICATIONS

INSULATOR:
LIQUID CRYSTAL POLYMER (LCP) PER ASTM D5138.

CONTACT:
BERYLLIUM COPPER PER ASTM B194, C17200.
GOLD PLATED PER ASTM B488, (HARD GOLD)
TYPE II CODE C CLASS 1.27.
(CONTACT MATING AREA ONLY)

TERMINATION:
BERYLLIUM COPPER PER ASTM B194, C17200.
MATTE SOLDER PLATE .0001-.0002 THICK PER AMS-P-81728.

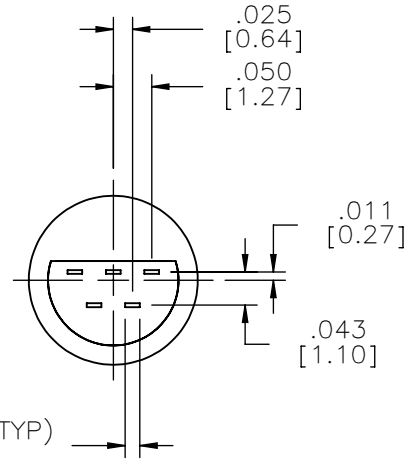
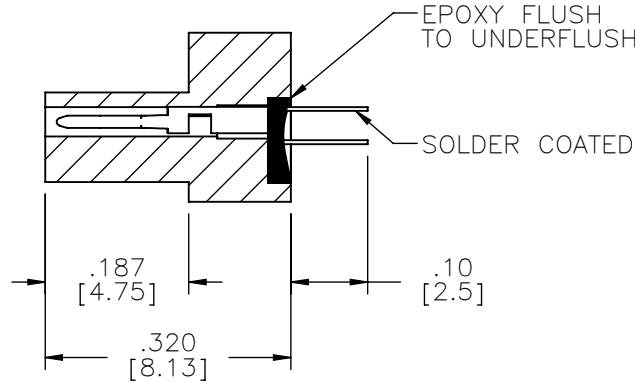
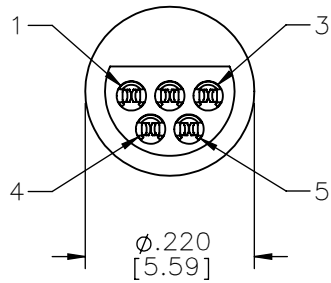
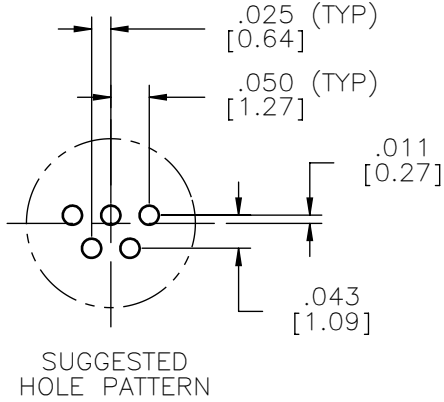
CURRENT CAPACITY:
3 AMP MAX.

CONTACT RESISTANCE:
26 MILLIOHMS (65mV) MAX @ 2.5 AMPS.

PERFORMANCE:
PRODUCT FAMILY TESTED TO AND PASSED THE PERFORMANCE SPECIFICATIONS OF TABLE VII OF MIL-DTL-83513.



ACTUAL SIZE



REF: OMNETICS

NOTE:
DIMENSIONS IN [] ARE IN MILLIMETERS UNLESS OTHERWISE NOTED AND ARE FOR REFERENCE ONLY

| | |
|------------------|------------------------|
| MCTS SLDW | THIRD ANGLE |
| | -TOLERANCES- |
| | UNLESS OTHERWISE NOTED |
| | DIMENSIONS IN INCHES |
| 2 PL DEC ± .01 | |
| 3 PL DEC ± .005 | |
| 4 PL DEC ± .0005 | |
| ANGLES ± 1° | |

| | |
|--|---------------|
| THIS DRAWING CONTAINS CONFIDENTIAL AND PROPRIETARY INFORMATION WHICH IS THE PROPERTY OF OMNETICS CONNECTOR CORP. THIS DOCUMENT MAY NOT, IN WHOLE OR IN PART, BE DUPLICATED, OR DISCLOSED FOR ANY PURPOSE, WITHOUT WRITTEN PERMISSION FROM OMNETICS CONNECTOR CORP. | |
| DFTM. TEP | DATE 4/7/2006 |
| CHK'D. | DATE |
| APP'D. | DATE |
| TITLE: (5) PIN MALE MICRO CIRCULAR CONNECTOR | |

OMNETICS
CONNECTOR CORPORATION
7260 COMMERCE CIRCLE EAST
MINNEAPOLIS, MN 55432
WWW.OMNETICS.COM

| | |
|--------------------|-------|
| CAGE CODE 61873 | |
| DWG NO. A22015-001 | |
| SHEET 1 OF 1 | REV D |
| SCALE: 4:1 | |