



M5STACK

# AtomPortABC

SKU: A130



## Description

AtomPortABC is a Grove port extension base specially adapted to the ATOM series, which is convenient for users to connect to I2C, Uart, GPIO type UNIT units at the same time. The product offers a variety of fixing methods, such as suspension, Lego connection, screw fastening, etc. It is suitable for scenarios such as building multi-functional mini-node controllers.

## Features

- Compatible with port ABC(I2CGPIUART)
- Compatible with ATOM series hosts

## Includes

- 1 x AtomPortABC
- 1 x Pin Map sticker

# Applications

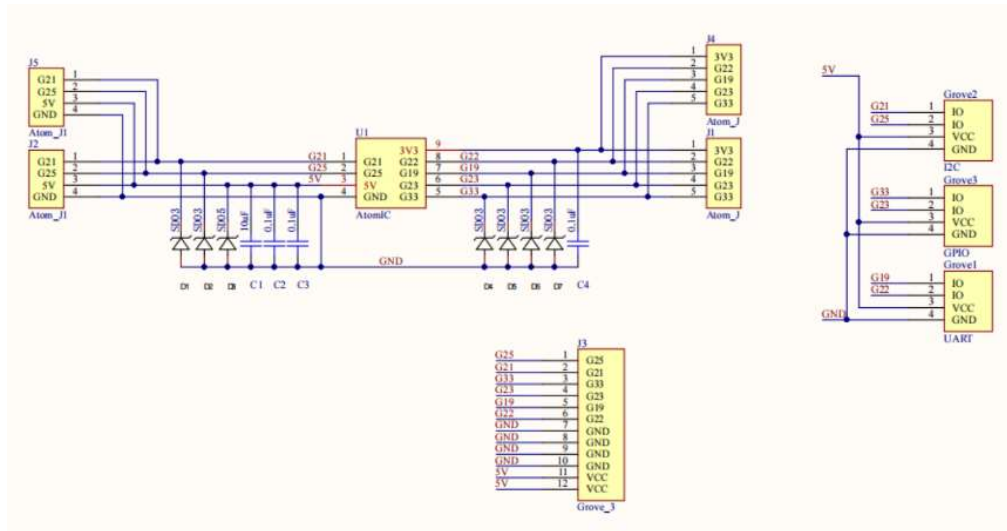
- Multifunctional control node

# Specification

Resources	Parameters
Applicable sensor interface type	I2C, UART, GPIO
Operating temperature	0-40°C
Supported ATOM	ATOM Matrix, ATOM Lite, ATOMS3, ATOMS3 Lite
Product Size	64 * 24 * 29mm
Package Size	91 * 42 * 24.5mm
Product Weight	5g
Package Weight	10g



# Schematic



# PinMap



<https://docs.m5stack.com/en/unit/AtomPortABC> 6-23-23