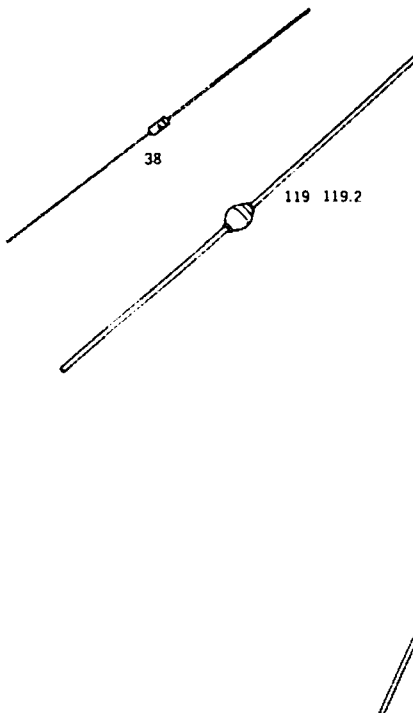


SILICON RECTIFIERS LOW CURRENT .25 TO 3 AMPERES

JEDEC	---		1N5059-62		1N4245-49		---		1N5621-27	
GE TYPE	DT230	MPR10-15	A14A-P	---	---	GER4001-7	A114A-M	---	A15A-N	
ELECTRICAL SPECIFICATIONS										
$I_{FM(A)}$	A)	.25	.5	1	1	1	1	1	3	3
	@ $T_A(^{\circ}C)$	50	100	100	100	85	75	55	70	70
$V_{RM(V)}$	Max. repetitive peak reverse voltage (V)									
50		DT230F	---	A14F	---	---	GER4001	A114F	---	A15F
100		DT230A	---	A14A	---	---	GER4002	A114A	---	A15A
150		DT230G	---	---	---	---	---	---	---	---
200		DT230B	---	A14B	1N5059	1N4245 *	GER4003	A114B	1N5624	A15B
250		DT230H	---	---	---	---	---	---	---	---
400		---	---	A14D	1N5060	1N4246 *	GER4004	A114D	1N5625	A15D
600		---	---	A14M	1N5061	1N4247 *	GER4005	A114M	1N5626	A15M
800		---	---	A14N	1N5062	1N4248 *	GER4006	A114N	1N5627	A15N
1000		---	MPR10	A14P	---	1N4249	GER4007	---	---	---
200		---	MPR12	---	---	---	---	---	---	---
500		---	MPR15	---	---	---	---	---	---	---
$I_{SM(A)}$	Max. peak one cycle, non-recurrent surge current (50 Hz sine wave, 1 phase operation) @ max. rated load conditions (A)	5	25	50	50	25	30	40	125	125
t_{rr}	Max. non-repetitive for 8.3 msec. (A^2 sec)	---	3	4	4	4	---	3.5	25	25
T_J	Operating junction temperature range ($^{\circ}C$)	-65 to 150	-65 to 175	-65 to 175	-65 to 175	-65 to 160	-65 to 175	-65 to 125	-65 to 175	-65 to 175
T_S	Storage temperature range ($^{\circ}C$)	-65 to 200	-65 to 175	-65 to 175	-65 to 175	-65 to 200	-65 to 175	-65 to 175	-65 to 200	-65 to 175
V_{FM}	Max. peak forward voltage drop @ rated I_{FM} (1 phase operation)	1.1*	1.8	1.0	1.0	1.2 @ +55 $^{\circ}C$	1.1	1.1	1.0	1.0
t_{rr}	Max. reverse recovery time (μ sec)	0.3	5	6	6	5	---	0.2	5	5
PACKAGE OUTLINE NO.		38	119	119	119	119	119	119	119.2	119.2
SPECIFICATION SHEET NO.		130.25	130.53	130.54 130.55	130.55	130.58	130.66	130.63 130.64	130.59	130.58 130.58

NOTE:
 1 Average forward current 1 amp. @ $T_A=90^{\circ}C$. Junction, operating and storage temperature range -65 to +165 $^{\circ}C$.
 * JAN & JANTX types available



The best way to assure reliability in a low-current rectifier pellet is to put it in a package that really protects it. Protects it from shock, humidity, vibration and temperature.

And that's just what we do with General Electric's glassvated 1-amp (A14) and 3-amp (A15) rectifiers. Solid glass provides passivation and protection of the silicon pellet's P-N junction—no organic material is present within the hermetically sealed package. In addition, rigid mechanical support and excellent thermal characteristics are provided by the dual heat sink construction.

For high-frequency applications, GE offers a fast-recovery rectifier, the 1-amp A114, with a 200 nsec. max. reverse recovery.

Need a 1 ampere rectifier bridge? See the "GEB" A-14 Bridge on page 61.