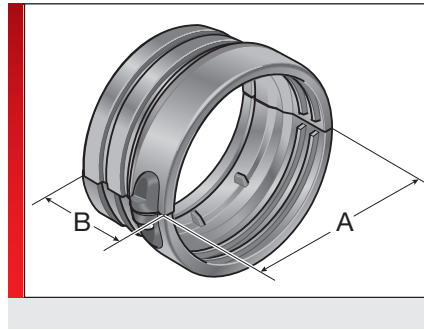


A-RS



PRODUCT INFORMATION

The A RS conduit adapter is intended for corrugated tubes from third party manufacturers that may have different diameters. They facilitate secure manoeuvring at the robot arm with optimum hold.

SPECIFICATIONS

	Mod. polyamide		
	-40 – 110 °C		
	V0		

Type	Order No.	Colour	Version	A mm	B mm	Pack qty.
A-RS-56 sw ¹⁾	83692280	Black	separable	102.50	46.00	1
A-RS-70 sw ¹⁾	83692282	Black	separable	102.50	46.00	1

¹⁾Tightening torque 1.5Nm

Mod. polyamide

THERMAL PROPERTIES

Temperature / temperature range
-40 – 110 °C

FIRE BEHAVIOUR

Fire classification
V0

APPROVALS AND OPERATING PERMITS

ROBI approval

TECHNICAL INFORMATION

Halogen-free

A-RS

CONFORMITY

RoHS

RoHS (EC Directive 2002/95/EC)

GENERAL INFORMATION

Made in
Germany

Made in Germany

All details given in our sales material prospectuses and catalogues as well as the information available online are based on our current knowledge of the products described.

The electronic data and files made available by Murrplastik, particularly CAD files are based on our current knowledge of the product described.

A legally binding assurance of certain properties or the suitability for a certain purpose can not be determined from this information.

All information with respect to the chemical and physical properties of Murrplastik products as well as application advice given verbally, in writing or by tests, is given to the best of our knowledge.

This does not free the purchaser of carrying out their own inspections and tests in order to determine the suitability of a product for a specific purpose.

Murrplastik accepts no responsibility for the available information being up-to-date, correct or complete. Neither do we accept responsibility for the quality of this information.

Murrplastik accepts no liability for damage caused as a result of using our products.

Murrplastik reserves the right to make technical changes and improvements through constant further development of products and services.

Our General Terms and Conditions apply.

© Murrplastik Systemtechnik GmbH • proID_96589~20170601~890283~aur_a_rs