

A

B

C

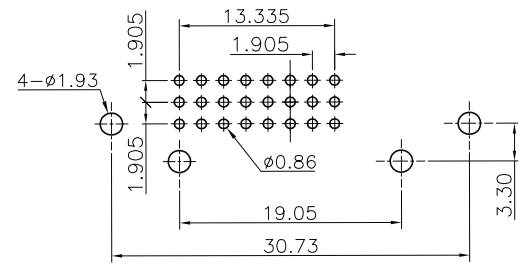
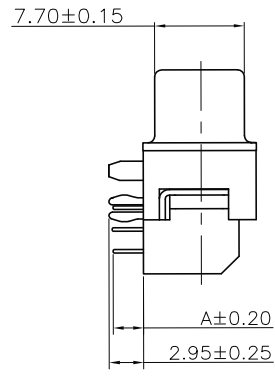
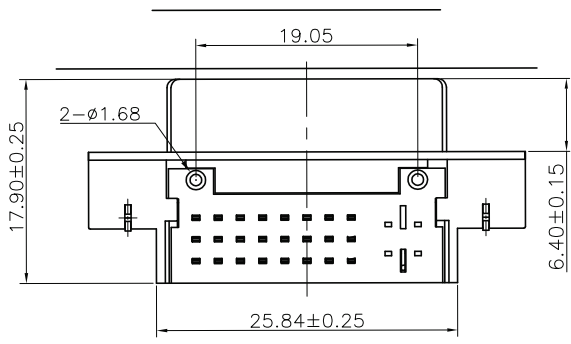
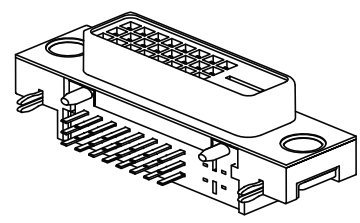
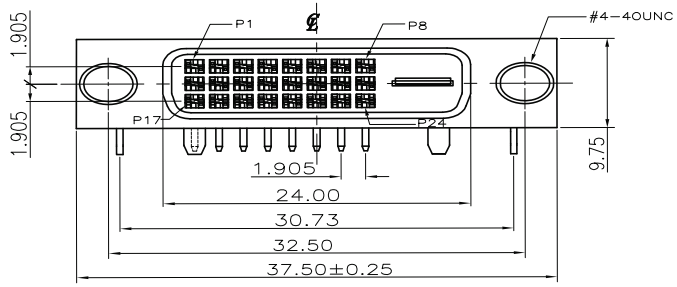
D

E

F

G

H



Recommended PCB Layout

Specifications	
Material:	Contacts: Brass Shell: Zinc Alloy Ground Contact: Brass Leg: Brass Rivet: Brass
Electrical:	Current rating [amps]: 1.5A Voltage-max[volts]: 40V Withstanding Voltage: 500V AC Contact Resistance[ohms]: 30MΩ Max. Insulation Resistance[ohms]: 1,000MΩ Min.
Plating:	Contacts: Gold plating over nickel
Environmental	Temperature Range: -20°C to +80°C

MODIFICATIONS	DATE	NAME	Dimension = MM	
			TOLERANCE	
			ANGLE	X.X ±0.15
				X.XX
				X.XXX



Item NO.  
**A-DVI-1006-1-01-R**



DRAWN BY Miller	DATE 6-6-12	DESCRIPTION DVI Connector Right Angle - 24+1 DIP 90°, Female, White Insulator, No Nut
APPROVED BY Warner	DRAWING NO.	REV