



Figure similar

Electrically held lighting contactor, (convertible to mech. held), Amp rating 30A (tungsten 20A), 6 N.C. / 4 N.O. poles, 575-600V 60Hz/550V 50Hz coil, Non-combination type, Enclosure NEMA type (open), No enclosure

|   |   |
|---|---|
| product brand name  | Class LC  |
| design of the product   | Electrically held lighting contactor (convertible to mechanically held)                       |
| special product feature   | Electrically held convertible to mechanically held; Power poles convertible between NO and NC |
| <b>General technical data</b>   |   |
| weight [lb]   | 3 lb  |
| Height x Width x Depth [in]   | 7.39 × 4.18 × 3.86 in   |
| touch protection against electrical shock                               | Main circuit (finger-safe); Control circuit (finger-safe)                                     |
| installation altitude [ft] at height above sea level maximum            | 6560 ft   |
| ambient temperature [°F]  |   |
| • during storage  | -22 ... +149 °F   |
| • during operation  | -13 ... +104 °F   |
| ambient temperature   |   |
| • during storage  | -30 ... +65 °C  |
| • during operation  | -25 ... +40 °C  |
| country of origin   | USA   |
| <b>Contactors</b>   |   |
| size of contactor   | 30 Amp  |
| number of NO contacts for main contacts                                 | 4   |
| number of NC contacts for main contacts                                 | 6   |
| operating voltage for main current circuit at AC at 60 Hz maximum       | 600 V   |
| mechanical service life (switching cycles) of the main contacts typical | 100000  |
| contact rating of the main contacts of lighting contactor               |   |
| • at tungsten (1 pole per 1 phase) rated value                          | 20A @277V 1p 1ph  |
| • at tungsten (2 poles per 1 phase) rated value                         | 20A @480V 2p 1ph  |
| • at tungsten (3 poles per 3 phases) rated value                        | 20A @480V 3p 3ph  |
| • at ballast (1 pole per 1 phase) rated value                           | 30A @347V 1p 1ph  |
| • at ballast (2 poles per 1 phase) rated value                          | 30A @600V 2p 1ph  |
| • at ballast (3 poles per 3 phases) rated value                         | 30A @600V 3p 3ph  |
| • at resistive load (1 pole per 1 phase) rated value                    | 30A @600V 1p 1ph  |
| • at resistive load (2 poles per 1 phase) rated value                   | 30A @600V 2p 1ph  |
| • at resistive load (3 poles per 3 phases) rated value                  | 30A @600V 3p 3ph  |
| <b>Auxiliary contact</b>  |   |
| number of NC contacts for auxiliary contacts                            | 0   |
| number of NO contacts for auxiliary contacts                            | 0   |

|   |                                   |
|---|-----------------------------------|
| number of total auxiliary contacts maximum  | 4                                 |
| contact rating of auxiliary contacts of contactor according to UL   | NA                                |
| <b>Coil</b>   |                                   |
| type of voltage of the control supply voltage   | AC                                |
| control supply voltage  |                                   |
| • at AC at 50 Hz rated value  | 550 V                             |
| • at AC at 60 Hz rated value  | 575 ... 600 V                     |
| apparent pick-up power of magnet coil at AC   | 248 V·A                           |
| apparent holding power of magnet coil at AC   | 28 V·A                            |
| operating range factor control supply voltage rated value of magnet coil  | 0.85 ... 1.1                      |
| <b>Enclosure</b>  |                                   |
| degree of protection NEMA rating of the enclosure   | Open device (no enclosure)        |
| design of the housing   | NA                                |
| <b>Mounting/wiring</b>  |                                   |
| mounting position   | Vertical                          |
| fastening method  | Surface mounting and installation |
| type of electrical connection for supply voltage line-side  | Screw-type terminals              |
| tightening torque [lbf·in] for supply   | 35 ... 35 lbf·in                  |
| type of connectable conductor cross-sections at line-side at AWG cables single or multi-stranded                  | 2x (14 ... 8 AWG)                 |
| temperature of the conductor for supply maximum permissible   | 75 °C                             |
| material of the conductor for supply  | CU                                |
| type of electrical connection for load-side outgoing feeder   | Screw-type terminals              |
| tightening torque [lbf·in] for load-side outgoing feeder  | 35 ... 35 lbf·in                  |
| type of connectable conductor cross-sections at AWG cables for load-side outgoing feeder single or multi-stranded | 2x (14 ... 8 AWG)                 |
| temperature of the conductor for load-side outgoing feeder maximum permissible                                    | 75 °C                             |
| material of the conductor for load-side outgoing feeder   | CU                                |
| type of electrical connection of magnet coil  | Screw-type terminals              |
| tightening torque [lbf·in] at magnet coil   | 15 ... 15 lbf·in                  |
| type of connectable conductor cross-sections of magnet coil at AWG cables single or multi-stranded                | 2x (18 ... 14 AWG)                |
| temperature of the conductor at magnet coil maximum permissible   | 75 °C                             |
| material of the conductor at magnet coil  | CU                                |
| <b>Short-circuit current rating</b>   |                                   |
| design of the fuse link for short-circuit protection of the main circuit required                                 | 100kA@600V (Class R or J 40A max) |
| design of the short-circuit trip  | Thermal magnetic circuit breaker  |
| breaking capacity maximum short-circuit current (Icu)   |                                   |
| • at 240 V  | 24 kA                             |
| • at 480 V  | 65 kA                             |
| • at 600 V  | 25 kA                             |
| certificate of suitability  | NEMA ICS 2; UL 508                |

#### Further information

**Industrial Controls - Product Overview (Catalogs, Brochures,...)**

[www.usa.siemens.com/iccatalog](http://www.usa.siemens.com/iccatalog)

**Industry Mall (Online ordering system)**

<https://mall.industry.siemens.com/mall/en/us/Catalog/product?mfb=US2:LCE00C604600A>

**Service&Support (Manuals, Certificates, Characteristics, FAQs,...)**

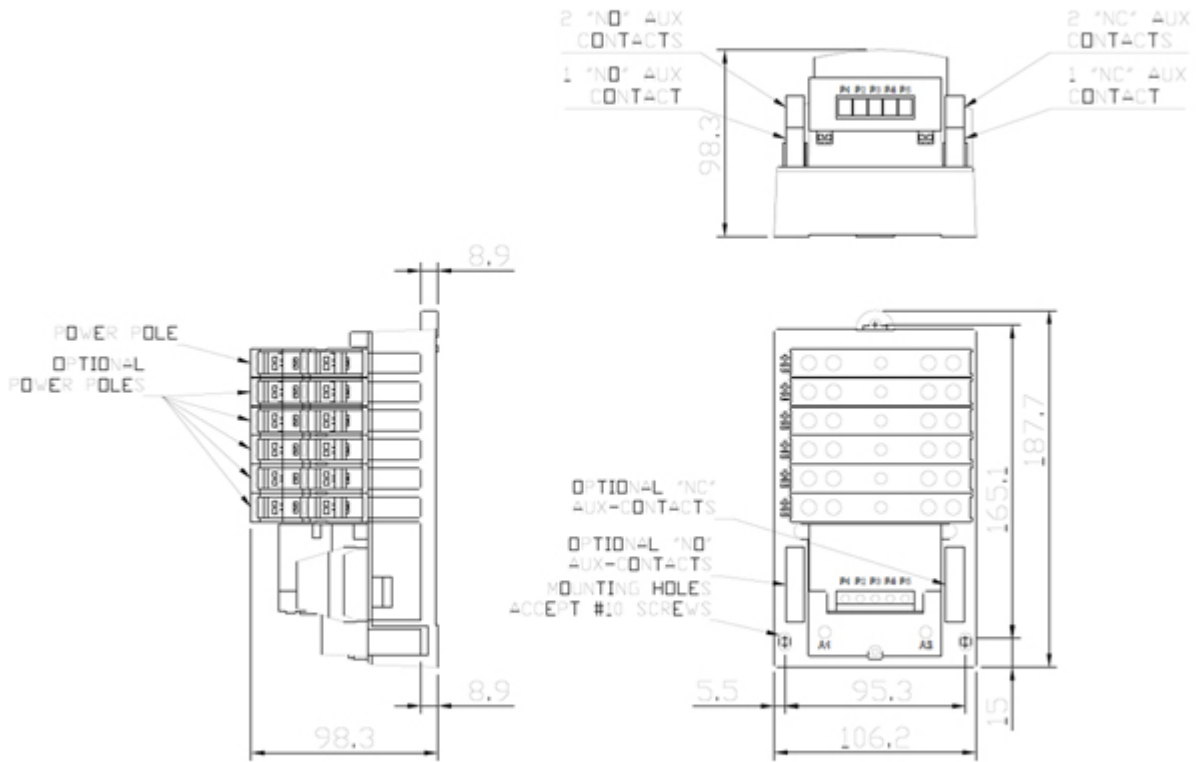
<https://support.industry.siemens.com/cs/US/en/ps/US2:LCE00C604600A>

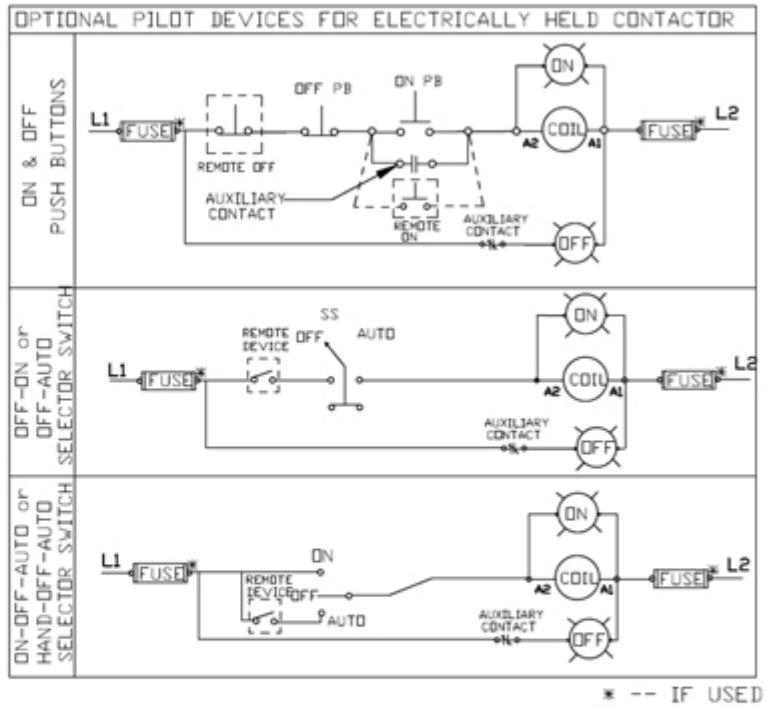
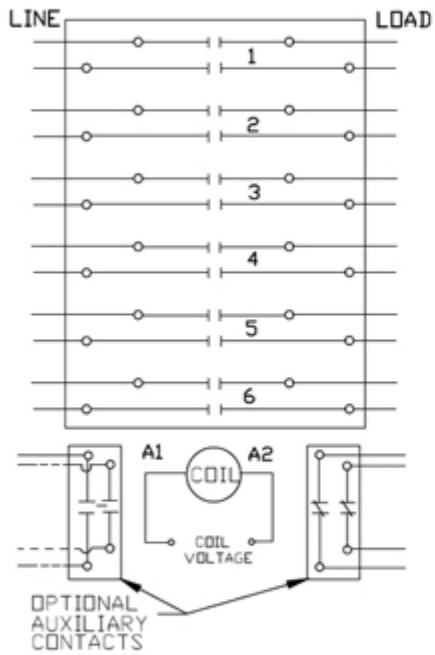
**Image database (product images, 2D dimension drawings, 3D models, device circuit diagrams, EPLAN macros, ...)**

[http://www.automation.siemens.com/bilddb/cax\\_de.aspx?mfb=US2:LCE00C604600A&lang=en](http://www.automation.siemens.com/bilddb/cax_de.aspx?mfb=US2:LCE00C604600A&lang=en)

**Certificates/approvals**

<https://support.industry.siemens.com/cs/US/en/ps/US2:LCE00C604600A/certificate>





last modified:

3/11/2020