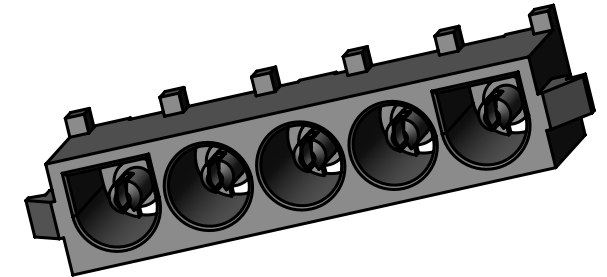
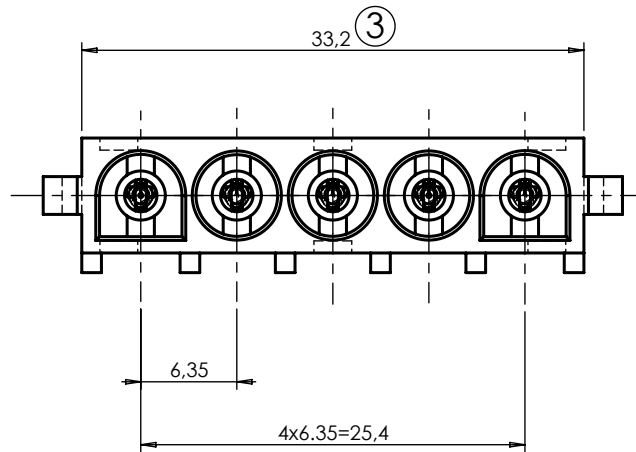
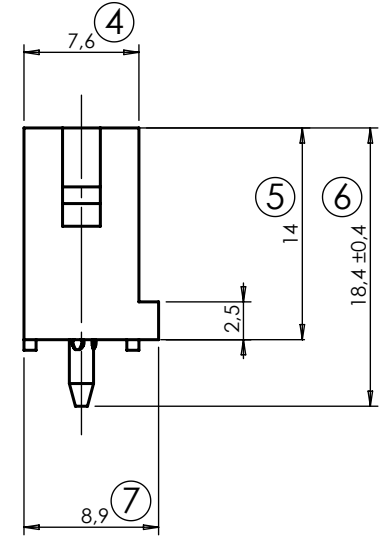
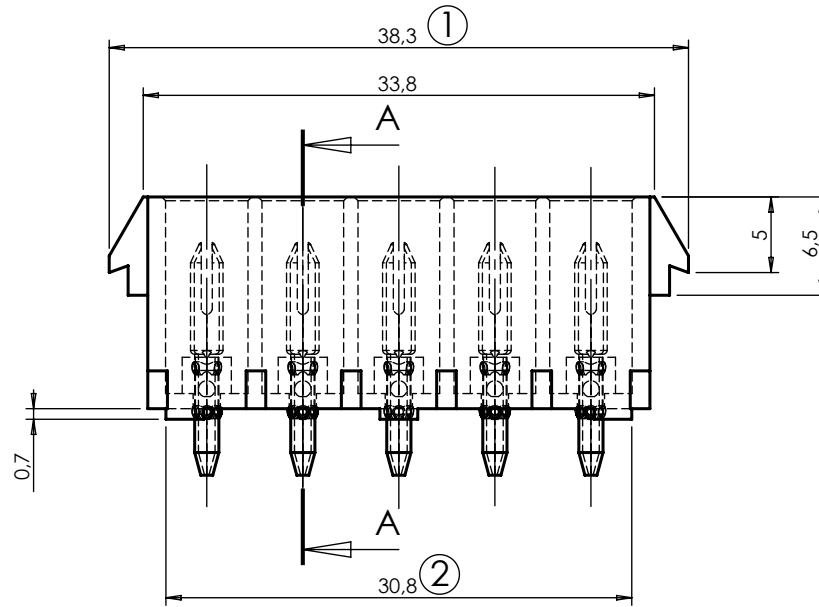
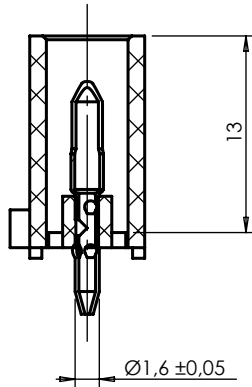
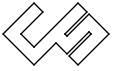
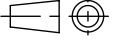


SEZIONE A-A



DIMENSIONS WITHOUT TOLERANCES				CS-LK05PCB/M31	PA66 UL94 V-2
A ±2°	0 - 6	±0.1	CS-LK05PCB/M31V0	PA6/66 UL94 V-0	
	6 - 30	±0.2	CS-LK05PCB/M31STY	PA46 UL94 V-2	
	> 30	±0.3	CS-LK05PCB/M31V0750NF	PA66 UL94 V-0 GWIT 775	
			CS-LK05PCB/M31-G	PA6 UL94 V-2 GWIT 775	
			PART NUMBER	MATERIAL	

1	Aggiornato cartiglio		02-09-2011
INDEX	MODIFICATION		DATE
 CS S.r.l. 20063 CERNUSCO S/N - VIA COMO, 11 TEL +39.02.9210.7404 - FAX +39.02.9210.0217 http://www.csconnectors.com - e-mail: info@csconnectors.com			
CHECKED BY		DATE	DESIGN UNITS
Stefano Galimberti		19-02-2016	METRIC
DRAWN BY		DATE	WEIGHT
Luca Viscardi		19-02-2016	2.41
CAD REFER		SIZE	SCALE
Y:\dis\cs\lk\05vie\pcb\		A4	2:1
INDEX 0		07-03-2002	
BASE CODE	DESCRIPTION		
CS-LK05PCB/M31	Giunto 5 vie per scheda circuito stampato con pin maschio serie LK		