

DESCRIPTION: 993 SERIES 45° ENTRY 25P DSUB BACKSHELL

SPECIFICATIONS:

MATERIALS:

METALIZED PLASTIC:

MATERIAL: ABS HIGH TEMP PLASTIC 94HB

METALIZED PLATING: CHROME

PLASTIC:

MATERIAL: ABS HIGH TEMP PLASTIC 94HB

BACKSHELL KIT INCLUDES:

- (2) BACKSHELL HALVES
- (2) HOUSING SCREWS
- (2) HOUSING NUTS
- (2) #4-40 THUMBSCREWS
- (2) STRAIN RELIEF CLAMPS
- (2) STRAIN RELIEF SCREWS

**ASSEMBLY SCREW SIZE #4-40.
RECOMMENDED TORQUE 4 IN-LBS. MAX**

993-025-YYYRYY1

SERIES _____

MATERIAL _____

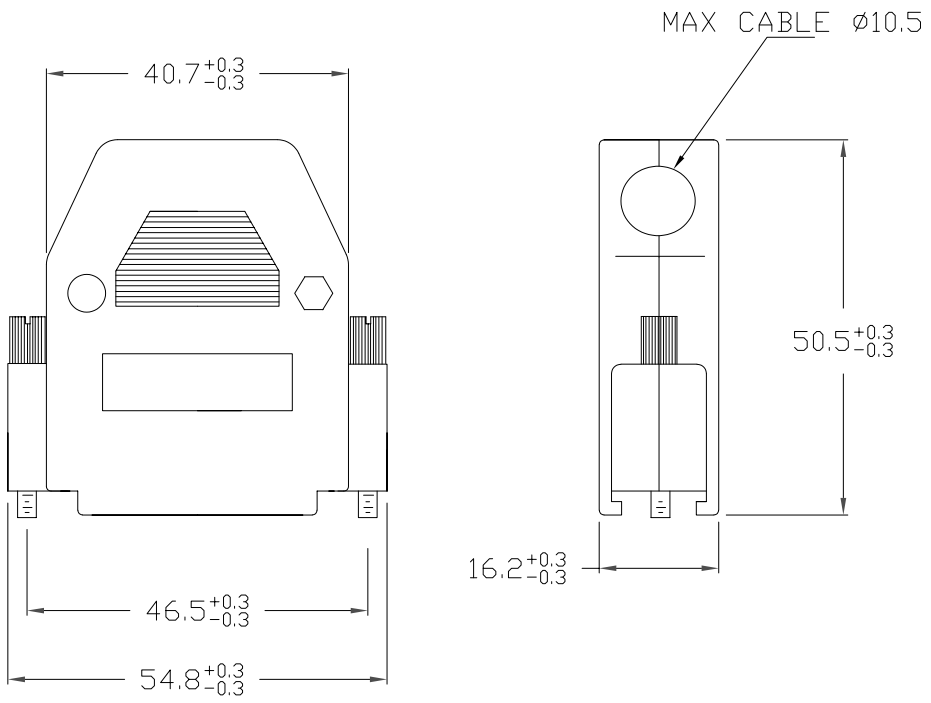
010 = PLASTIC

020 = METALIZED PLASTIC

COLOR _____

03 = GREY (ONLY AVAILABLE WITH 010 - PLASTIC OPTION ABOVE)

12 = CHROME (ONLY AVAILABLE WITH 020 - METALIZED PLASTIC ABOVE)



RoHS COMPLIANT

UNITS = mm

DO NOT SCALE FROM DRAWING



THESE DRAWINGS AND SPECIFICATIONS ARE THE PROPERTY OF NorComp AND SHALL NOT BE REPRODUCED, COPIED OR USED AS THE BASIS FOR THE MANUFACTURE OR SALE OF APPARATUS WITHOUT WRITTEN PERMISSION.

DRAWN:
P. JENKINS

DATE:
09/15/2005

NorComp

SCALE: NTS	SHEET 1	OF 1	REV 3
DWG NO.		993-025-YYYRYY1	