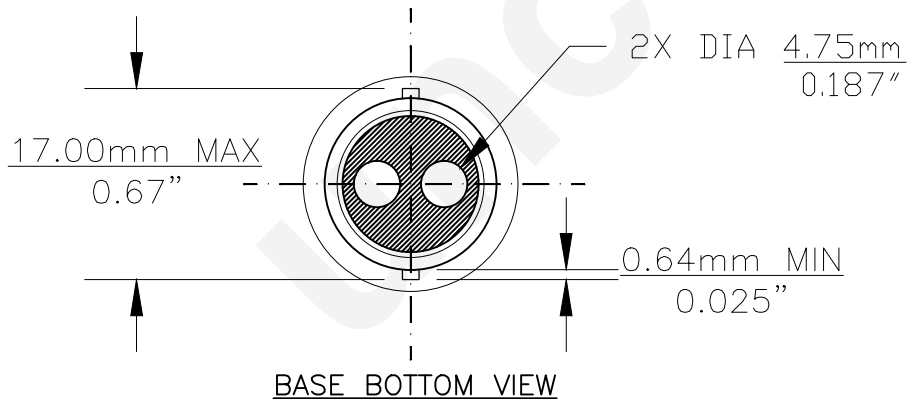
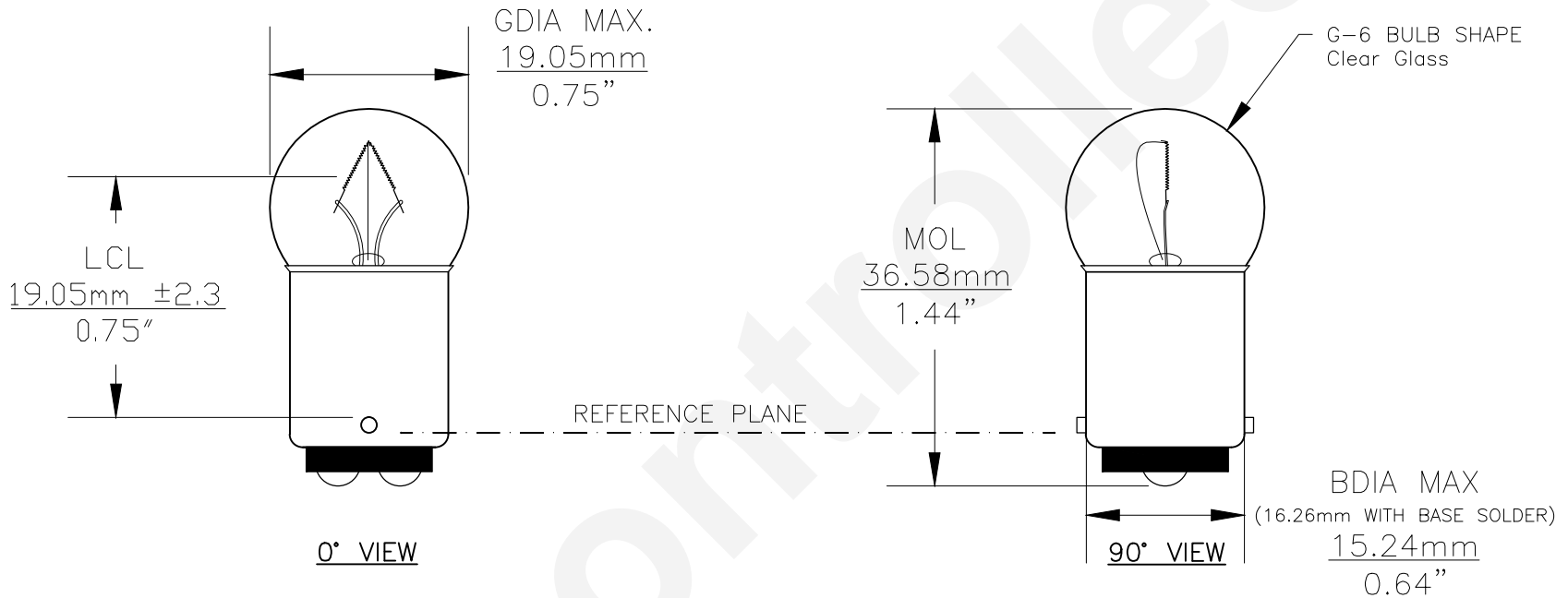




PART NO.	BASE TYPE	DESIGN VOLTS	DESIGN AMPS	MSCD	FILAMENT TYPE	AVERAGE LIFE HOURS	REVISIONS			
							REV #	DESCRIPTION	DATE	APPROVED
99	D.C. BAYONET (BA15d)	13.0V	0.62±8%	6 ±15%	C-2V	800	1	ISSUED	11/13/2014	R.M.



Note: Made according to SAE specifications

UNLESS OTHERWISE SPECIFIED: DIMENSIONS ARE IN INCHES TOLERANCES DECIMALS .XX ± .05 ANGULAR ± 0.5° .XXX ± .010 FRACTIONAL ± 1/64		CEC INDUSTRIES LTD 599 BOND STREET LINCOLNSHIRE, IL 60069			
DRAWN ROSE MEDINA	DATE 11/13/2014	TITLE LIGHT BULB NO. 99			
CHECKED	SIZE A	FSCM NO.	DWG NO. 99	REV 1	
DESIGN	SCALE	PLOT SCALE	SHEET 1 OF 1		
MATERIAL	FILE 99.pdf	DRAWING NOT TO SCALE			