

Woodhead LED Stringlight



Energy-efficient, high-performance Woodhead LED Stringlights are designed for temporary use and to reduce operational costs, infrastructure requirements and maintenance in commercial and industrial applications

Features and Benefits

Low energy consumption

14W per light engine and 140W per 100-foot string provides over 2100 lumens per light engine

Reduced maintenance during use

No lamp replacement, with integral long-life LED light engines
Easy installation – no separate guards or lamps to deal with

Low-profile design affords more headroom

LED String Lights provide 4 to 5 inches of extra headroom compared with traditional strings

Less required infrastructure for temporary power

Can power up to 12 100-foot strings from a single outlet
Smaller wire gauges needed to supply power for lighting
Fewer outlets
Smaller generators
Less temporary power equipment

High productivity with 5000K color temperature

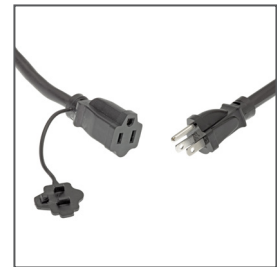
5000K color temperature provides a more natural color temperature than incandescent lamps

High durability

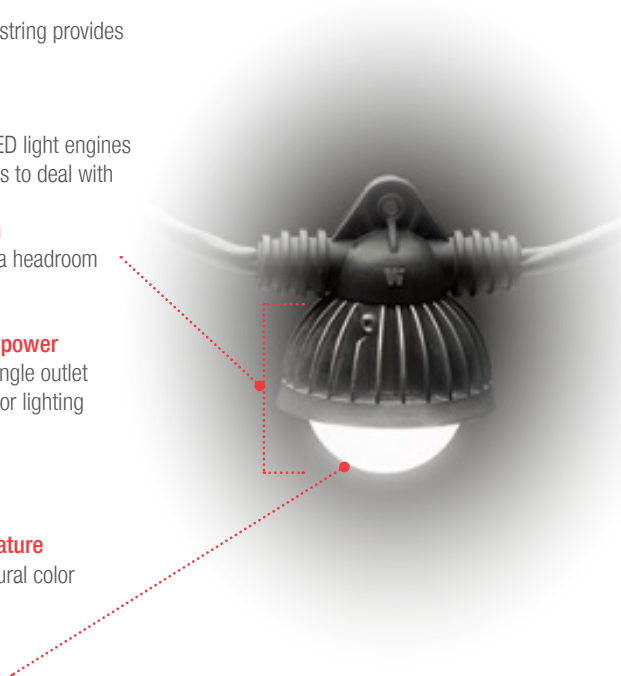
Polycarbonate lens protects light source
Outdoor rated and able to withstand the elements



LED String Light



NEMA 5-15 Cord Ends



Applications

Electrical and Industrial

Commercial construction contractors
Industrial MRO customers needing durable temporary lighting

Industrial

Oil and gas customers
(for non-hazardous locations)

Shipyards - Low profile, low maintenance, and durability are the primary selling points in this market



Commercial Construction



Shipyards



Oil and Gas

Woodhead LED Stringlight



Specifications

REFERENCE INFORMATION

Designed In: Feet
 Plug and Connector Configuration: NEMA 5-15
 Standard: UL1088
 SJTW and STW Cable: Plug and connector are molded on
 SOOW: uses Watertite devices
 Listing: cULus file no. E112216 

MECHANICAL

Length (Ft): 25, 50 and 100
 Light Engine count: 2, 5 and 10
 Cable type: 12/3 SJTW, 12/3 STW, 12/3 SOOW

ELECTRICAL

Voltage Rating: 125V
 Wattage per Light Engine: 14W
 Wattage per Light String: 140W per 100ft

LIGHTING

Lumen Output per Light Engine: 2128 lumens
 Color Temperature: 5000K
 Color Rendering Index (CRI): 80

PHYSICAL

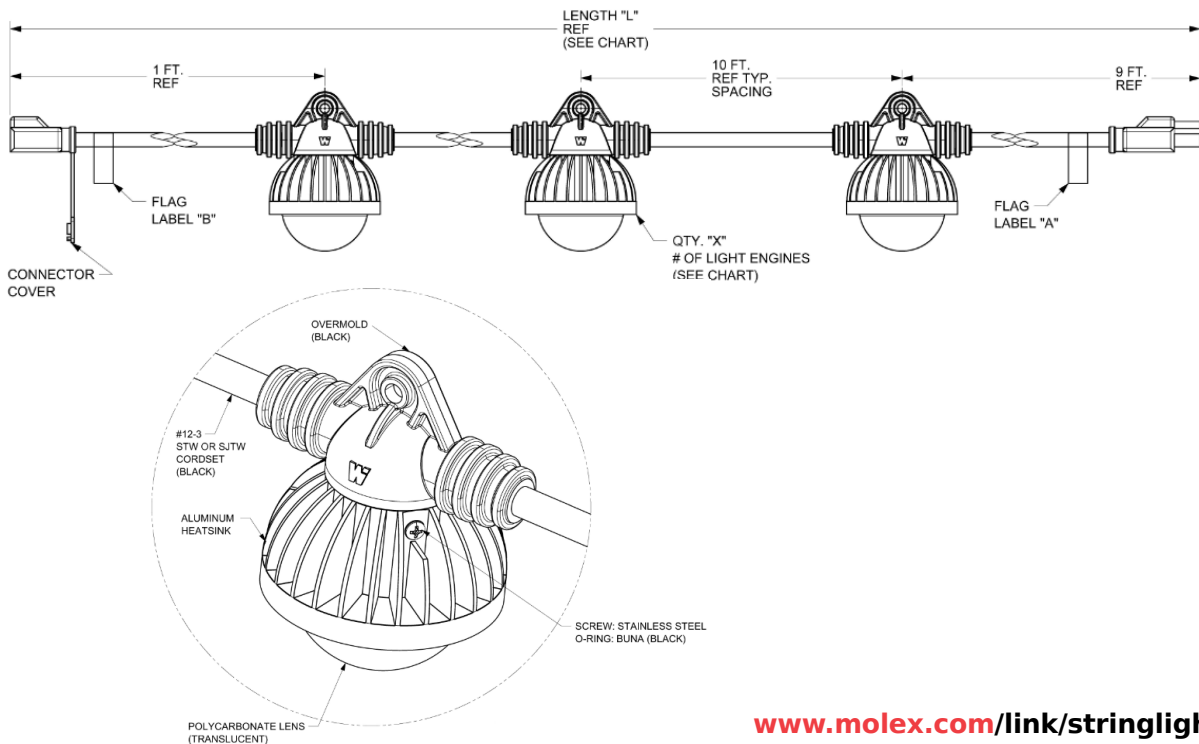
Cord: STW, SJTW, or SOOW
 Junction Overmold Material: Alcryn 2080BK
 Heatsink: Cast Aluminum
 Lens: Polycarbonate

ENVIRONMENTAL

Rated for outdoor use, wet-locations

Ordering Information

Order No.	Engineering No.	Cable Type	Length "L" (Ft)	Quantity "X" of Light Engines	Wattage per Light String	Max. Strings Plugged End-to-End
1301110100	123JR100-14W10515M	#12/3 SJTW	100	10	140	12
1301110101	123JR50-14W10515M	#12/3 SJTW	50	5	70	24
1301110112	123JQ25-14W10515M	#12/3 SJTW	25	2	28	50
1301110102	123TR100-14W10515M	#12/3 STW	100	10	140	12
1301110103	123TR50-14W10515M	#12/3 STW	50	5	70	24
1301110117	123WR100-14W10515	#12/3 SOOW	100	10	140	12
1301110118	123WR50-14W10515	#12/3 SOOW	50	5	70	24



www.molex.com/link/stringlights.html

Molex is a registered trademark of Molex, LLC in the United States of America and may be registered in other countries; all other trademarks listed herein belong to their respective owners.