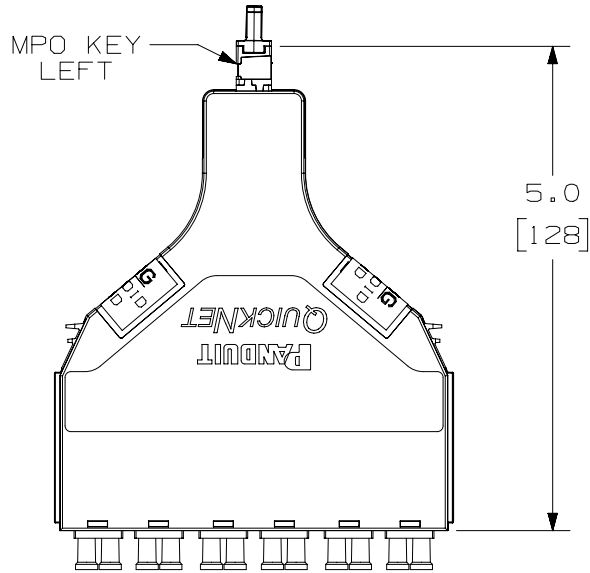


THIS COPY IS PROVIDED ON A RESTRICTED BASIS AND IS NOT TO BE USED IN ANY WAY DETRIMENTAL TO THE INTERESTS OF PANDUIT CORP.

FIBER POSITION
1 2 3 4 5 6 7 8 9 10 11 12

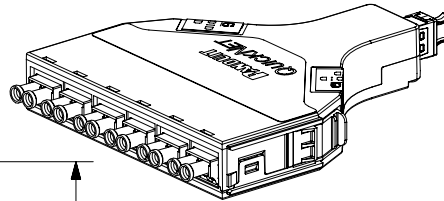
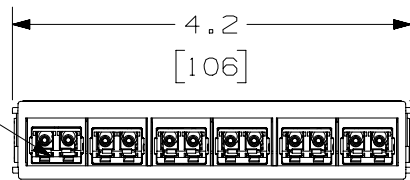


PANDUIT PART NUMBER	FIBER TYPE	PERFORMANCE LEVEL	ADAPTER COLOR (SPLIT SLEEVE)
FQXN-12-10AF	OM3	STANDARD LOSS	AQUA (ZIRCONIA)
FQXO-12-10AF	OM3	OPTIMIZED LOSS	AQUA (ZIRCONIA)
FQZN-12-10AF	OM4	STANDARD LOSS	AQUA (ZIRCONIA)
FQZO-12-10AF	OM4	OPTIMIZED LOSS	AQUA (ZIRCONIA)
FQSA-12-10AF	OM4+ (SIG CORE)	ULTRA LOW LOSS	AQUA (ZIRCONIA)
FQ9N-12-10AF	OS1/OS2	STANDARD LOSS	BLUE (ZIRCONIA)

NOTES:

- SEE CURRENT CATALOG FOR PART NUMBER SUFFIXES TO INDICATE COLOR AND/OR PACKAGE QUANTITIES.
- SEE CATALOG FOR A COMPLETE LIST OF PARTS APPLICABLE FOR USE WITH THIS PRODUCT.
- MATERIALS:
A. MODULE MATERIAL: PLASTIC
B. ADAPTER: COMPOSITE PLASTIC
- CASSETTE MODULE WEIGHT:
2.4oz (69.0g)
- DIMENSIONS IN BRACKETS ARE METRIC

LC CONNECTOR LATCH DOWN



FIBER POSITION

2	1	4	3	6	5	8	7	10	9	12	11
---	---	---	---	---	---	---	---	----	---	----	----

METHOD A 12F - CASSETTE (AF)												
MPO END / LC END	FIBER POSITION FROM MPO END TO LC END											
MPO	1	2	3	4	5	6	7	8	9	10	11	12
LC	2	1	4	3	6	5	8	7	10	9	12	11

PART NUMBER		FQ** - 12-10AF	
TITLE			
QUICKNET SFQ SERIES CASSETTE, 12 FIBER DUPLEX LC TO MPO MODIFIED METHOD A, PAIR FLIPPED			
CUSTOMER DRAWING			
ITEM REVISION NAME		M02947ZD/05	
DATASET FILE NAME		M02947ZD_DC/05A	
UNLESS OTHERWISE SPECIFIED, DIMENSIONAL TOLERANCES ARE: IN (mm)		MATERIAL:	
.X ±		.XXX ±	
.XX ±		ANGLES ±	
DRAWING NUMBER:		02947-30	
DRAWN BY		SCALE	
EFK		NONE	
DATE		SHT 1 OF 1	
8-28-04		A	
CHK		SIZE	
WMA		A	

REV	DATE	BY	CHK	APR	DESCRIPTION	ECN
5	11/19/15	JSP	WJM	RAR	B. ADDED FIBER POSITION CHART. A. UPDATED DRAWING TITLE BLOCK.	02947-30

D10100DA/14