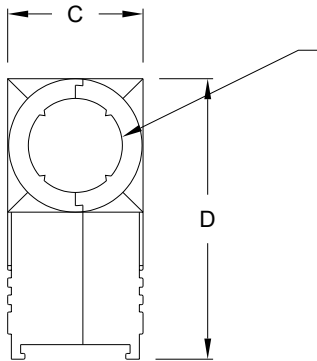
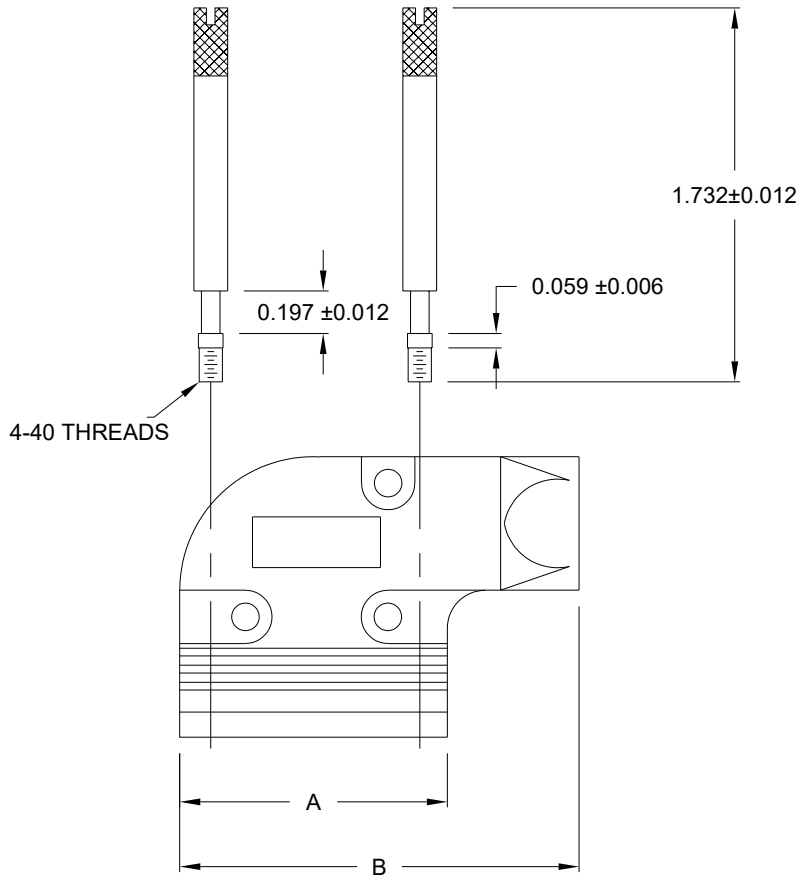


DIMENSIONS (IN.)				
No. OF PINS	A	B	C±0.020	D±0.020
9	1.265	1.850	0.630	1.300
15	1.580	2.314	0.630	1.300
25	2.130	2.840	0.630	1.300

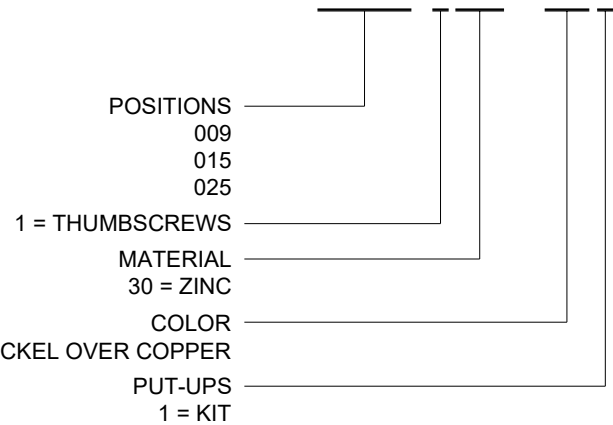


BACKSHELL KIT INCLUDES:

- (2) BACKSHELL HALVES
- (3) HOUSING SCREWS & NUTS (#4-40, RECOMMENDED TORQUE 5.2 in-lbs)
- (2) THUMBSCREWS (#4-40, RECOMMENDED TORQUE 60 in-oz)
- (1) GROMMET TREE (NON-CONDUCTIVE) [162-000-925R000]

- GROMMET TREE SIZES INSIDE Ø
(162-000-925R000)
- 0.185"
 - 0.248"
 - 0.290"
 - 0.324"
- MAX CABLE Ø WITHOUT GROMMETS
0.393"

981-YYY-130R121



MATERIAL: DIE-CAST ZINC ALLOY, NICKEL PLATED
OPERATING TEMPERATURE: -45°C TO +120°C

RoHS COMPLIANT

UNITS = inch **DO NOT SCALE FROM DRAWING**

	THESE DRAWINGS AND SPECIFICATIONS ARE THE PROPERTY OF NorComp AND SHALL NOT BE REPRODUCED, COPIED OR USED AS THE BASIS FOR THE MANUFACTURE OR SALE OF APPARATUS WITHOUT WRITTEN PERMISSION.	DRAWN: C. SMITH
		DATE: 02/16/2007

	SCALE: NTS	SHEET 1 OF 1	REV 8
	DWG NO. 981-YYY-130R121		