

DESCRIPTION: 970 SERIES D-SUB BACKSHELL

BACKSHELL KIT INCLUDES:

- (2) BACKSHELL HALVES
- (2) 4-40 THUMBSCREWS
- (2) HOUSING SCREWS/NUTS
- (1) SET OF COMPRESSION INSERTS - VARIOUS SIZES
 $\varnothing 0.157$ [4.0], $\varnothing 0.197$ [5.0], $\varnothing 0.276$ [7.0], $\varnothing 0.354$ [9.0]

MATERIAL: NICKEL PLATED ABS VH-0800
UL 94-HB

JACKSCREWS: ZINC PLATED STEEL

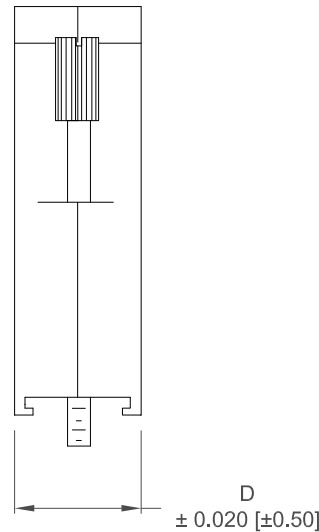
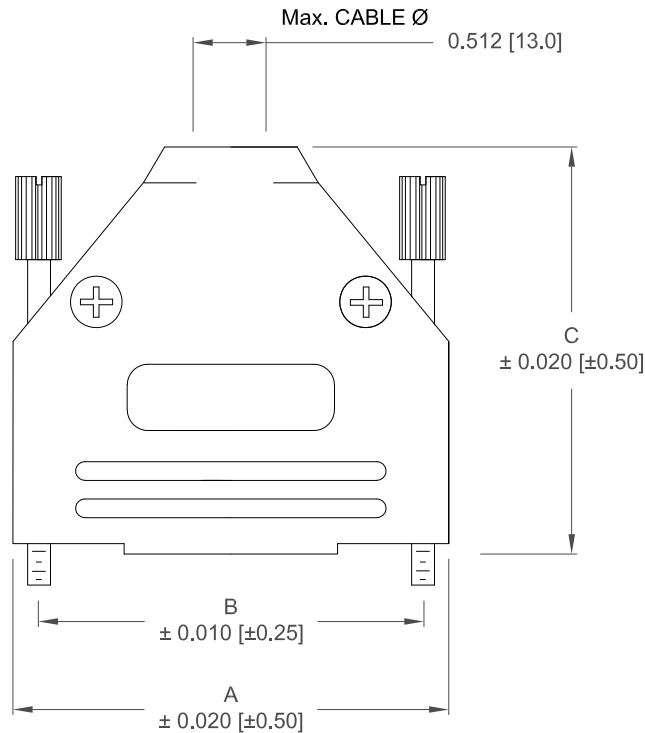
M3 HOODSCREWS: ZINC PLATED STEEL

COMPRESSION INSERT: ABS UL 94-HB

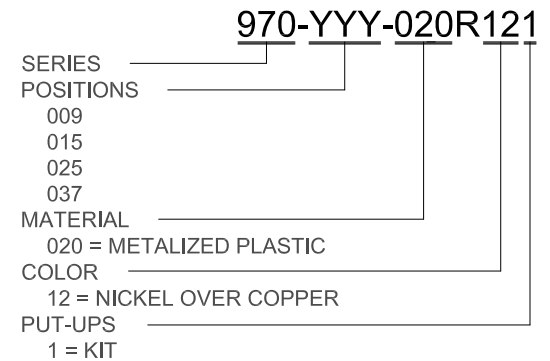
M3 NUT: ZINC PLATED STEEL

OPERATING TEMP: -55°C TO +110°C

****NOTE: 3 in-lbs IS RECOMMENDED TORQUE FOR HOUSING SCREWS**



DIMENSIONS (in/mm)				
No. OF PINS	A	B	C	D
9	1.240	0.984	1.594	0.591
	31.50	24.99	40.50	15.00
15	1.575	1.312	1.594	0.591
	40.00	33.32	40.50	15.00
25	2.126	1.852	1.949	0.591
	54.00	47.04	49.50	15.00
37	2.776	2.500	2.146	0.630
	70.50	63.50	54.50	16.00



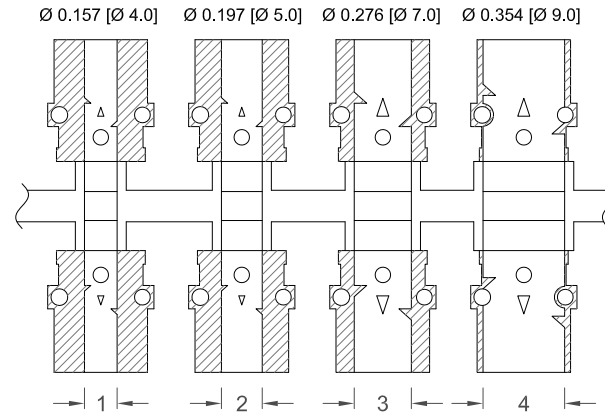
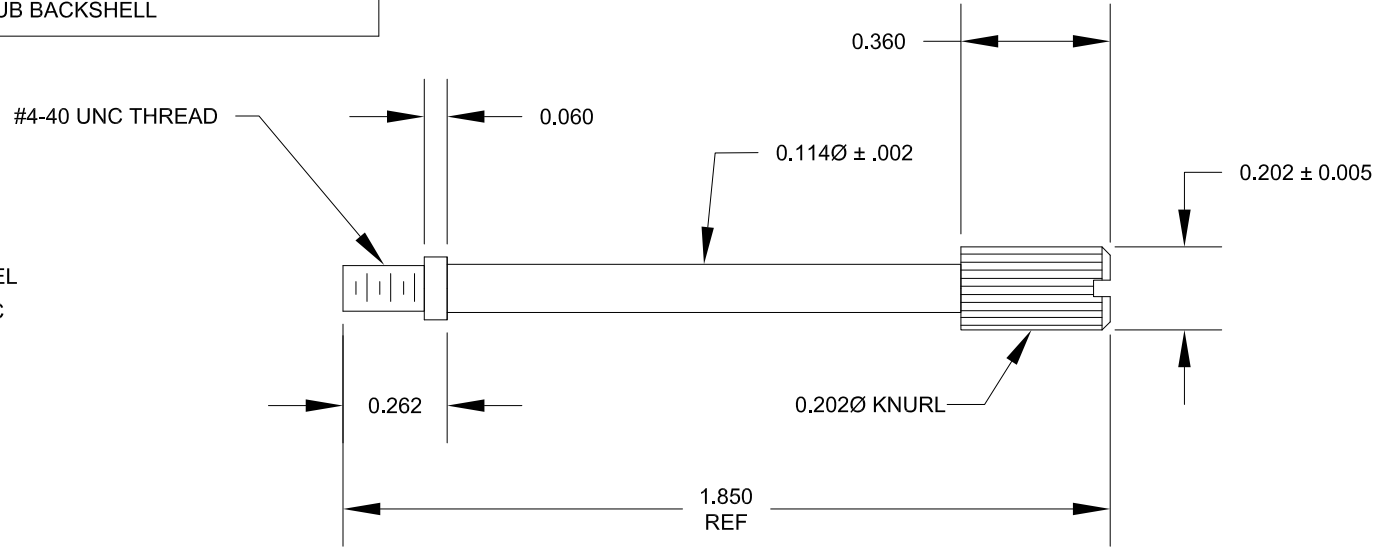
UNITS = INCHES [MM]

	THESE DRAWINGS AND SPECIFICATIONS ARE THE PROPERTY OF NorComp AND SHALL NOT BE REPRODUCED, COPIED OR USED AS THE BASIS FOR THE MANUFACTURE OR SALE OF APPARATUS WITHOUT WRITTEN PERMISSION.		DRAWN: PAM JENKINS	DATE: 6-09-05
			SCALE NTS	SHEET 1 OF 2
DWG NO.			970-YYY-020R121	

RoHS COMPLIANT

DESCRIPTION: 970 SERIES D-SUB BACKSHELL

MATERIAL: STEEL
PLATING: ZINC



PLASTIC INSERTS

UNITS = INCHES [MM]



THESE DRAWINGS AND SPECIFICATIONS ARE THE PROPERTY OF NorComp AND SHALL NOT BE REPRODUCED, COPIED OR USED AS THE BASIS FOR THE MANUFACTURE OR SALE OF APPARATUS WITHOUT WRITTEN PERMISSION.

DRAWN: PAM JENKINS		DATE: 6-09-05	
SCALE NTS	SHEET 2	OF 2	REV 15
DWG. NO. 970-YYY-020R121			

RoHS COMPLIANT

NorComp