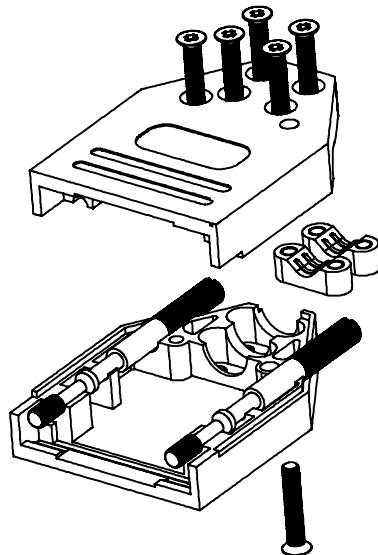
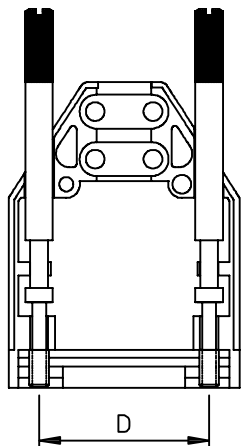
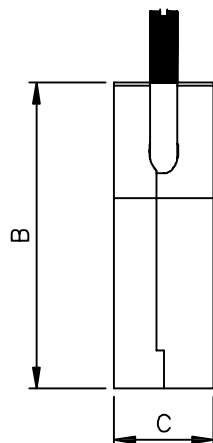
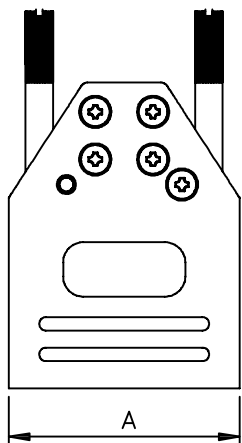


DESCRIPTION: STRAIGHT ENTRY BACKSHELL - CLAMP STRAIN RELIEF



BACKSHELL MATERIAL:
 PLATING:
 JACKSCREWS:
 CLAMP SCREWS:
 CLAMPS:
 OPERATING TEMP:

DIE-CAST ZINC ALLOY
 NICKEL
 STEEL:NICKEL PLATED
 STEEL:ZN PLATED
 ZINC DIE CAST
 -40°C TO+120°C

BACKSHELL KIT INCLUDES:

- (2) BACKSHELL HALVES
- (2) 4-40 THUMBSCREWS
- (6) CLAMP SCREWS
- (2) CLAMPS

DIMENSIONS

SIZE		A	B	C	D	MAX WIRE DIAMETER (W/O CLAMPS)
TOLERANCE		±0.50MM/ ±0.02IN	±0.50MM/ ±0.02IN	±0.50MM/ ±0.02IN	±0.25MM/ ±0.01IN	-
9	MM	34.0	45.0	14.6	24.99	8.0
	IN	1.34	1.77	0.57	0.98	0.314
15	MM	43.0	45.0	14.6	33.32	11.6
	IN	1.69	1.77	0.57	1.31	0.456
25	MM	56.5	45.0	14.6	47.04	11.6
	IN	2.22	1.77	0.57	1.85	0.456
37	MM	73.0	45.0	14.6	63.50	11.6
	IN	2.87	1.77	0.57	2.50	0.456
50	MM	71.0	45.0	17.4	61.00	14.0
	IN	2.80	1.77	0.69	2.40	0.551

961-YYY-030R121

- 009 = 9 POSITION
- 015 = 15 POSITION
- 025 = 25 POSITION
- 037 = 37 POSITION
- 050 = 50 POSITION

RoHS COMPLIANT

UNITS = INCHES [MM] DO NOT SCALE FROM DRAWING



THESE DRAWINGS AND SPECIFICATIONS ARE THE PROPERTY OF NorComp AND SHALL NOT BE REPRODUCED, COPIED OR USED AS THE BASIS FOR THE MANUFACTURE OR SALE OF APPARATUS WITHOUT WRITTEN PERMISSION.

DRAWN:
 J. KADEL
 DATE:
 11/13/2018

NorComp

SCALE: NTS
 SHEET 1 OF 1
 REV 1
 DWG NO. 961-YYY-030R121