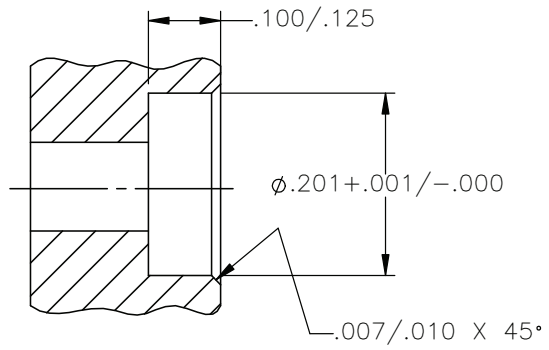
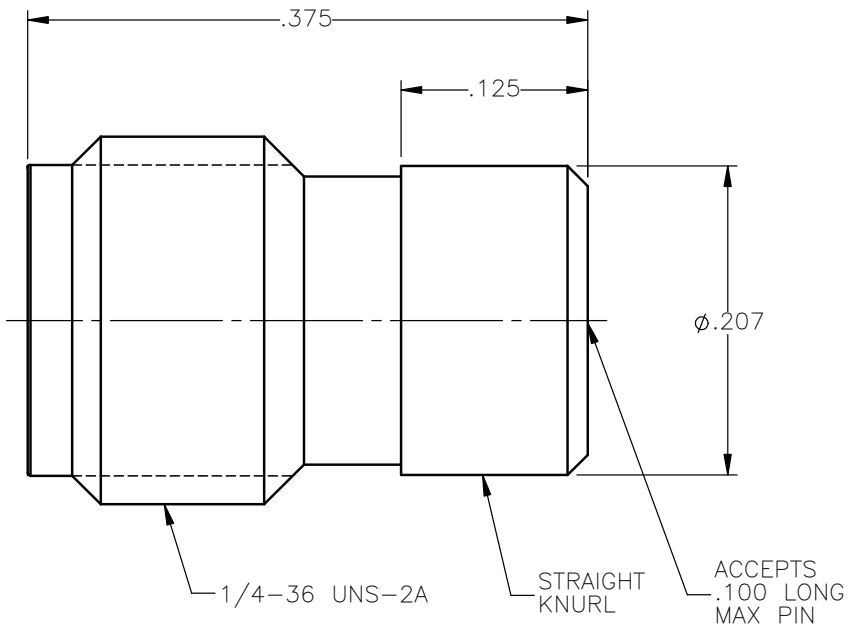


REVISIONS			
REV.	DESCRIPTION	DATE	APPROVED
A	INITIAL RELEASE	03/08/12	D.N.



SMA KNURL MOUNT DIMENSIONS



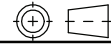
NOTES:

MATERIALS:

1. BODY = STAINLESS STEEL PER ASTM A582, ALLOY 303, CONDITION "A".
2. INSULATOR = VIRGIN WHITE TEFLON PER ASTM D1710, GRADE 1, TYPE I, CLASS "B".
3. CONTACT = BERYLLIUM COPPER PER ASTM B196, ALLOY C17300, TEMPER TD04.

FINISHES:

1. BODY = PASSIVATE PER QQ-P-35, TYPE VI.
2. CONTACT = GOLD PLATE PER MIL-G-45204, TYPE II, CLASS 1, GRADE C, OVER .00010 TO .00020 STRESS FREE SULFAMATE NICKEL PER QQ-N-290.

UNLESS OTHERWISE SPECIFIED DIMENSIONS ARE IN INCHES TOLERANCES ON		DWN: D.N.	DATE: 03/08/12	 <b>Property of Radiall</b> This document cannot be reproduced or communicated to a third party without prior written permission of RADIALL.	
DECIMAL	ANGLE	CHKD: J.S.	DATE: 03/08/12		
		APVD: J.M.	DATE: 03/08/12		
REFERENCE:		MATERIALS & FINISHES: SEE NOTES		<b>SMA STRAIGHT JACK KNURL MOUNT RECEPTACLE</b>	
ORIGINATED: D.N. DATE: 03/08/12		SIZE: A	FSCM NO.: 19505		
		SCALE: 8:1		THIRD ANGLE PROJECTION 	
				SHEET 1 OF 1	

9533-9113-001