

T-3¼ MINIATURE BAYONET BASE

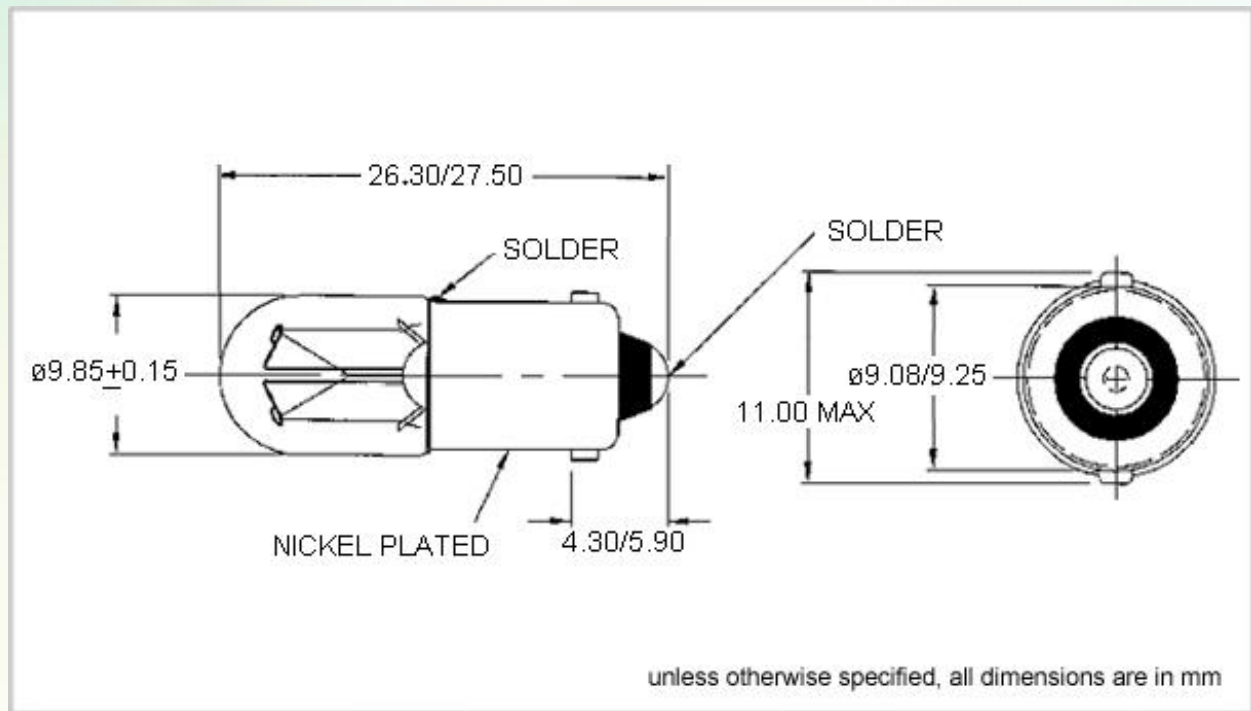
MINIATURE LAMP

130V 22mA

WAMCO PART NO.	ENVELOPE SIZE	BASE TYPE	RATING	FILAMENT SHAPE
WL-949	T-3¼	BA9s	130V 22mA	2CC-2F

TEST VOLTS	CURRENT (mA)			LIGHT OUTPUT (MSCP)			LIFE HRS
	MIN	NOM	MAX	MIN	NOM	MAX	
130V	19	22	25	.30	.40	.50	2,000

DIMENSIONAL CHARACTERISTICS



NOTES

1. Two 65V CC-2F filaments in series
2. Part mark WL-949
3. RoHS compliant
4. ANSI trade number 949
5. Filament positioning to be +/- 1.64 mm from center line

wamco
LIGHTING