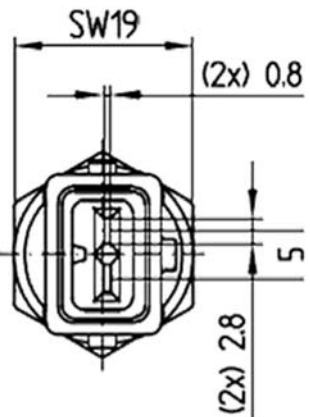
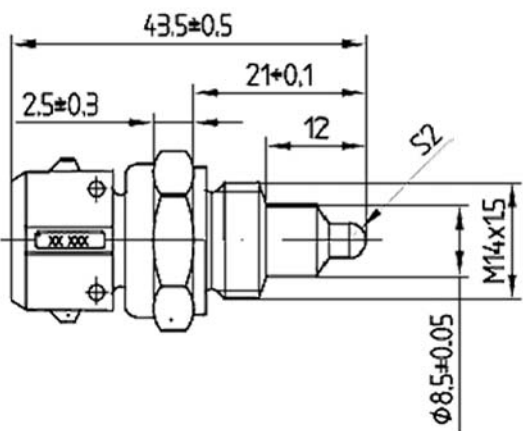


# Temperature sensor

## 94099

NTC sensor



<b>Connector</b> 		<b>Dimensions</b> 	
<b>Media</b>	Liquid media e.g. water, oil	<b>Connector</b>	AMP Junior Power Timer, 2-pole, Female connector on request
<b>Nominal resistance</b>	2,251 Ω (25 °C) 153 Ω (100 °C) *	<b>Sealing ring</b>	Al 99 %, alternative Cu
<b>Temperature range</b>	- 40 °C to + 150 °C	<b>Protection range</b>	IP 69
<b>Time of response</b>	T90 ≤ 15 s (water)	<b>Order number</b>	9409900030 (with thread M12 x 1.5)
<b>Thread</b>	M12 x 1.5 or M14 x 1.5	<b>Order number</b>	9409901020 (with thread M14 x 1.5)