



Interface cover for operator panel 3RA69350A and SIMOCODE 3UF7

General technical data				
product brand name		SIRIUS		
product designation		Interface covers/titanium gray		
relative humidity during operation	%	10 ... 90		
ambient temperature				
• during transport	°C	-55 ... +80		
• during storage	°C	-55 ... +80		
• during operation	°C	-20 ... +60		
reference code acc. to DIN EN 61346-2		T		
Installation/ mounting/ dimensions				
width	mm	18		
height	mm	16		
depth	mm	10		
Certificates/ approvals				
General Product Approval	EMC	Declaration of Conformity	Shipping Approval	other



[Miscellaneous](#)



[Confirmation](#)

Further information

Information- and Downloadcenter (Catalogs, Brochures,...)

<https://www.siemens.com/ic10>

Industry Mall (Online ordering system)

<https://mall.industry.siemens.com/mall/en/en/Catalog/product?mlfb=3RA6936-0B>

Cax online generator

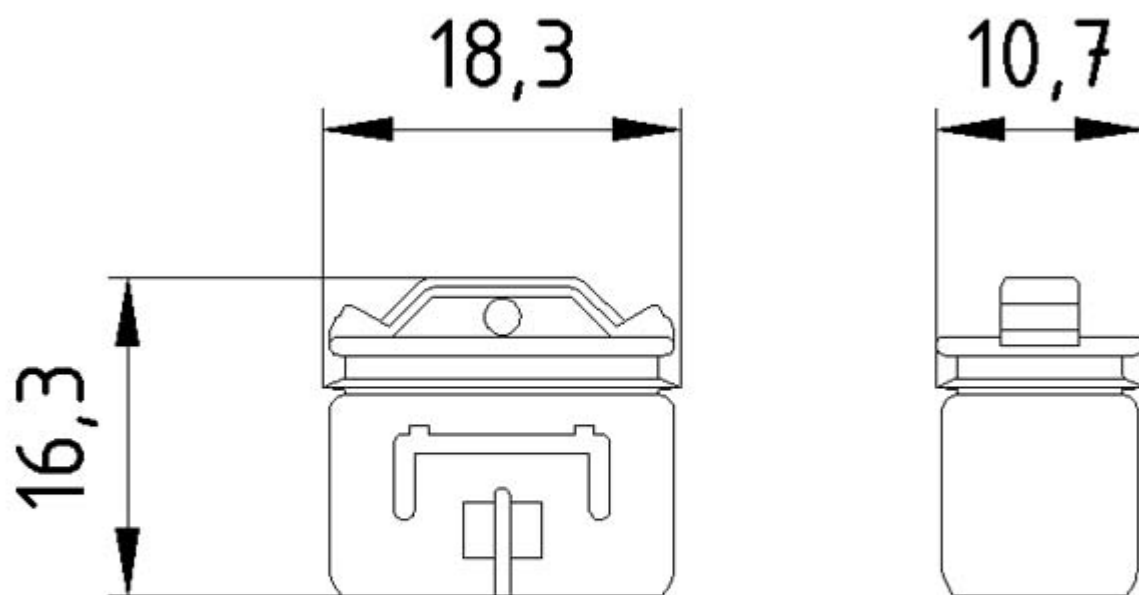
<http://support.automation.siemens.com/WW/CAXorder/default.aspx?lang=en&mlfb=3RA6936-0B>

Service&Support (Manuals, Certificates, Characteristics, FAQs,...)

<https://support.industry.siemens.com/cs/ww/en/ps/3RA6936-0B>

Image database (product images, 2D dimension drawings, 3D models, device circuit diagrams, EPLAN macros, ...)

http://www.automation.siemens.com/bilddb/cax_de.aspx?mlfb=3RA6936-0B&lang=en



last modified:

11/19/2020 