

# XS8C1A1PBL01M12

Inductive proximity sensors XS, inductive sensor XS8 40x40x15, PBT, Sn25mm, 12...24 VDC, M12 0.15 m



## Main

|                                    |  |
|------------------------------------|--|
| Range of Product                   | Telemecanique Inductive proximity sensors XS                           |
| Series name                        | General purpose  |
| Sensor Type                        | Inductive proximity sensor   |
| Device Application                 | -  |
| Sensor name                        | XS8  |
| Sensor design                      | Flat form 40 x 40 x 15   |
| Size                               | 15 mm  |
| Body type                          | Fixed  |
| Detector flush mounting acceptance | Non flush mountable  |
| Material                           | Plastic  |
| Enclosure Material                 | PBT  |
| Type of output signal              | Discrete   |
| Wiring Technique                   | 3-wire   |
| [Sn] nominal sensing distance      | 0.59 in (15 mm) flush mountable<br>0.98 in (25 mm) non flush mountable |
| Discrete output function           | 1 NC   |
| Output circuit type                | DC   |
| Discrete output type               | PNP  |
| Electrical connection              | Remote male connector M12, 4 pins                                      |
| Cable length                       | 0.49 ft (0.15 m)   |
| [Us] rated supply voltage          | 12...24 V DC reverse polarity protection                               |
| Switching capacity in mA           | <= 200 mA DC overload and short-circuit protection                     |
| IP degree of protection            | IP67 double insulation conforming to IEC 60529                         |

## Complementary

|                          |  |
|--------------------------|--|
| Detection face           | Frontal  |
| Front material           | PBT  |
| Fine adjustment zone     | 0.31...0.59 in (8...15 mm) flush mountable<br>0.31...0.98 in (8...25 mm) non flush mountable |
| Differential travel      | 1...15% of Sr  |
| Wire insulation material | PvR  |
| Supply voltage limits    | 10...36 V DC   |
| Maximum residual current | 1.5 mA open state  |
| Switching frequency      | <= 1000 Hz   |
| Maximum voltage drop     | <2 V closed)   |
| Current consumption      | <= 10 mA no-load   |
| Maximum delay first up   | 10 ms  |
| Maximum delay response   | 0.3 ms   |
| Maximum delay recovery   | 0.8 ms   |
| Marking                  | CE   |
| Depth                    | 0.59 in (15 mm)  |
| Height                   | 1.57 in (40 mm)  |
| Width                    | 1.57 in (40 mm)  |

## Environment

|                                       |   |
|---------------------------------------|---|
| Product Certifications                | Ecolab<br>UL<br>CSA                     |
| Ambient Air Temperature for Operation | -13...158 °F (-25...70 °C)              |
| Ambient Air Temperature for Storage   | -40...185 °F (-40...85 °C)              |
| Vibration resistance                  | 25 gn +/- 2 mm 10...55 Hz)IEC 60068-2-6 |
| Shock resistance                      | 50 gn 11 ms IEC 60068-2-27              |

## Ordering and shipping details

|                       |                          |
|-----------------------|--------------------------|
| Category              | 22486-SENSORS, PROXIMITY |
| Discount Schedule     | DS2                      |
| GTIN                  | 3389110142747            |
| Nbr. of units in pkg. | 1                        |
| Package weight(Lbs)   | 3.03 oz (85.9 g)         |
| Returnability         | No                       |
| Country of origin     | FR                       |

## Packing Units

|                              |                        |
|------------------------------|------------------------|
| Unit Type of Package 1       | PCE                    |
| Package 1 Height             | 1.65 in (4.2 cm)       |
| Package 1 width              | 2.64 in (6.7 cm)       |
| Package 1 Length             | 3.78 in (9.6 cm)       |
| Unit Type of Package 2       | S01                    |
| Number of Units in Package 2 | 22                     |
| Package 2 Weight             | 4.67 lb(US) (2.117 kg) |
| Package 2 Height             | 5.91 in (15 cm)        |
| Package 2 width              | 5.91 in (15 cm)        |
| Package 2 Length             | 15.75 in (40 cm)       |

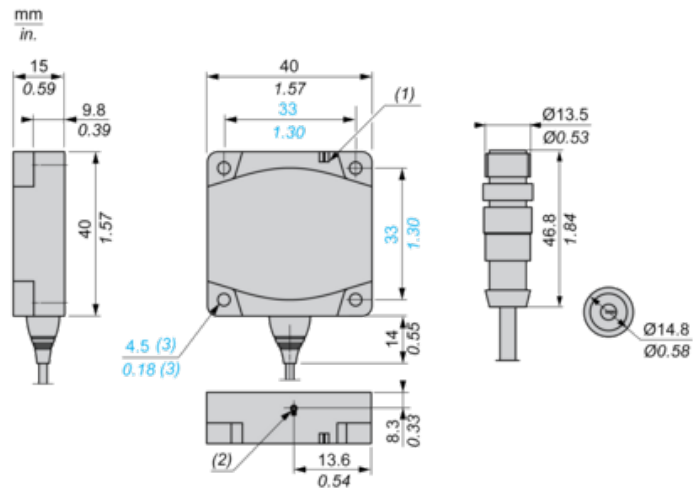
## Offer Sustainability

|                            |   |
|----------------------------|---|
| Sustainable offer status   | Green Premium product   |
| California proposition 65  | WARNING: This product can expose you to chemicals including: Diisononyl phthalate (DINP), which is known to the State of California to cause cancer, and Di-isodecyl phthalate (DIDP), which is known to the State of California to cause birth defects or other reproductive harm. For more information go to <a href="http://www.P65Warnings.ca.gov">www.P65Warnings.ca.gov</a> |
| REACH Regulation           | <a href="#">REACH Declaration</a>   |
| EU RoHS Directive          | Pro-active compliance (Product out of EU RoHS legal scope) <a href="#">EU RoHS Declaration</a>  |
| Mercury free               | Yes   |
| RoHS exemption information | <a href="#">Yes</a>   |
| Environmental Disclosure   | <a href="#">Product Environmental Profile</a>   |

## Contractual warranty

|          |           |
|----------|-----------|
| Warranty | 18 months |
|----------|-----------|

Dimensions

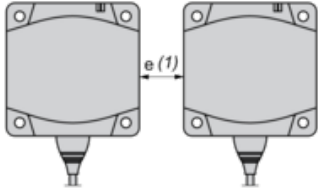


- (1) LED
- (2) Teach mode button
- (3) For CHC type screws

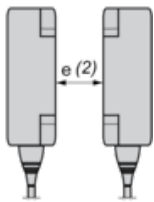
Setting-up

Minimum Mounting Distances (mm)

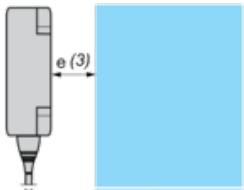
Side by Side



Face to Face



Facing a Metal Object



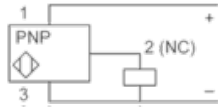
|                   | e (1) | e (2) | e (3) |
|-------------------|-------|-------|-------|
| Flush mounted     | 60    | 120   | 15    |
| Not flush mounted | 125   | 250   |       |

---

## Wiring Schemes

---

### PNP



### M12

