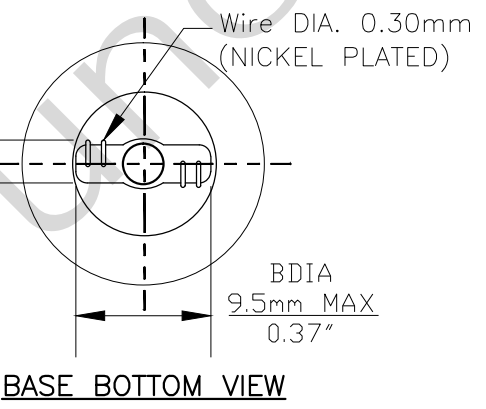
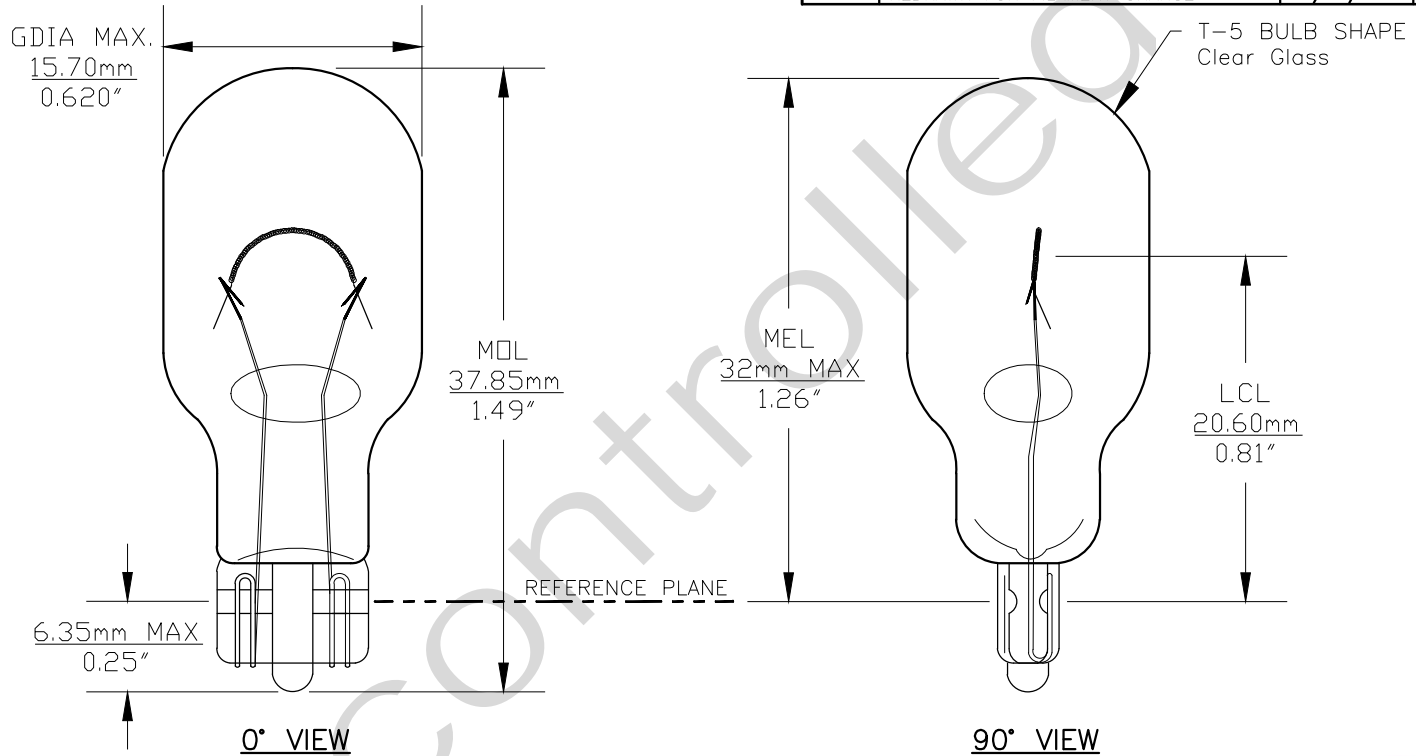




PART NO.	BASE TYPE	DESIGN VOLTS	DESIGN AMPS	MSCD	FILAMENT TYPE	AVERAGE LIFE HOURS
912	Glass Wedge W2.1X9.5d (T-5)	12.8V	1.0±10%	12.0±15%	C-2R	1000

REVISIONS			
REV #	DESCRIPTION	DATE	APPROVED
1	ISSUED	11/07/2003	S.L.
2	VERIFIED DIMENSIONS ACCORDING TO SAE STANDARDS	11/07/2003	A.S.
3	REDRAWN	05/16/2006	D.C.
4	REDRAWN FOR FILAMENT CHANGE	06/26/2014	R.M.



Note: Made according to SAE specifications



UNLESS OTHERWISE SPECIFIED: DIMENSIONS ARE IN INCHES TOLERANCES		CEC INDUSTRIES LTD	
DECIMALS	ANGULAR	599 BOND STREET LINCOLNSHIRE, IL 60069	
.XX ± .05	± 0.5°		
.XXX ± .010			
FRACTIONAL	± 1/64		
DRAWN SIDNEY LIU	DATE 11/14/1995	TITLE LIGHT BULB NO. 912	
CHECKED	SIZE A	FSCM NO.	DWG NO. 912
DESIGN	SCALE	PLOT SCALE	REV 4
MATERIAL	FILE 912.pdf	SHEET 1 OF 1	
		DRAWING NOT TO SCALE	