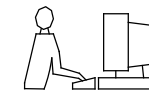
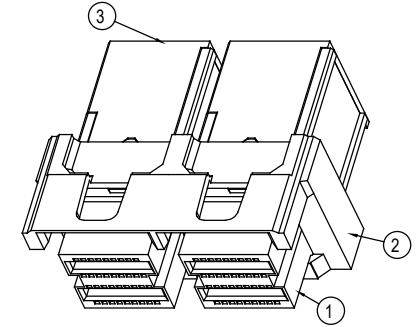
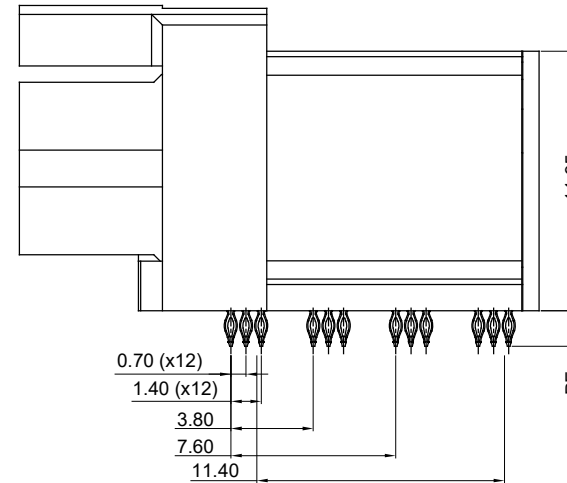
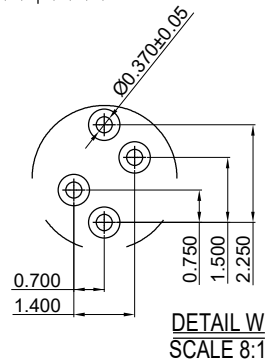
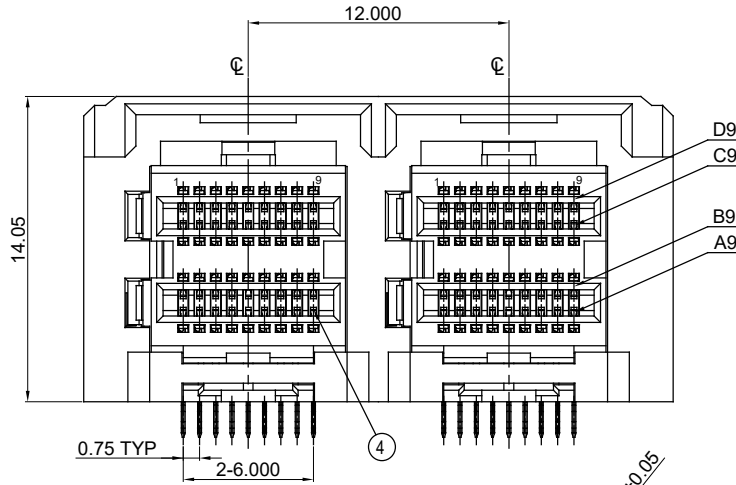


TOLERANCE UNLESS OTHERWISE SPECIFIED	
.X	±0.25
.XX	±0.15
.XXX	±0.10

THIS IS A C.A.D. GENERATED DRAWING
DO NOT MAKE MANUAL REVISIONS TO MASTER.



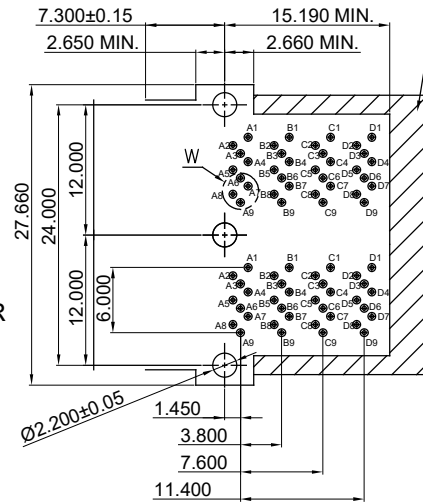
ISSUE NUMBER
ORIGINAL (1)



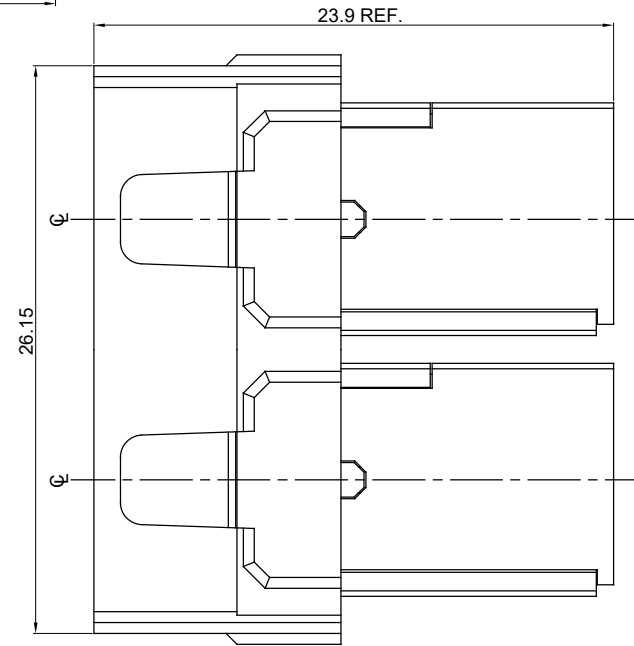
NOTES:

MATERIAL: L.C.P SERIES, UL-94V-0
 HOUSING: COLOR: BLACK
 CONTACT: COPPER ALLOY
 GOLD FLASH PLATING ON CONTACT AREA &
 MATTE TIN PLATING 30~120 u" ON SOLDER TAIL OVER
 50~150 u" NICKEL UNDER PLATING

KEEP COMPONENT OUT AREA



RECOMMENDED PCB LAYOUT (TOP VIEW)
TOLERANCE=±0.05mm



NO.	DESCRIPTION	QTY.	MATERIAL	FINISH/COLOR
4	CONTACT(IM)	36	COPPER ALLOY	SEE NOTES
3	HOUSING	1	L.C.P SERIES, UL94 V-0	BLACK
2	COVER HOUSING	1	L.C.P SERIES, UL94 V-0	-
1	BODY HOUSING	1	L.C.P SERIES, UL94 V-0	-

MINI SAS HD EXTERNAL, RIGHT ANGLE PRESS FIT,
FEMALE, 36 CONTACTS

ACAD REFERENCE NO.: 902-036-225-002	
DRAWN: W.T	DATE: JUNE.28 /2018
CHECKED:	DATE:
SCALE: N.T.S	SHEET 1 OF 1
DRAWING NUMBER: 902-036-225-002	ISSUE
PART NUMBER: 902-036-225-002	1



THIS SERIES FULLY CONFORMS TO
THE EUROPEAN UNION DIRECTIVES
2011/65/EU FOR RoHS COMPLIANCY.



YOUR CONNECTION TO QUALITY & SERVICE

EDAC INC
TORONTO, ONTARIO
CANADA

THESE DRAWINGS AND SPECIFICATIONS
ARE THE PROPERTY OF EDAC INC., AND
SHALL NOT BE REPRODUCED, OR COPIED
OR USED AS THE BASIS FOR THE
MANUFACTURE OR SALE OF APPARATUS
WITHOUT WRITTEN PERMISSION.