

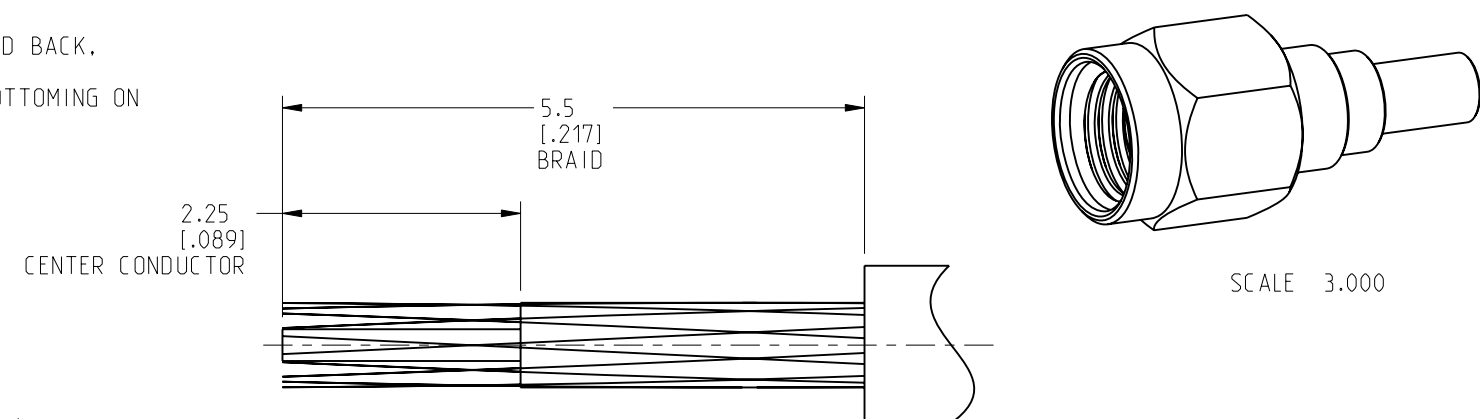
NOTES:

1. MATERIALS AND FINISHES:
 BODY, BULLET CONTACT, COUPLING NUT,
 INNER FERRULE & SLEEVE - BRASS, GOLD PLATING
 CONTACT - BeCu, GOLD PLATING
 INSULATOR & INSULATOR DISC - PTFE, NATURAL
 RETAINING RING - STAINLESS STEEL, NATURAL
 GASKET - SILICONE RUBBER, RED
2. ELECTRICAL:
 A. IMPEDANCE: 50 OHM
 B. FREQUENCY RANGE: DC - 6 GHz
 C. VSWR: 1.30 MAX. DC - 3 GHz
 1.40 MAX. 3 - 6 GHz
 D. DIELECTRIC WITHSTANDING VOLTAGE: 500 VRMS, MIN.
3. MECHANICAL:
 A. DURABILITY: 500 CYCLES MIN.
 B. TEMPERATURE RANGE: -65°C TO +165°C

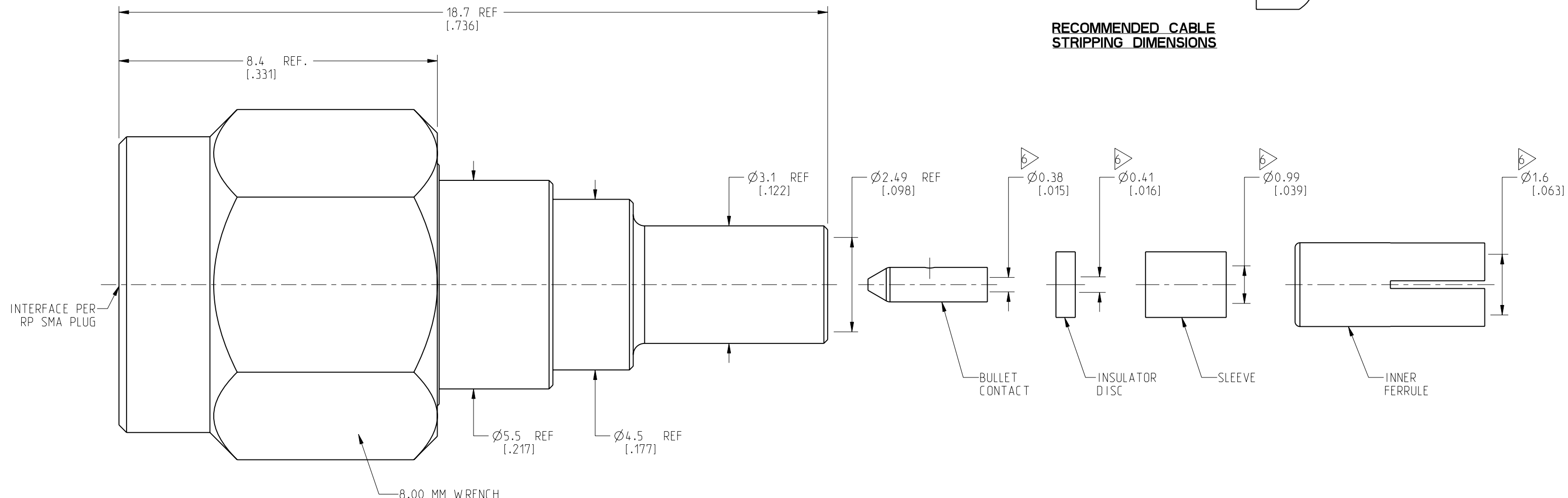
4. PACKAGING:
 A. QUANTITY: SINGLE PACK
 B. MARKING: PACKAGING TO BE MARKED
 "AMPHENOL RF, 901-10782, DATE CODE"
5. CABLE ASSEMBLY INSTRUCTIONS:
 A. TRIM CABLE AS SHOWN.
 B. INSERT CABLE THROUGH INNER FERRULE AND PEEL BRAID BACK,
 OVER INNER FERRULE
 C. INSTALL SLEEVE AND INSULATOR DISC OVER CABLE, BOTTOMING ON
 INNER FERRULE.
 D. SOLDER CONTACT TO CABLE CENTER CONDUCTOR,
 BOTTOMING ON INSULATOR DISC.
 E. INSERT CABLE INTO CONNECTOR UNTIL IT BOTTOMS.
 F. CRIMP BODY OVER INNER FERRULE USING .105" HEX.

6 SHOWS CABLE ENTRY DIMENSIONS

REVISIONS				
REV	DESCRIPTION	DATE	ECN	BY
A	RELEASE TO MFG	17-MAR-22	16115	SH



RECOMMENDED CABLE STRIPPING DIMENSIONS



CUSTOMER OUTLINE DRAWING
 ALL OTHER SHEETS ARE FOR INTERNAL USE ONLY

NOTICE: These drawings, specifications, or other data (1) are, and remain the property of Amphenol corp. (2) must be returned upon request; and (3) are confidential and not to be disclosed to any person other than those to whom they are given by Amphenol Corp. The furnishing of these drawings, specifications, or other data by Amphenol Corp., or to any other person to anyone for any purpose is not to be regarded by implication or otherwise in any manner licensing, granting rights to permitting such holder or any other person to manufacture, use or sell any product, process or design, patented or otherwise, that may in any way be related to or disclosed by said drawings, specifications, or other data.

UNLESS OTHERWISE SPECIFIED, DIMENSIONS ARE METRIC (INCHES) AND TOLERANCES ARE:
 <0.5mm = ±0.05mm [$\pm 0.020 = \pm 0.002$]
 >0.5 - 6mm = ±0.1mm [$\pm 0.020 - 0.236 = \pm 0.004$]
 >6.00 - 30mm = ±0.2mm [$\pm 0.236 - 1.181 = \pm 0.008$]
 >30.00 - 120mm = ±0.3mm [$\pm 1.181 - 4.725 = \pm 0.012$]

MATERIAL: SEE NOTES
 ENGR.1: C.CROTTY ENGR.2: WIKI DATE: 11-JAN-21

TITLE: RP SMA STR PLUG FOR 1.37 MM CABLE
 SHEET NO. 2 OF 2 SCALE: 10.0:1.0

Amphenol RF
 DRAWING NO. 901-10782
 ITEM NO. 901-10782
 PART NO. 901-10782
 REV: A

THIRD ANGLE PROJ.

REFERENCE: EAR# 10126

ANGLES = ±1°