



SIRIUS soft starter 200-480 V 210 A, 24 V AC/DC spring-type terminals
Thermistor input

product brand name	SIRIUS
product category	Hybrid switching devices
product designation	Soft starter
product type designation	3RW52
manufacturer's article number	<ul style="list-style-type: none"> • of standard HMI module usable 3RW5980-0HS00 • of high feature HMI module usable 3RW5980-0HF00 • of communication module PROFINET standard usable 3RW5980-0CS00 • of communication module PROFIBUS usable 3RW5980-0CP00 • of communication module Modbus TCP usable 3RW5980-0CT00 • of communication module Modbus RTU usable 3RW5980-0CR00 • of communication module Ethernet/IP 3RW5980-0CE00 • of circuit breaker usable at 400 V 3VA2325-7MN32-0AA0: Type of coordination 1, Iq = 65 kA, CLASS 10 • of circuit breaker usable at 500 V 3VA2325-7MN32-0AA0: Type of coordination 1, Iq = 65 kA, CLASS 10 • of circuit breaker usable at 400 V at inside-delta circuit 3VA2440-7MN32-0AA0: Type of coordination 1, Iq = 65 kA, CLASS 10 • of circuit breaker usable at 500 V at inside-delta circuit 3VA2440-7MN32-0AA0: Type of coordination 1, Iq = 65 kA, CLASS 10 • of the gG fuse usable up to 690 V 2x3NA3354-6; Type of coordination 1, Iq = 65 kA • of the gG fuse usable at inside-delta circuit up to 500 V 2x3NA3354-6; Type of coordination 1, Iq = 65 kA • of full range R fuse link for semiconductor protection usable up to 690 V 3NE1230-2: Type of coordination 2, Iq = 65 kA • of back-up R fuse link for semiconductor protection usable up to 690 V 3NE3333: Type of coordination 2, Iq = 65 kA
General technical data	
starting voltage [%]	30 ... 100 %
stopping voltage [%]	50 %; non-adjustable
start-up ramp time of soft starter	0 ... 20 s
current limiting value [%] adjustable	130 ... 700 %
certificate of suitability	<ul style="list-style-type: none"> • CE marking Yes • UL approval Yes • CSA approval Yes
product component	<ul style="list-style-type: none"> • HMI-High Feature No • is supported HMI-Standard Yes • is supported HMI-High Feature Yes
product feature integrated bypass contact system	Yes
number of controlled phases	3

trip class	CLASS 10A (default) / 10E / 20E; acc. to IEC 60947-4-2
buffering time in the event of power failure	
• for main current circuit	100 ms
• for control circuit	100 ms
insulation voltage rated value	600 V
degree of pollution	3, acc. to IEC 60947-4-2
impulse voltage rated value	6 kV
blocking voltage of the thyristor maximum	1 600 V
service factor	1
surge voltage resistance rated value	6 kV
maximum permissible voltage for safe isolation	
• between main and auxiliary circuit	600 V
shock resistance	15 g / 11 ms, from 12 g / 11 ms with potential contact lifting
vibration resistance	15 mm to 6 Hz; 2g to 500 Hz
utilization category according to IEC 60947-4-2	AC 53a
reference code according to IEC 81346-2	Q
Substance Prohibitance (Date)	02/15/2018
product function	
• ramp-up (soft starting)	Yes
• ramp-down (soft stop)	Yes
• Soft Torque	Yes
• adjustable current limitation	Yes
• pump ramp down	Yes
• intrinsic device protection	Yes
• motor overload protection	Yes; Full motor protection (thermistor motor protection and electronic motor overload protection)
• evaluation of thermistor motor protection	Yes; Type A PTC or Klixon / Thermoclick
• inside-delta circuit	Yes
• auto-RESET	Yes
• manual RESET	Yes
• remote reset	Yes; By turning off the control supply voltage
• communication function	Yes
• operating measured value display	Yes; Only in conjunction with special accessories
• error logbook	Yes; Only in conjunction with special accessories
• via software parameterizable	No
• via software configurable	Yes
• PROFenergy	Yes; in connection with the PROFINET Standard communication module
• firmware update	Yes
• removable terminal for control circuit	Yes
• torque control	No
• analog output	No
Power Electronics	
operational current	
• at 40 °C rated value	210 A
• at 50 °C rated value	186 A
• at 60 °C rated value	170 A
operational current at inside-delta circuit	
• at 40 °C rated value	364 A
• at 50 °C rated value	322 A
• at 60 °C rated value	294 A
operating voltage	
• rated value	200 ... 480 V
• at inside-delta circuit rated value	200 ... 480 V
relative negative tolerance of the operating voltage	-15 %
relative positive tolerance of the operating voltage	10 %
relative negative tolerance of the operating voltage at inside-delta circuit	-15 %
relative positive tolerance of the operating voltage at inside-delta circuit	10 %
operating power for 3-phase motors	

<ul style="list-style-type: none"> • at 230 V at 40 °C rated value 	55 kW
<ul style="list-style-type: none"> • at 230 V at inside-delta circuit at 40 °C rated value 	110 kW
<ul style="list-style-type: none"> • at 400 V at 40 °C rated value 	110 kW
<ul style="list-style-type: none"> • at 400 V at inside-delta circuit at 40 °C rated value 	200 kW
Operating frequency 1 rated value	50 Hz
Operating frequency 2 rated value	60 Hz
relative negative tolerance of the operating frequency	-10 %
relative positive tolerance of the operating frequency	10 %
adjustable motor current	
<ul style="list-style-type: none"> • at rotary coding switch on switch position 1 	90 A
<ul style="list-style-type: none"> • at rotary coding switch on switch position 2 	98 A
<ul style="list-style-type: none"> • at rotary coding switch on switch position 3 	106 A
<ul style="list-style-type: none"> • at rotary coding switch on switch position 4 	114 A
<ul style="list-style-type: none"> • at rotary coding switch on switch position 5 	122 A
<ul style="list-style-type: none"> • at rotary coding switch on switch position 6 	130 A
<ul style="list-style-type: none"> • at rotary coding switch on switch position 7 	138 A
<ul style="list-style-type: none"> • at rotary coding switch on switch position 8 	146 A
<ul style="list-style-type: none"> • at rotary coding switch on switch position 9 	154 A
<ul style="list-style-type: none"> • at rotary coding switch on switch position 10 	162 A
<ul style="list-style-type: none"> • at rotary coding switch on switch position 11 	170 A
<ul style="list-style-type: none"> • at rotary coding switch on switch position 12 	178 A
<ul style="list-style-type: none"> • at rotary coding switch on switch position 13 	186 A
<ul style="list-style-type: none"> • at rotary coding switch on switch position 14 	194 A
<ul style="list-style-type: none"> • at rotary coding switch on switch position 15 	202 A
<ul style="list-style-type: none"> • at rotary coding switch on switch position 16 	210 A
<ul style="list-style-type: none"> • minimum 	90 A
adjustable motor current	
<ul style="list-style-type: none"> • for inside-delta circuit at rotary coding switch on switch position 1 	156 A
<ul style="list-style-type: none"> • for inside-delta circuit at rotary coding switch on switch position 2 	170 A
<ul style="list-style-type: none"> • for inside-delta circuit at rotary coding switch on switch position 3 	184 A
<ul style="list-style-type: none"> • for inside-delta circuit at rotary coding switch on switch position 4 	197 A
<ul style="list-style-type: none"> • for inside-delta circuit at rotary coding switch on switch position 5 	211 A
<ul style="list-style-type: none"> • for inside-delta circuit at rotary coding switch on switch position 6 	225 A
<ul style="list-style-type: none"> • for inside-delta circuit at rotary coding switch on switch position 7 	239 A
<ul style="list-style-type: none"> • for inside-delta circuit at rotary coding switch on switch position 8 	253 A
<ul style="list-style-type: none"> • for inside-delta circuit at rotary coding switch on switch position 9 	267 A
<ul style="list-style-type: none"> • for inside-delta circuit at rotary coding switch on switch position 10 	281 A
<ul style="list-style-type: none"> • for inside-delta circuit at rotary coding switch on switch position 11 	294 A
<ul style="list-style-type: none"> • for inside-delta circuit at rotary coding switch on switch position 12 	308 A
<ul style="list-style-type: none"> • for inside-delta circuit at rotary coding switch on switch position 13 	322 A
<ul style="list-style-type: none"> • for inside-delta circuit at rotary coding switch on switch position 14 	336 A
<ul style="list-style-type: none"> • for inside-delta circuit at rotary coding switch on switch position 15 	350 A
<ul style="list-style-type: none"> • for inside-delta circuit at rotary coding switch on switch position 16 	364 A
<ul style="list-style-type: none"> • at inside-delta circuit minimum 	156 A
minimum load [%]	15 %; Relative to smallest settable le
power loss [W] for rated value of the current at AC	
<ul style="list-style-type: none"> • at 40 °C after startup 	75 W
<ul style="list-style-type: none"> • at 50 °C after startup 	68 W

<ul style="list-style-type: none"> at 60 °C after startup 	63 W
power loss [W] at AC at current limitation 350 %	
<ul style="list-style-type: none"> at 40 °C during startup 	3 562 W
<ul style="list-style-type: none"> at 50 °C during startup 	2 979 W
<ul style="list-style-type: none"> at 60 °C during startup 	2 617 W
Control circuit/ Control	
type of voltage of the control supply voltage	AC/DC
control supply voltage at AC	
<ul style="list-style-type: none"> at 50 Hz rated value 	24 V
<ul style="list-style-type: none"> at 60 Hz rated value 	24 V
relative negative tolerance of the control supply voltage at AC at 50 Hz	-20 %
relative positive tolerance of the control supply voltage at AC at 50 Hz	20 %
relative negative tolerance of the control supply voltage at AC at 60 Hz	-20 %
relative positive tolerance of the control supply voltage at AC at 60 Hz	20 %
control supply voltage frequency	50 ... 60 Hz
relative negative tolerance of the control supply voltage frequency	-10 %
relative positive tolerance of the control supply voltage frequency	10 %
control supply voltage	
<ul style="list-style-type: none"> at DC rated value 	24 V
relative negative tolerance of the control supply voltage at DC	-20 %
relative positive tolerance of the control supply voltage at DC	20 %
control supply current in standby mode rated value	160 mA
holding current in bypass operation rated value	470 mA
locked-rotor current at close of bypass contact maximum	7.6 A
inrush current peak at application of control supply voltage maximum	3.3 A
duration of inrush current peak at application of control supply voltage	12.1 ms
design of the overvoltage protection	Varistor
design of short-circuit protection for control circuit	4 A gG fuse (I _{cu} =1 kA), 6 A quick-acting fuse (I _{cu} =1 kA), C1 miniature circuit breaker (I _{cu} = 600 A), C6 miniature circuit breaker (I _{cu} = 300 A); Is not part of scope of supply
Inputs/ Outputs	
number of digital inputs	1
number of digital outputs	3
<ul style="list-style-type: none"> not parameterizable 	2
digital output version	2 normally-open contacts (NO) / 1 changeover contact (CO)
number of analog outputs	0
switching capacity current of the relay outputs	
<ul style="list-style-type: none"> at AC-15 at 250 V rated value 	3 A
<ul style="list-style-type: none"> at DC-13 at 24 V rated value 	1 A
Installation/ mounting/ dimensions	
mounting position	with vertical mounting surface +/-90° rotatable, with vertical mounting surface +/- 22.5° tiltable to the front and back
fastening method	screw fixing
height	393 mm
width	210 mm
depth	203 mm
required spacing with side-by-side mounting	
<ul style="list-style-type: none"> forwards 	10 mm
<ul style="list-style-type: none"> backwards 	0 mm
<ul style="list-style-type: none"> upwards 	100 mm
<ul style="list-style-type: none"> downwards 	75 mm
<ul style="list-style-type: none"> at the side 	5 mm

weight without packaging	9.9 kg
Connections/ Terminals	
type of electrical connection	busbar connection spring-loaded terminals
<ul style="list-style-type: none"> for main current circuit for control circuit 	
width of connection bar maximum	45 mm
wire length for thermistor connection	50 m 150 m 250 m
<ul style="list-style-type: none"> with conductor cross-section = 0.5 mm² maximum with conductor cross-section = 1.5 mm² maximum with conductor cross-section = 2.5 mm² maximum 	
type of connectable conductor cross-sections	2x (50 ... 240 mm ²) 2x (70 ... 240 mm ²)
<ul style="list-style-type: none"> for DIN cable lug for main contacts stranded for DIN cable lug for main contacts finely stranded 	
type of connectable conductor cross-sections	2x (0.25 ... 1.5 mm ²) 2x (0.25 ... 1.5 mm ²)
<ul style="list-style-type: none"> for control circuit solid for control circuit finely stranded with core end processing at AWG cables for control circuit solid at AWG cables for control circuit finely stranded with core end processing 	2x (24 ... 16) 2x (24 ... 16)
wire length	800 m 100 m 1 000 m
<ul style="list-style-type: none"> between soft starter and motor maximum at the digital inputs at AC maximum at the digital inputs at DC maximum 	
tightening torque	14 ... 24 N·m 0.8 ... 1.2 N·m
<ul style="list-style-type: none"> for main contacts with screw-type terminals for auxiliary and control contacts with screw-type terminals 	
tightening torque [lbf·in]	124 ... 210 lbf·in 7 ... 10.3 lbf·in
<ul style="list-style-type: none"> for main contacts with screw-type terminals for auxiliary and control contacts with screw-type terminals 	
Ambient conditions	
installation altitude at height above sea level maximum	5 000 m; Derating as of 1000 m, see catalog
ambient temperature	-25 ... +60 °C; Please observe derating at temperatures of 40 °C or above
<ul style="list-style-type: none"> during operation during storage and transport 	-40 ... +80 °C
environmental category	3K6 (no ice formation, only occasional condensation), 3C3 (no salt mist), 3S2 (sand must not get into the devices), 3M6
<ul style="list-style-type: none"> during operation according to IEC 60721 during storage according to IEC 60721 during transport according to IEC 60721 	1K6 (only occasional condensation), 1C2 (no salt mist), 1S2 (sand must not get inside the devices), 1M4
	2K2, 2C1, 2S1, 2M2 (max. fall height 0.3 m)
EMC emitted interference	acc. to IEC 60947-4-2: Class A
Communication/ Protocol	
communication module is supported	Yes
<ul style="list-style-type: none"> PROFINET standard EtherNet/IP Modbus RTU Modbus TCP PROFIBUS 	Yes Yes Yes Yes Yes
UL/CSA ratings	
manufacturer's article number	Siemens type: 3VA53, max. 400 A or 3VA54, max. 600 A; Iq = 10 kA
<ul style="list-style-type: none"> of circuit breaker <ul style="list-style-type: none"> usable for Standard Faults at 460/480 V according to UL usable for High Faults at 460/480 V according to UL usable for Standard Faults at 460/480 V at inside-delta circuit according to UL usable for High Faults at 460/480 V at inside- 	Siemens type: 3VA53, max. 400 A or 3VA54, max. 600 A; Iq max = 65 kA Siemens type: 3VA53, max. 400 A or 3VA54, max. 600 A; Iq = 10 kA Siemens type: 3VA53, max. 400 A or 3VA54, max. 600 A; Iq max = 65

delta circuit according to UL
 — usable for Standard Faults at 575/600 V according to UL
 — usable for Standard Faults at 575/600 V at inside-delta circuit according to UL

• of the fuse

— usable for Standard Faults up to 575/600 V according to UL
 — usable for High Faults up to 575/600 V according to UL
 — usable for Standard Faults at inside-delta circuit up to 575/600 V according to UL
 — usable for High Faults at inside-delta circuit up to 575/600 V according to UL

kA
 Siemens type: 3VA53, max. 400 A or 3VA54, max. 600 A; Iq = 10 kA
 Siemens type: 3VA53, max. 400 A or 3VA54, max. 600 A; Iq = 10 kA
 Type: Class J / L, max. 700 A; Iq = 10 kA
 Type: Class J / L, max. 700 A; Iq = 100 kA
 Type: Class J / L, max. 700 A; Iq = 10 kA
 Type: Class J / L, max. 700 A; Iq = 100 kA

operating power [hp] for 3-phase motors

- at 200/208 V at 50 °C rated value
- at 220/230 V at 50 °C rated value
- at 460/480 V at 50 °C rated value
- at 200/208 V at inside-delta circuit at 50 °C rated value
- at 220/230 V at inside-delta circuit at 50 °C rated value
- at 460/480 V at inside-delta circuit at 50 °C rated value

60 hp
 60 hp
 150 hp
 100 hp
 125 hp
 250 hp

contact rating of auxiliary contacts according to UL

R300-B300

Safety related data

protection class IP on the front according to IEC 60529

IP00; IP20 with cover

touch protection on the front according to IEC 60529

finger-safe, for vertical contact from the front with cover

electromagnetic compatibility

in accordance with IEC 60947-4-2

Certificates/ approvals

General Product Approval

EMC



[Confirmation](#)



Declaration of Conformity

Test Certificates

Marine / Shipping



[Type Test Certificates/Test Report](#)



Marine / Shipping

other



[Confirmation](#)

Further information

Information- and Downloadcenter (Catalogs, Brochures,...)

<https://www.siemens.com/ic10>

Industry Mall (Online ordering system)

<https://mall.industry.siemens.com/mall/en/en/Catalog/product?mfb=3RW5243-2TC04>

Cax online generator

<http://support.automation.siemens.com/WW/CAXorder/default.aspx?lang=en&mfb=3RW5243-2TC04>

Service&Support (Manuals, Certificates, Characteristics, FAQs,...)

<https://support.industry.siemens.com/cs/ww/en/ps/3RW5243-2TC04>

Image database (product images, 2D dimension drawings, 3D models, device circuit diagrams, EPLAN macros, ...)

http://www.automation.siemens.com/bilddb/cax_de.aspx?mlfb=3RW5243-2TC04&lang=en

Characteristic: Tripping characteristics, I^2t , Let-through current

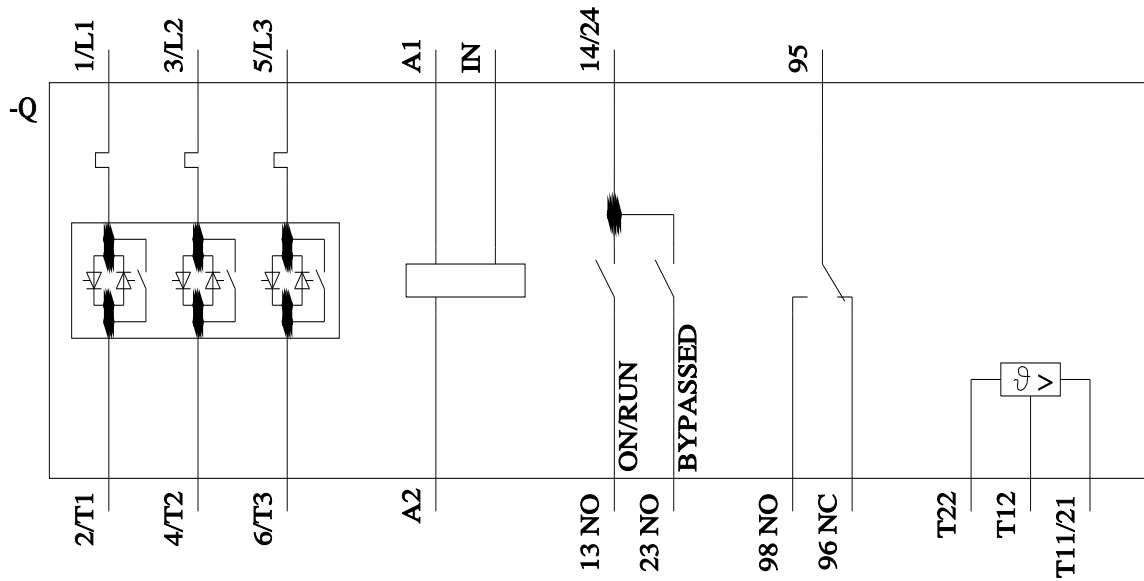
<https://support.industry.siemens.com/cs/ww/en/ps/3RW5243-2TC04/char>

Characteristic: Installation altitude

<http://www.automation.siemens.com/bilddb/index.aspx?view=Search&mlfb=3RW5243-2TC04&objecttype=14&gridview=view1>

Simulation Tool for Soft Starters (STS)

<https://support.industry.siemens.com/cs/ww/en/view/101494917>



last modified:

4/10/2022

