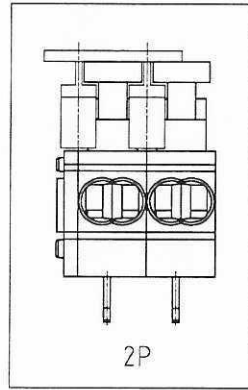
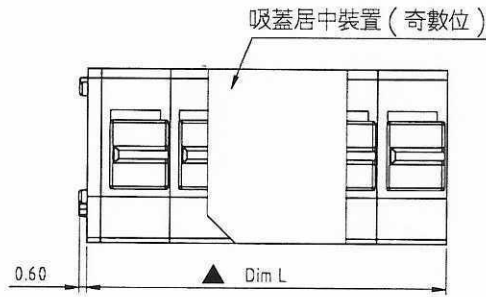


RoHS Compliant

Rev	DATE	DESCRIPTION	APPROVER
A0	2021.04.15	Initial Release	Baron

THIS IS CAD DRAWING, DO NOT REVISE MANUALLY!!!

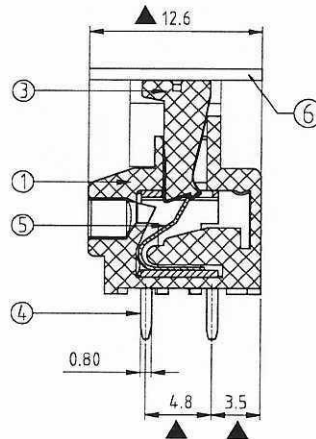
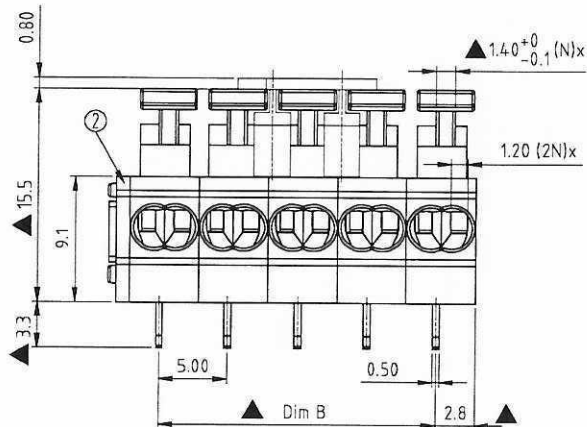


Material

- Item 1 Insulating body PA66 White RAL1102 (UL94V-0)
- Item 2 Insulating cover PA66 White RAL1102 (UL94V-0)
- Item 3 Insulating lever PA66 White RAL1102 (UL94V-0)
- Item 4 Contact pin Brass, Tin plated
- Item 5 Spring clamp Stainless steel
- Item 6 Insulator (Cover): Thermoplastic (UL94V-0)

Electrical cULus

- Voltage rating: 300VAC
- Current rating: 10A
- Wire range:
 - Solid wire: 2xAWG 18-24
 - Stranded wire: 2xAWG 18-24
- Wire strip length: 9-10mm
- Withstanding Voltage: 1.6KV
- Operating temperature: -40°C to +115°C
- Soldering temperature: 260°C±5°C/5 Sec
- Critical dimension: ▲



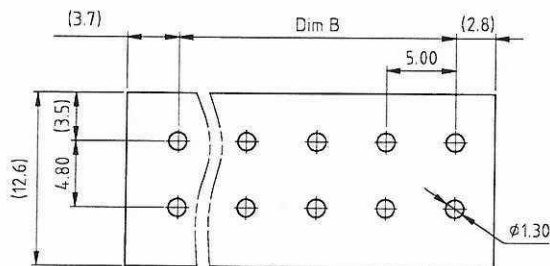
HBxx02900090G

No. OF POLES: 02: 2 POLES, 03: 3 POLES, 05: 5 POLES, 07: 7 POLES, 09: 9 POLES, 11: 11 POLES
 Body Color: White (RAL1102)
 "@ Mark, Tape & Reel Package
 RoHS compliant (lead<4%) in copper Alloy

N=NUMBER OF POLES

Dim L	Nx5.0+1.00
Dim B	(N-1)x5.0

POLES	Dim L	Dim B
2p-6p	±0.2	±0.15
7p-11p	±0.3	±0.25



P.C.B. LAYOUT
Top view

Amphenol ANYTEK				CUSTOMER COPY	
ALL RIGHTS RESERVED. REPRODUCTION OR ISSUE TO THIRD PARTIES IN ANY FORM WHATSOEVER IS NOT PERMITTED WITHOUT WRITTEN AUTHORITY FROM THE PROPRIETOR, PROPERTY OF ANYTEK TECHNOLOGY CO., LTD					
TITLE		HB 5.0mm Series (Double wire) White With Cover 新防脫結構			
PART NO.		HBxx02900090G		DWG NO. 8HB0724	
APPROVED	CHECKED	DESIGNED	DRAWN	CUST NO.	
Baron 2021.04.15		Baron 2021.04.15		UNIT: mm SCALE: 3:1	
				X. ±0.50	
				X.X ±0.30	
				X.XX ±0.10	
				X° ±1°	
				SHEET: 01/01	

15/04-2021