



Main

| | |
|-------------------------------|--|
| Range of Product | Harmony XAP |
| Product or Component Type | Empty control station without hinges |
| Device short name | XAPA |
| Product front plate size | 151 x 241 mm |
| Usable depth | 3.27 in (83 mm) |
| Number of cut-out | Undrilled |
| Colour of base of enclosure | Grey |
| Colour of cover | Grey |
| Material | Glass reinforced polyester |
| Cable entry | Undrilled |
| Device mounting | Flush |
| IP degree of protection | IP65 IEC 60529 IP69 NF C 20-010 IP69K |
| Resistance to chemical agents | High resistant to acids High resistant to all solvents High resistant to bases High resistant to diesel High resistant to mineral salts High resistant to oils and greases High resistant to petrol High resistant to sea water |

Complementary

| | |
|------------------|---|
| Net Weight | 1.90 lb(US) (0.86 kg) |
| Flame retardance | M3 conforming to CSTB VO conforming to UL 94 |

Environment

| | |
|---------------------------------------|---|
| Protective treatment | TH TC |
| Ambient Air Temperature for Storage | -40...158 °F (-40...70 °C) |
| Ambient Air Temperature for Operation | -40...158 °F (-40...70 °C) |
| Overvoltage category | Class II IEC 60536 Class II NF C 20-030 |
| Fire resistance | 1562 °F (850 °C) NF C 20-455 1760 °F (960 °C) IEC 92 |

Ordering and shipping details

| | |
|-----------------------|------------------------|
| Category | 22475-WALL STATIONS |
| Discount Schedule | CS2 |
| GTIN | 3389110313178 |
| Nbr. of units in pkg. | 1 |
| Package weight(Lbs) | 2.28 lb(US) (1.032 kg) |
| Returnability | No |
| Country of origin | FR |

Packing Units

| | |
|------------------------------|--------------------------|
| Unit Type of Package 1 | PCE |
| Package 1 Height | 5.12 in (13 cm) |
| Package 1 width | 6.54 in (16.6 cm) |
| Package 1 Length | 9.65 in (24.5 cm) |
| Unit Type of Package 2 | P06 |
| Number of Units in Package 2 | 32 |
| Package 2 Weight | 100.05 lb(US) (45.38 kg) |
| Package 2 Height | 30.31 in (77 cm) |
| Package 2 width | 31.50 in (80 cm) |
| Package 2 Length | 23.62 in (60 cm) |
| Unit Type of Package 3 | S03 |
| Number of Units in Package 3 | 4 |
| Package 3 Weight | 10.18 lb(US) (4.616 kg) |
| Package 3 Height | 11.81 in (30 cm) |
| Package 3 width | 11.81 in (30 cm) |
| Package 3 Length | 15.75 in (40 cm) |

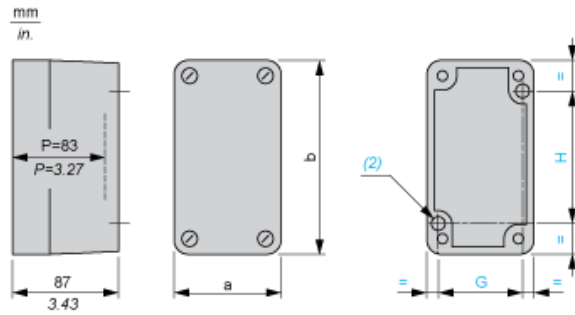
Offer Sustainability

| | |
|----------------------------|---|
| Sustainable offer status | Green Premium product |
| California proposition 65 | WARNING: This product can expose you to chemicals including: Di-isodecyl phthalate (DIDP), which is known to the State of California to cause birth defects or other reproductive harm. For more information go to www.P65Warnings.ca.gov |
| REACH Regulation | REACH Declaration |
| REACH free of SVHC | Yes |
| EU RoHS Directive | Pro-active compliance (Product out of EU RoHS legal scope) EU RoHS Declaration |
| Toxic heavy metal free | Yes |
| Mercury free | Yes |
| RoHS exemption information | Yes |
| China RoHS Regulation | China RoHS Declaration |
| Environmental Disclosure | Product Environmental Profile |
| Circularity Profile | End Of Life Information |

Contractual warranty

| | |
|----------|-----------|
| Warranty | 18 months |
|----------|-----------|

Dimensions and Fixing



- (2) 2 x Ø 5.6 mm/4.94 in. holes, depth 12 mm/0.47 in.
P Usable depth

| a | | b | | G | | H | |
|-----|------|-----|------|-----|------|-----|------|
| mm | in. | mm | in. | mm | in. | mm | in. |
| 151 | 5.94 | 241 | 9.49 | 135 | 5.31 | 200 | 7.87 |