



# Silicone pad (Pair)

SKU: 89020 Weight: 12.00 Gram

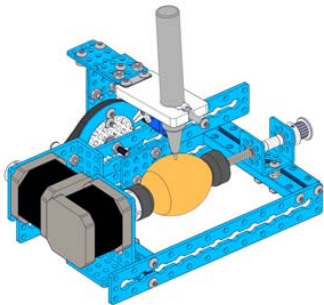
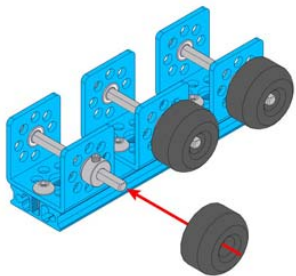
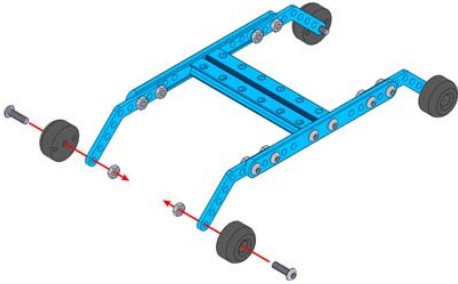
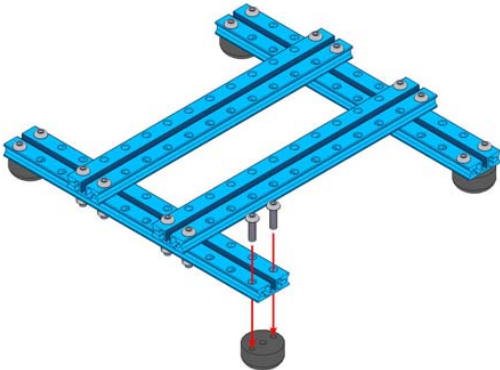
## What Is Silicone pad (pair)?

This is a shockproof pad mainly used on wheel, simple bumper, the feet of crawling robot and friction wheel (in mEggbot it can be used to stabilize eggs and the components to drive eggs).

## Features

Made of black environmental silica gel; hardness: 70HA; diameter: 23.5mm; height: 12.0mm; 1 through-hole and 2 blind holes (not through-hole) with 16mm distance in the middle, compatible with Makeblock parts. Use screws and nuts to stabilize it.

# Demo:



## Specifications

SKU	89020
Product Name	Silicone Pad (Pairs)
Diameter	23.5mm
Height	12.0mm
Gross Weight	12g
Package Content (Quantity x Part Name)	2 x Silicone pad

## Size Chart (mm):

Diameter: 23.5mm, height: 12.0mm. 1 thorough-hole and 2 blind holes (not thorough-hole) with 16mm distance in the middle.

