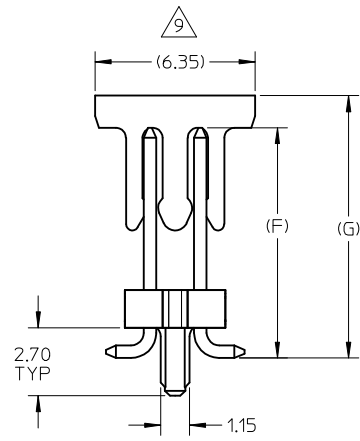
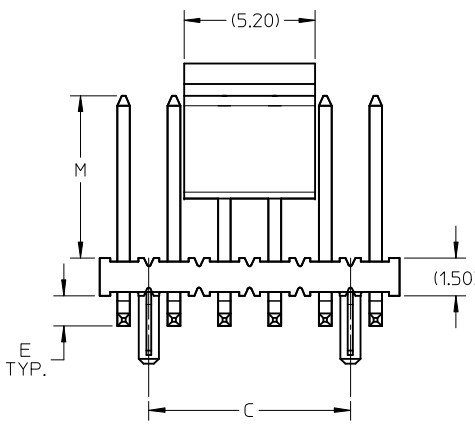
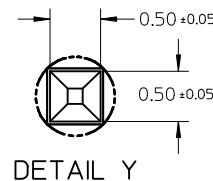
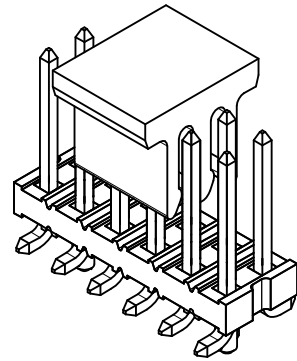


HEADER WITHOUT PEGS & CAP VERSION




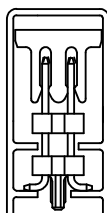
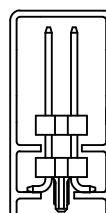
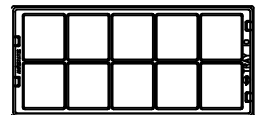
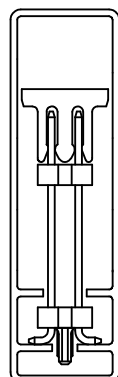
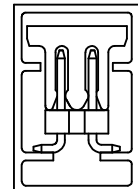
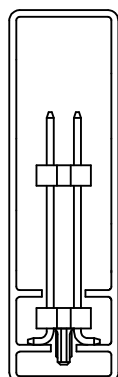
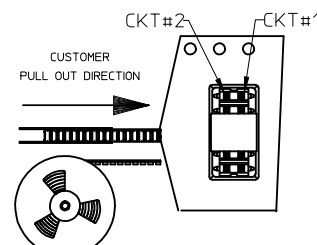
HEADER WITH CRASH PEGS & CAP VERSION



- NOTES
- MATERIAL:
    - HSG: NYLON, GLASS-FILLED, UL94V-0 COLOR: BLACK
    - CAP: NYLON, GLASS-FILLED, UL94V-0, COLOR: BLACK
    - PIN: 0.50MM SQ, COPPER ALLOY
  - PLATING TYPE:
    - GOLD FLASH OVER  
1.25µm MIN. NICKEL OVERALL.
    - GOLD FLASH ON CONTACT AND  
2.50µm MIN. TIN ON SOLDER TAIL OVER  
1.25µm MIN. NICKEL OVERALL.
    - 0.38µm MIN. GOLD PLATE ON CONTACT AND  
2.00µm MIN. TIN ON SOLDER TAIL OVER  
1.25µm MIN. NICKEL OVERALL.
    - 0.75µm MIN. GOLD PLATE ON CONTACT AND  
2.00µm MIN. TIN ON SOLDER TAIL OVER  
1.25µm MIN. NICKEL OVERALL.
    - 2.50µm MIN. TIN OVERALL  
1.25µm MIN. NICKEL OVERALL
    - 5.00µm MIN. TIN OVERALL  
1.25µm MIN. NICKEL OVERALL
  - PRODUCT SPECIFICATION: PS-87761-100
  - PACKAGING TYPE: SEE TABLE
  - PACKAGING SPEC: PLS REFER TO SHEET 2 AND SEE TABLE
  - WAFER TO BE FLAT WITHIN 0.003 mm/mm
  - BEND DEPRESSION IS ACCEPTED SO LONG AS IT DOES NOT AFFECT THE OVERALL COPLANARITY OF TAIL
  - COPLANARITY IS TO BE MEASURED BY RESTING THE SOLDER TAIL ON A GAUGE SURFACE
  - CAP TO BE LOCATED AS CENTRAL OF PARTS AS POSSIBLE. TOP SURFACE OF CAP TO BE FLAT FOR THE PURPOSE OF PICK & PLACE BY VACUUM SUCTION NOZZLE
  - IRREGULAR CIRCUIT CUTOFF WITHIN BREAKAWAY SECTION IS PERMISSIBLE. CUTTING OR CHIPPING OF THE MAIN BODY IS NOT ACCEPTABLE
  - RECOMMENDED PCB THICKNESS IS 1.60mm±0.10
  - THE ABOVE CKT 12 IS FOR ILLUSTRATION PURPOSE ONLY
  - TUBE LENGTH AS PER STANDARD 560mm

|  |                               |   |                      |                            |  |                              |                        |  |
|--|-------------------------------|---|----------------------|----------------------------|--|------------------------------|------------------------|--|
| ADD 20CKT 87759-2116<br>EC NO: S2013-0145<br>DRWN:SKANG 2012/09/13<br>CHKD:ATSEE 2012/10/19<br>APPR:MLONG 2012/10/19 | QUALITY SYMBOLS<br>▽=0<br>◻=0 | GENERAL TOLERANCES (UNLESS SPECIFIED)   |                      | DIMENSION STYLE<br>MM ONLY | SCALE<br>NTS   | DESIGN UNITS<br>METRIC       | THIRD ANGLE PROJECTION |  |
|  |                               | mm      INCH  | DRAWN BY<br>SKLIM01  | DATE<br>2006/08/14         | TITLE<br>CUSTOM HEADER<br>MGRID, DUAL ROW SMT HDR.<br>WITH OR W/O LOC. PEGS,LF   |                              |                        |  |
|  |                               | 4 PLACES ± --- ± ---<br>3 PLACES ± --- ± ---<br>2 PLACES ± 0.2 ± ---<br>1 PLACE ± --- ± --- | CHECKED BY<br>CWLAM  | DATE<br>2006/08/16         | MOLEX INCORPORATED   |                              |                        |  |
|  |                               | ANGULAR ± 3 °   | APPROVED BY<br>PATEY | DATE<br>2006/08/18         | MATERIAL NO.<br>SEE TABLE  | DOCUMENT NO.<br>SD-87759-297 | SHEET NO.<br>1 OF 3    |  |
| A7   | REV                           | DRAFT WHERE APPLICABLE<br>MUST REMAIN<br>WITHIN DIMENSIONS                                  |                      | SIZE<br>A3                 | THIS DRAWING CONTAINS INFORMATION THAT IS PROPRIETARY TO MOLEX<br>INCORPORATED AND SHOULD NOT BE USED WITHOUT WRITTEN PERMISSION |                              |                        |  |

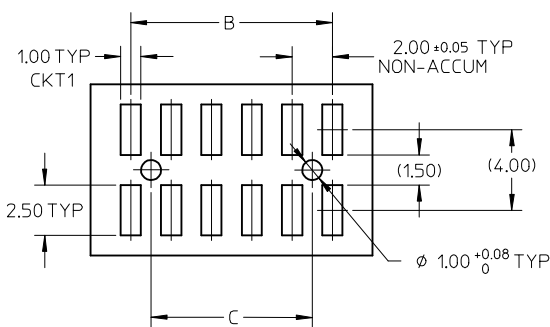
# PACKAGING SPECIFICATION OVERVIEW

| ITEM | PACKAGING TYPE | PACKAGING SPECIFICATION           | PART OVERALL HEIGHT                                     | PART PACKED IN PACKAGING ORIENTATION (FOR REF. USE ONLY)                            | ITEM | PACKAGING TYPE | PACKAGING SPECIFICATION | PART OVERALL HEIGHT                                 | PART PACKED IN PACKAGING ORIENTATION (FOR REF. USE ONLY)                             |   |
|------|----------------|-----------------------------------|---|---|------|----------------|-------------------------|---|--|---|
| 01   | BULK           | PK-89990-490                      | -   |    | 04   | TUBE           | PK-89990-475            | DIMENSION F/G= <13.3MM (WITH CAP & W/O CAP VERSION) |   |  |
| 02   | TRAY           | PK-89990-487                      | DIMENSION F/G= MAX. 40.0MM                              |    |      |                |                         |   | <b>HEADER WITH CAP IN TUBE</b>   | <b>HEADER WITHOUT CAP IN TUBE</b>   |
| 03   | TUBE           | PK-89990-474                      | DIMENSION F/G= 13.4MM ~ 23.4MM (WITH & W/O CAP VERSION) |   | 05   | TUBE           | PK-89990-476            | DIMENSION F/G = 8.05MM (WITH CAP VERSION ONLY)      |   | <b>HEADER WITH CAP IN TUBE</b>  |
|      |                |                                   |   |  |      |                |                         |   | <b>HEADER WITHOUT CAP IN TUBE</b>  |   |
| 06   | TAPE & REEL    | PK-89990-484 (REEL Ø: 330.0 MAX.) | DIMENSION F/G= MAX. 15.0MM                              |   |      |                |                         |   |  |   |
|      |                |                                   |   |   |      |                |                         |   | <b>CUSTOMER PULL OUT DIRECTION</b>   | <b>CKT#2</b>  |

| ADD 20CKT 87759-2116<br>EC NO: S2013-0145<br>DRWN:SKANG 2012/09/13<br>CHKD:ATSEE 2012/10/19<br>APPR:MLONG 2012/10/19 | QUALITY SYMBOLS<br>▽=0<br>◻=0 | DESCRIPTION<br>REV | GENERAL TOLERANCES (UNLESS SPECIFIED)<br><table border="1" style="width: 100%; border-collapse: collapse;"> <thead> <tr> <th></th> <th>mm</th> <th>INCH</th> </tr> </thead> <tbody> <tr> <td>4 PLACES</td> <td>± ---</td> <td>± ---</td> </tr> <tr> <td>3 PLACES</td> <td>± ---</td> <td>± ---</td> </tr> <tr> <td>2 PLACES</td> <td>± 0.2</td> <td>± ---</td> </tr> <tr> <td>1 PLACE</td> <td>± ---</td> <td>± ---</td> </tr> </tbody> </table> ANGULAR ± 3 ° |            | mm  | INCH | 4 PLACES | ± ---               | ± --- | 3 PLACES | ± --- | ± --- | 2 PLACES | ± 0.2 | ± --- | 1 PLACE | ± --- | ± --- | DIMENSION STYLE<br><b>MM ONLY</b><br>DRAWN BY: SKLIM01<br>DATE: 2006/08/14<br>CHECKED BY: CWLAM<br>DATE: 2006/08/16<br>APPROVED BY: PATEY<br>DATE: 2006/08/18 | SCALE<br>NTS | DESIGN UNITS<br>METRIC | THIRD ANGLE PROJECTION | TITLE<br><b>CUSTOM HEADER MGRID, DUAL ROW SMT HDR. WITH OR W/O LOC. PEGS,LF</b><br>MOLEX INCORPORATED<br>SD-87759-297 |
|--|-------------------------------|--------------------|--|------------|---|------|----------|---------------------|-------|----------|-------|-------|----------|-------|-------|---------|-------|-------|---|--------------|------------------------|------------------------|---|
|  | mm                            | INCH               |  |            |   |      |          |                     |       |          |       |       |          |       |       |         |       |       |   |              |                        |                        |   |
| 4 PLACES   | ± ---                         | ± ---              |  |            |   |      |          |                     |       |          |       |       |          |       |       |         |       |       |   |              |                        |                        |   |
| 3 PLACES   | ± ---                         | ± ---              |  |            |   |      |          |                     |       |          |       |       |          |       |       |         |       |       |   |              |                        |                        |   |
| 2 PLACES   | ± 0.2                         | ± ---              |  |            |   |      |          |                     |       |          |       |       |          |       |       |         |       |       |   |              |                        |                        |   |
| 1 PLACE  | ± ---                         | ± ---              |  |            |   |      |          |                     |       |          |       |       |          |       |       |         |       |       |   |              |                        |                        |   |
| A7   |                               |                    | DRAFT WHERE APPLICABLE MUST REMAIN WITHIN DIMENSIONS   | SEE TABLE  |   |      |          | SHEET NO.<br>2 OF 3 |       |          |       |       |          |       |       |         |       |       |   |              |                        |                        |   |
|  |                               |                    |  | SIZE<br>A3 | THIS DRAWING CONTAINS INFORMATION THAT IS PROPRIETARY TO MOLEX INCORPORATED AND SHOULD NOT BE USED WITHOUT WRITTEN PERMISSION |      |          |                     |       |          |       |       |          |       |       |         |       |       |   |              |                        |                        |   |

| CKT SIZE | DIMENSION |       |       |
|----------|-----------|-------|-------|
|          | A         | B     | C     |
| 04       | 4.00      | 2.00  | -     |
| 06       | 6.00      | 4.00  | 2.00  |
| 08       | 8.00      | 6.00  | 4.00  |
| 10       | 10.00     | 8.00  | 6.00  |
| 12       | 12.00     | 10.00 | 8.00  |
| 14       | 14.00     | 12.00 | 10.00 |
| 16       | 16.00     | 14.00 | 12.00 |
| 18       | 18.00     | 16.00 | 14.00 |
| 20       | 20.00     | 18.00 | 16.00 |
| 22       | 22.00     | 20.00 | 18.00 |
| 24       | 24.00     | 22.00 | 20.00 |
| 26       | 26.00     | 24.00 | 22.00 |
| 28       | 28.00     | 26.00 | 24.00 |
| 30       | 30.00     | 28.00 | 26.00 |
| 32       | 32.00     | 30.00 | 28.00 |
| 34       | 34.00     | 32.00 | 30.00 |
| 36       | 36.00     | 34.00 | 32.00 |
| 38       | 38.00     | 36.00 | 34.00 |
| 40       | 40.00     | 38.00 | 36.00 |
| 42       | 42.00     | 40.00 | 38.00 |
| 44       | 44.00     | 42.00 | 40.00 |
| 46       | 46.00     | 44.00 | 42.00 |
| 48       | 48.00     | 46.00 | 44.00 |
| 50       | 50.00     | 48.00 | 46.00 |

| PART NO. W/O CAP IN BULK PACK | PART NO. WITH CAP IN TAPE & REEL | PART NO. WITH CAP IN TUBE | PART NO. W/O CAP IN TUBE | PART NO. W/O CAP IN TRAY | CKT SIZE | PEG | PLATE OPT. | PK SPEC. | VOID PIN#     | DIMENSION |       |       |      |
|-------------------------------|----------------------------------|---------------------------|--------------------------|--------------------------|----------|-----|------------|----------|---------------|-----------|-------|-------|------|
|                               |                                  |                           |                          |                          |          |     |            |          |               | G         | F     | M     | E    |
| -                             | 87759-0601                       | -                         | -                        | -                        | 6        | N   | 6          | 6        | -             | 9.77      | 8.50  | 5.80  | 1.20 |
| -                             | 87759-0801                       | 87759-0802                | -                        | -                        | 8        | Y   | 3          | 6        | -             | 16.97     | 15.70 | 13.00 | 1.20 |
| -                             | 87759-1001                       | -                         | -                        | -                        | 10       | N   | 4          | 6        | 9             | 7.17      | 5.90  | 3.20  | 1.20 |
| -                             | 87759-1011                       | -                         | -                        | -                        | 10       | N   | 4          | 6        | 10            | 7.17      | 5.90  | 3.20  | 1.20 |
| -                             | 87759-1601                       | -                         | -                        | -                        | 16       | N   | 3          | 6        | -             | 13.47     | 12.20 | 9.50  | 1.20 |
| -                             | 87759-2115                       | -                         | 87759-2114               | -                        | 20       | N   | 3          | 4, 6     | -             | 9.27      | 8.00  | 5.30  | 1.20 |
| -                             | -                                | 87759-2116                | -                        | -                        | 20       | N   | 5          | 3        | -             | 13.97     | 12.70 | 10.00 | 1.20 |
| 87759-5000                    | -                                | -                         | -                        | -                        | 50       | N   | 4          | 1        | 9,19,29,39,49 | -         | 5.90  | 3.20  | 1.20 |



RECOMMENDED PCB LAYOUT: SOLDER SIDE

|  |                 |   |   |  |                    |                        |
|--|-----------------|---|---|--|--------------------|------------------------|
| ADD 20CKT 87759-2116<br>EC NO: S2013-0145<br>DRWN:SKANG 2012/09/13<br>CHKD:ATSEE 2012/10/19<br>APPR:MLONG 2012/10/19 | QUALITY SYMBOLS | GENERAL TOLERANCES (UNLESS SPECIFIED)   | DIMENSION STYLE   | SCALE  | DESIGN UNITS       | THIRD ANGLE PROJECTION |
|  | ▽=0<br>∇=0      | mm INCH   | MM ONLY   | NTS  | METRIC             |                        |
|  |                 | 4 PLACES ± --- ± ---<br>3 PLACES ± --- ± ---<br>2 PLACES ± 0.2 ± ---<br>1 PLACE ± --- ± --- | DRAWN BY DATE<br>SKL IM01 2006/08/14<br>CHECKED BY DATE<br>CWLAM 2006/08/16<br>APPROVED BY DATE<br>PATEY 2006/08/18           | TITLE<br>CUSTOM HEADER<br>MGRID, DUAL ROW SMT HDR.<br>WITH OR W/O LOC. PEGS,LF |                    |                        |
| REV A7   | DESCRIPTION     | ANGULAR ± 3 °   | MATERIAL NO.  | DOCUMENT NO.   | MOLEX INCORPORATED |                        |
|  |                 | DRAFT WHERE APPLICABLE MUST REMAIN WITHIN DIMENSIONS  | SIZE A3   | SEE TABLE  |                    | SD-87759-297           |
|  |                 |   | THIS DRAWING CONTAINS INFORMATION THAT IS PROPRIETARY TO MOLEX INCORPORATED AND SHOULD NOT BE USED WITHOUT WRITTEN PERMISSION |  |                    |                        |
|  |                 |   |   |  |                    | SHEET NO. 3 OF 3       |