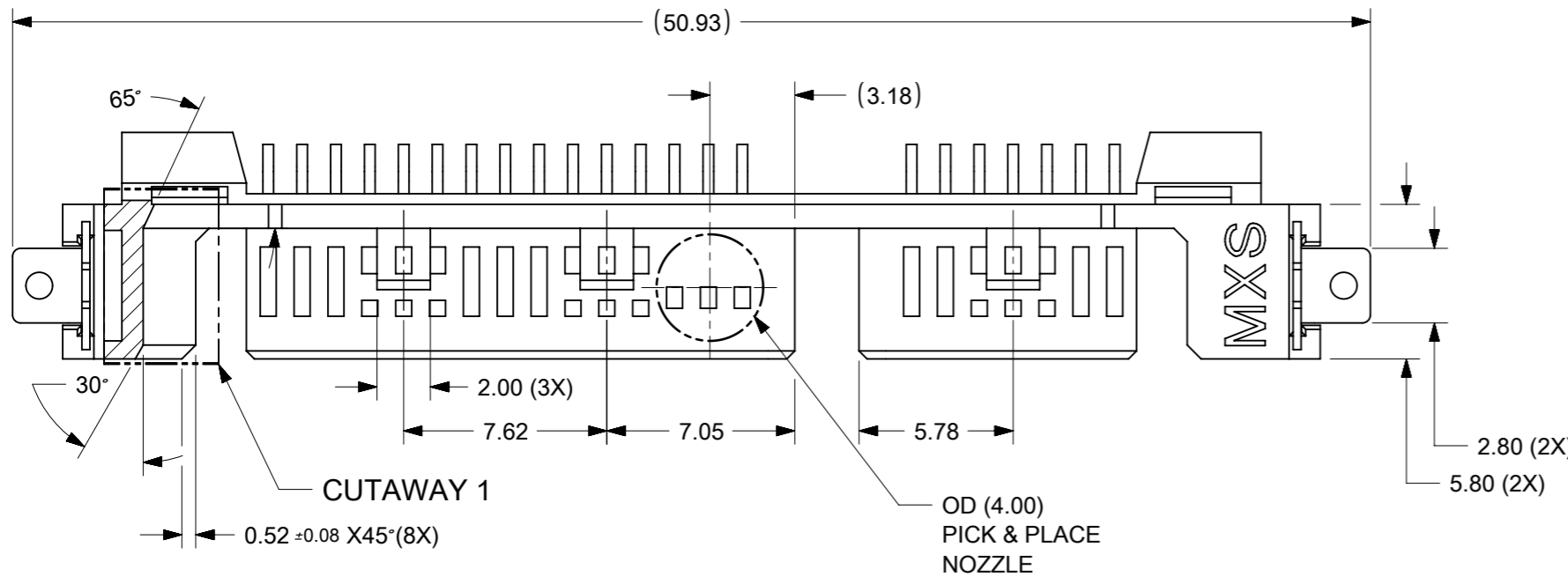
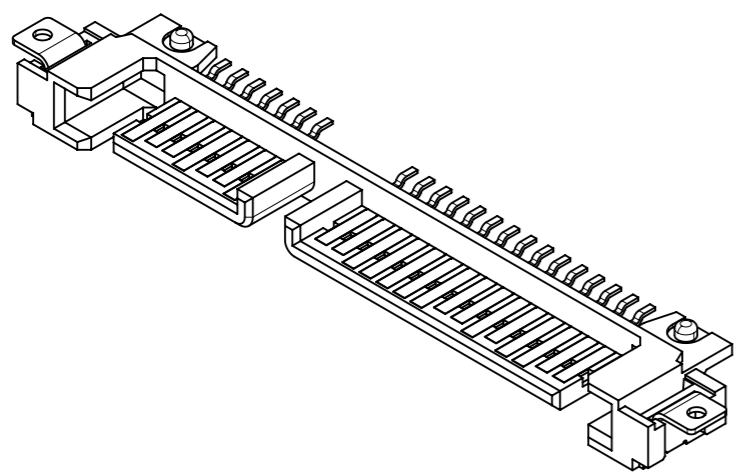
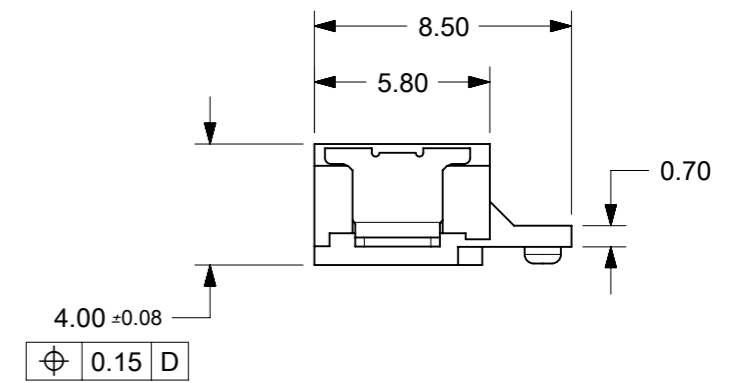
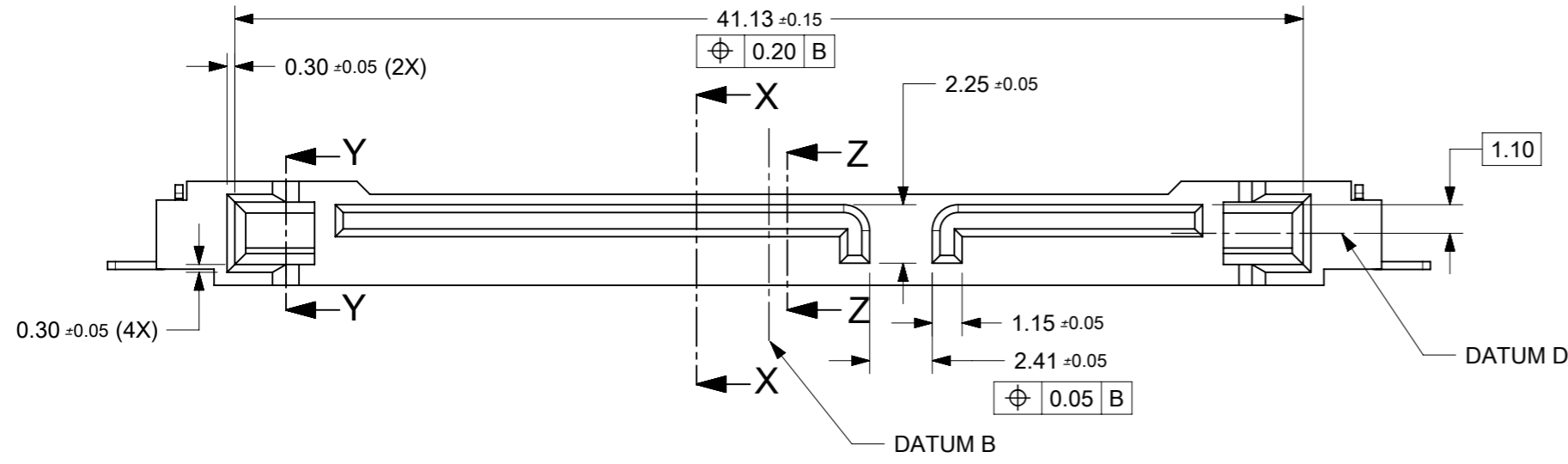


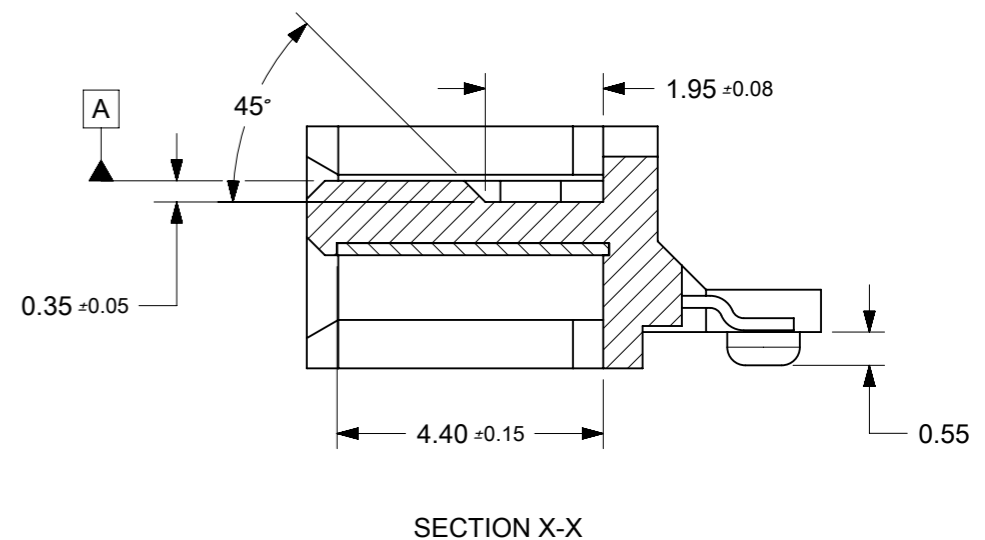
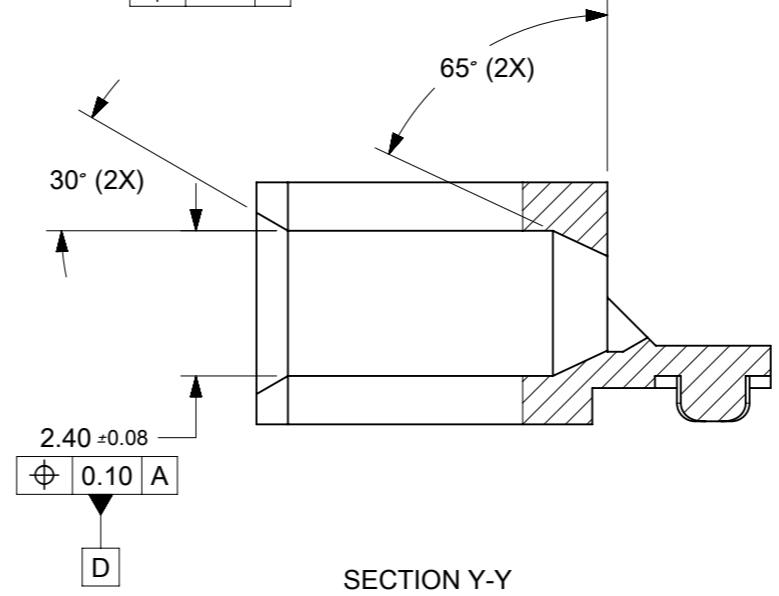
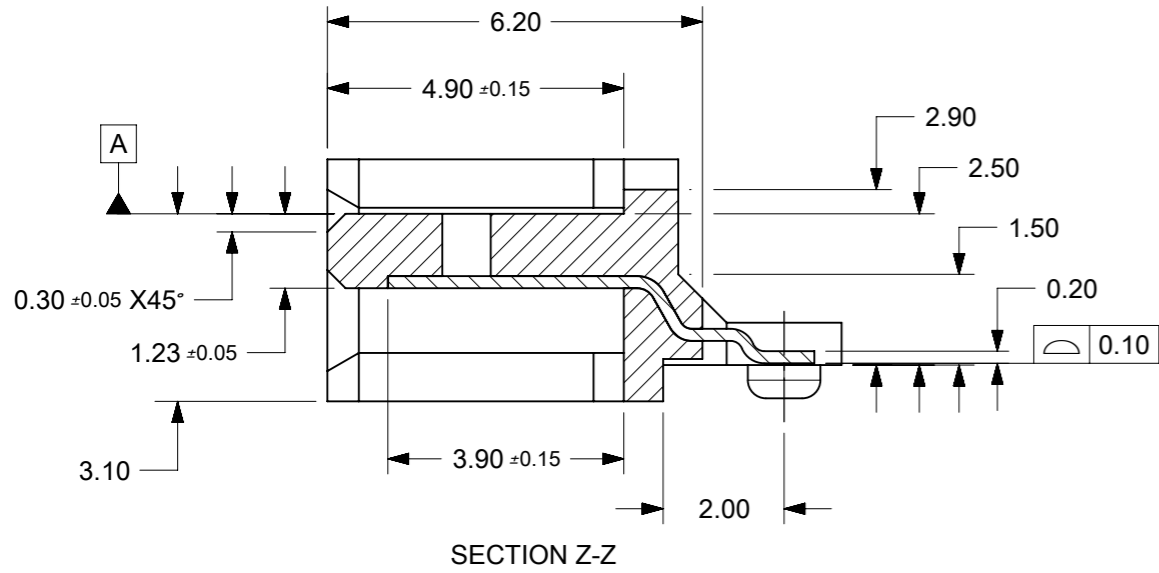
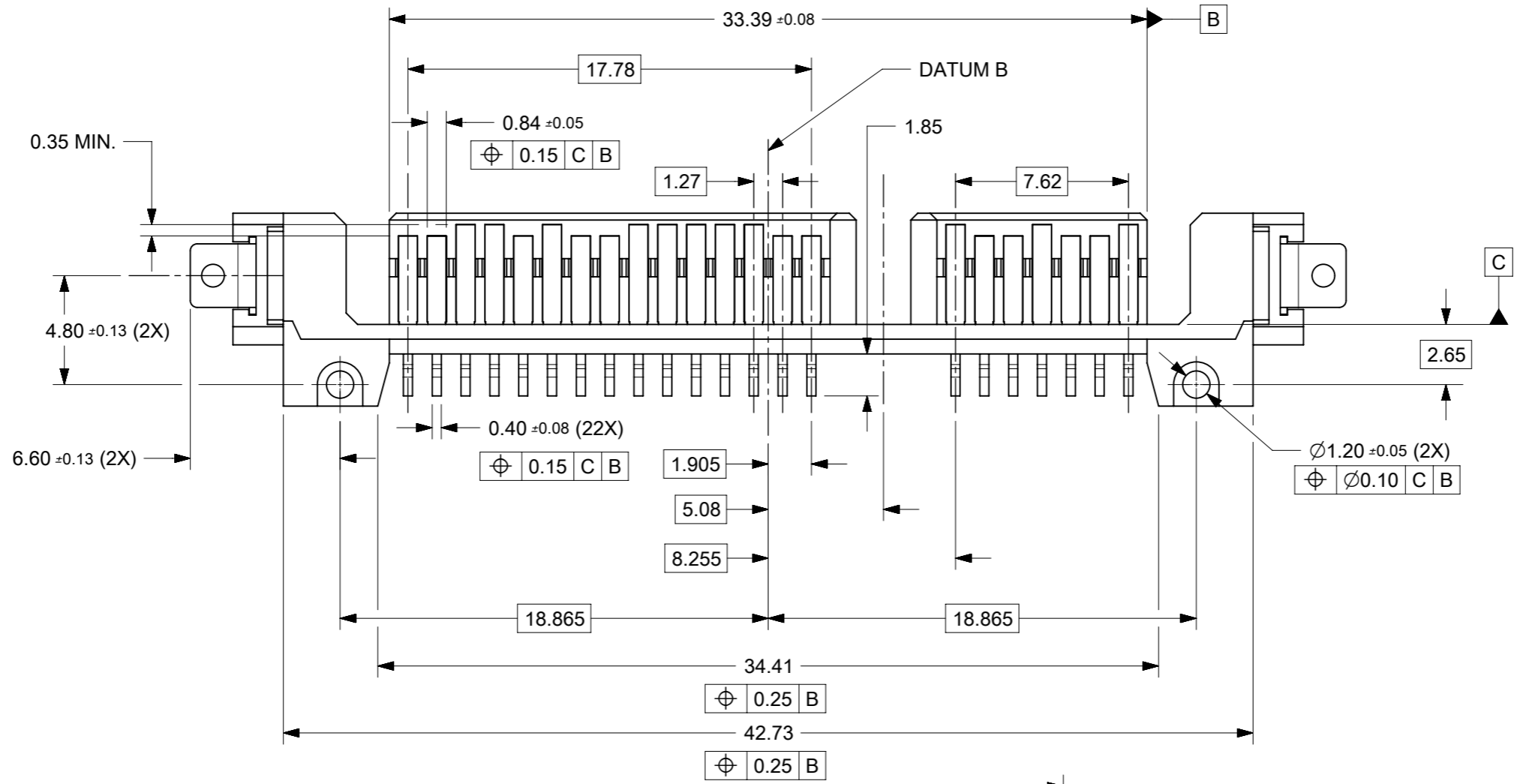
PART NUMBER	PACKAGING
87703-0001	TRAY



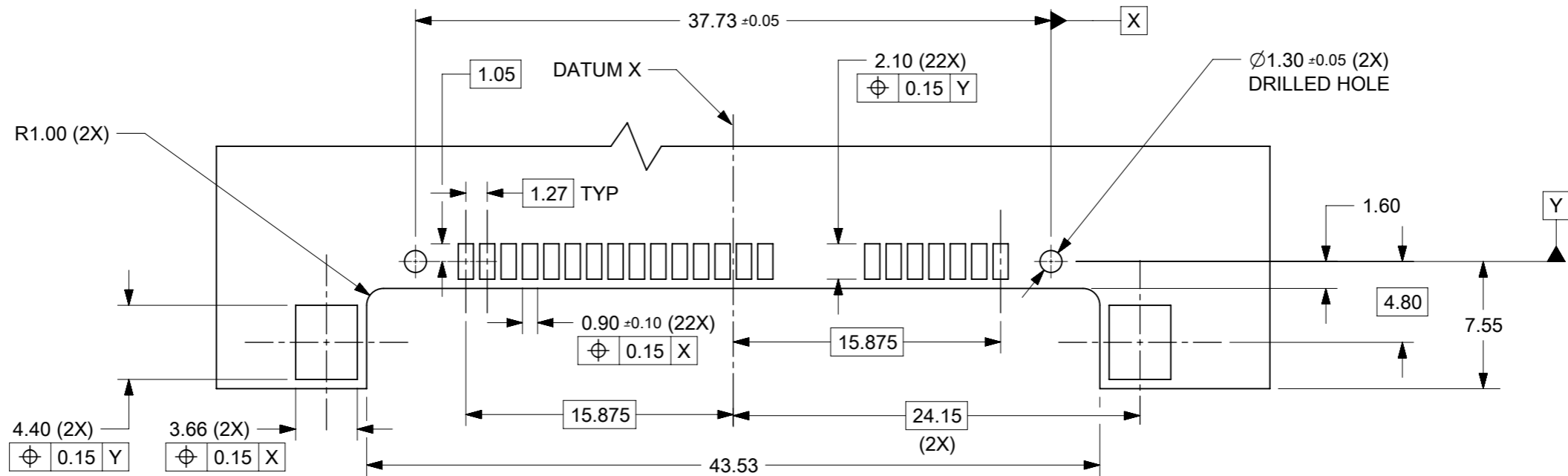
- NOTES:
- MATERIAL:  
HOUSING: LIQUID CRYSTALLINE POLYMER (LCP), GLASS FILLED  
UL 94V-0, COLOR: BLACK  
CONTACTS & SMT NAILS: COPPER ALLOY
  - PLATING FINISH ON CONTACTS AND SOLDER TAILS:  
0.127µm MIN. GOLD FLASH OVER 1.27µm MIN. NICKEL UNDERPLATE
  - PLATING FINISH ON SMT NAILS:  
3.18µm MIN. TIN OVER 1.27µm MIN. NICKEL UNDERPLATE
  - PRODUCT SPECIFICATION: PS-87703-017 APPLIES
  - PRODUCT CONFORMS TO SERIAL ATA SPECIFICATION.
  - PACKAGING: SEE TABLE
  - PRODUCT IS COMPLIANT TO RoHS DIRECTIVE WITH THE FOLLOWING BANNED SUBSTANCES - LEAD, MERCURY, CADMIUM, HEXAVALENT CHROMIUM, POLYBROMINATED BIPHENYLS AND POLYBROMINATED DIPHENYL ETHERS.
  - MATES WITH: SATA RECEPTACLE SERIES: 87678, 87701, 87713, 87779, 87780, 87781  
SFF-8482 RECEPTACLE SERIES: 87824, 87839, 87863, 87970



THIS DRAWING CONTAINS INFORMATION THAT IS PROPRIETARY TO MOLEX ELECTRONIC TECHNOLOGIES, LLC AND SHOULD NOT BE USED WITHOUT WRITTEN PERMISSION									
DIMENSION UNITS		SCALE		CURRENT REV DESC: OBSOLETE PART NO					
mm		4:1							
GENERAL TOLERANCES (UNLESS SPECIFIED)									
		MM	INCH	SERIAL ATA PLUG 2.5 INCH HDD					
4 PLACES	±			PRODUCT CUSTOMER DRAWING					
3 PLACES	±			DOCUMENT NUMBER					
2 PLACES	±	0.2		DOC TYPE					
1 PLACE	±			DOC PART					
0 PLACES	±			REVISION					
ANGULAR TOL		± 3.0°		EC NO: 625872		2018/01/18		SD-87703-002	
DRAFT WHERE APPLICABLE MUST REMAIN WITHIN DIMENSIONS		THIRD ANGLE PROJECTION		DRWN: SKANG		2019/11/06		PSD	
				CHK'D: GB		2019/11/06		001	
				APPR: GGA		2019/11/12		D	
				INITIAL REVISION:		2002/11/18		1 OF 5	
				DRWN: RSHAN		2002/12/18			
				APPR: SKTOH		2002/12/18			
				DRAWING		SERIES		MATERIAL NUMBER	
				A3-SIZE		87703		SEE TABLE	
				CUSTOMER		GENERAL MARKET			



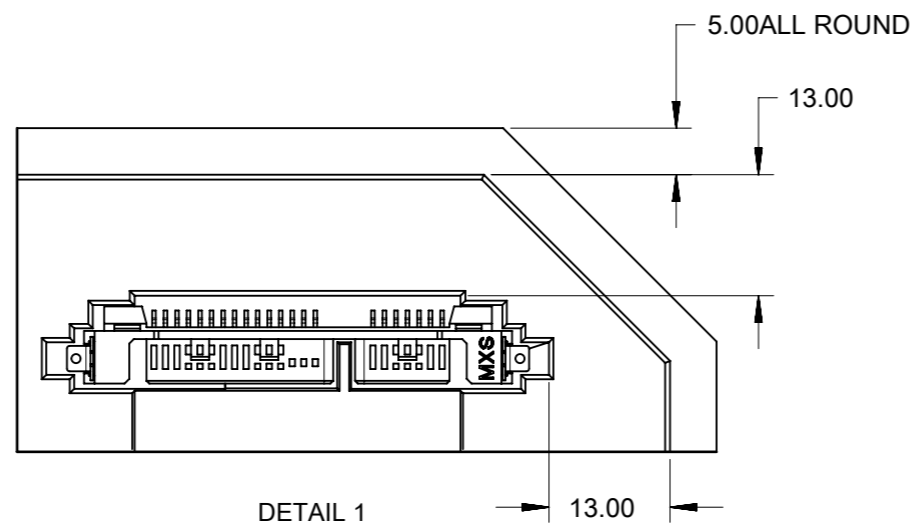
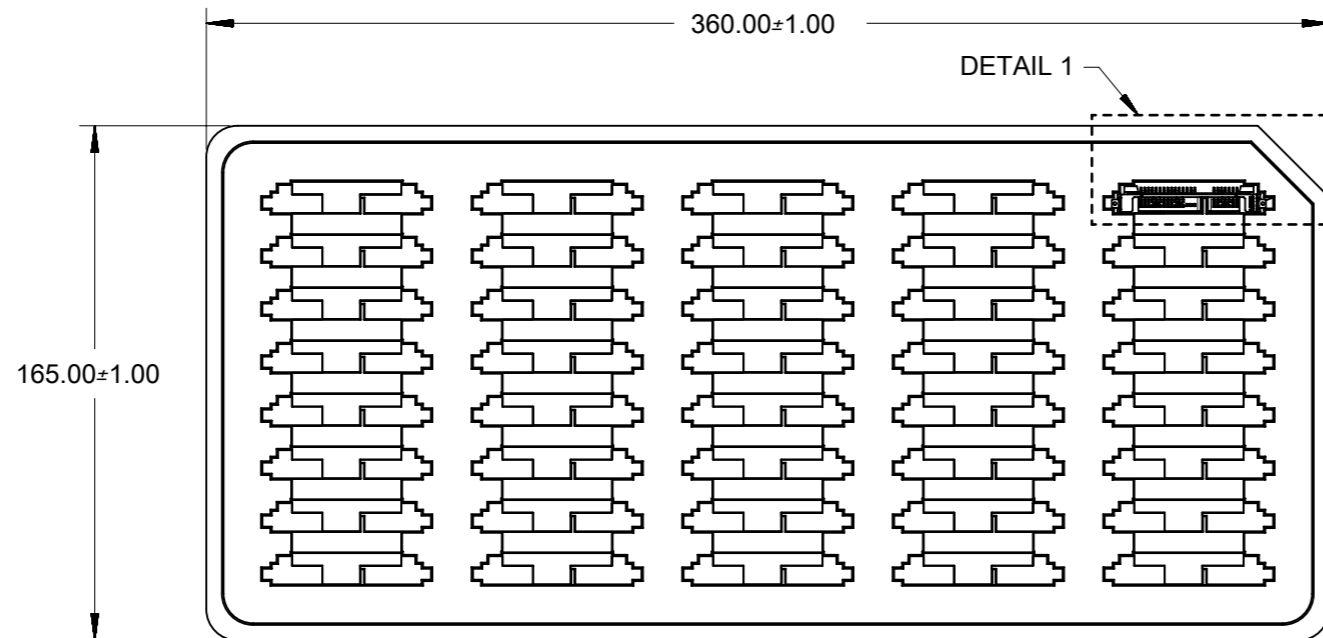
THIS DRAWING CONTAINS INFORMATION THAT IS PROPRIETARY TO MOLEX ELECTRONIC TECHNOLOGIES, LLC AND SHOULD NOT BE USED WITHOUT WRITTEN PERMISSION									
DIMENSION UNITS		SCALE		CURRENT REV DESC: OBSOLETE PART NO					
mm		1:1		<b>molex</b> SERIAL ATA PLUG 2.5 INCH HDD					
GENERAL TOLERANCES (UNLESS SPECIFIED)									
	MM		INCH	EC NO: 625872 DRWN: SKANG 2018/01/18 CHK'D: GB 2019/11/06 APPR: GGA 2019/11/12					
4 PLACES	±			INITIAL REVISION: DRWN: RSHAN 2002/11/18 APPR: SKTOH 2002/12/18					
3 PLACES	±			DOCUMENT NUMBER: SD-87703-002 DOC TYPE: PSD DOC PART: 001 REVISION: D					
2 PLACES	±	0.2		PRODUCT CUSTOMER DRAWING MATERIAL NUMBER: SEE TABLE CUSTOMER: GENERAL MARKET SHEET NUMBER: 2 OF 5					
1 PLACE	±			DRAFT WHERE APPLICABLE MUST REMAIN WITHIN DIMENSIONS THIRD ANGLE PROJECTION DRAWING: A3-SIZE SERIES: 87703					
0 PLACES	±								
ANGULAR TOL ± 3.0°									



RECOMMENDED PCB LAYOUT  
 PCB THICKNESS : 0.50 $\pm$ 0.08

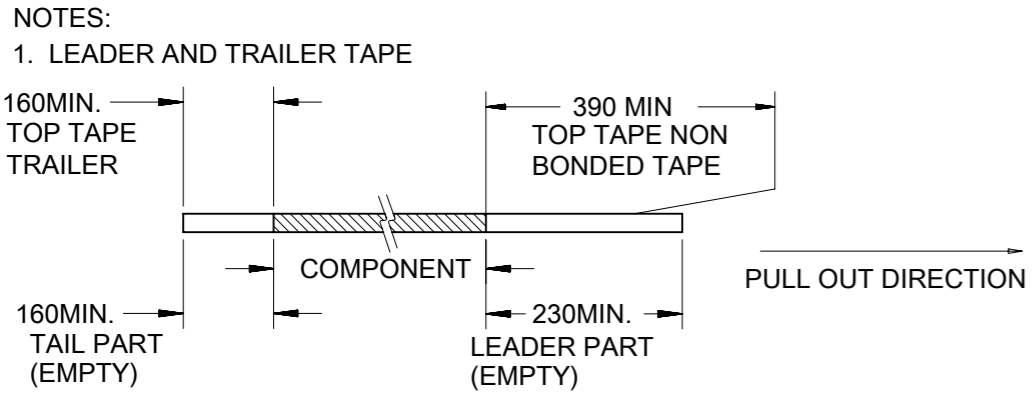
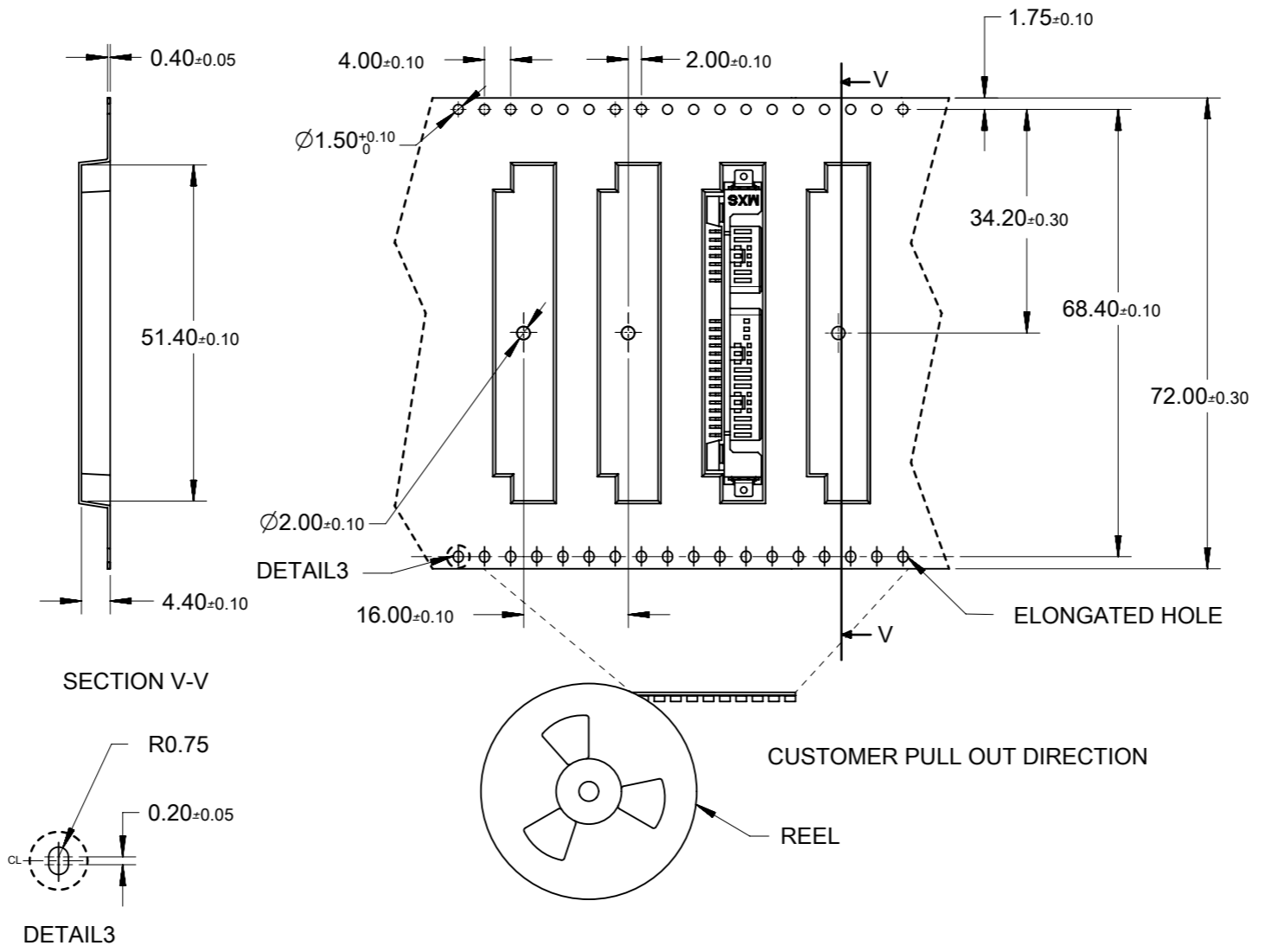
THIS DRAWING CONTAINS INFORMATION THAT IS PROPRIETARY TO MOLEX ELECTRONIC TECHNOLOGIES, LLC AND SHOULD NOT BE USED WITHOUT WRITTEN PERMISSION									
DIMENSION UNITS		SCALE		CURRENT REV DESC: OBSOLETE PART NO				<b>molex</b>	
mm		3:1							
GENERAL TOLERANCES (UNLESS SPECIFIED)				EC NO: 625872				SERIAL ATA PLUG	
				DRWN: SKANG				2.5 INCH HDD	
4 PLACES $\pm$				CHK'D: GB				2018/01/18	
3 PLACES $\pm$				APPR: GGA				2019/11/06	
2 PLACES $\pm$ 0.2				INITIAL REVISION:				PRODUCT CUSTOMER DRAWING	
1 PLACE $\pm$				DRWN: RSHAN				DOCUMENT NUMBER	
0 PLACES $\pm$				APPR: SKTOH				SD-87703-002	
ANGULAR TOL $\pm$ 3.0°				THIRD ANGLE PROJECTION		DRAWING		DOC TYPE	
DRAFT WHERE APPLICABLE MUST REMAIN WITHIN DIMENSIONS				A3-SIZE		SERIES		DOC PART	
				87703		MATERIAL NUMBER		REVISION	
				SEE TABLE		CUSTOMER		GENERAL MARKET	
								SHEET NUMBER	
								3 OF 5	

# TRAY PACKAGING

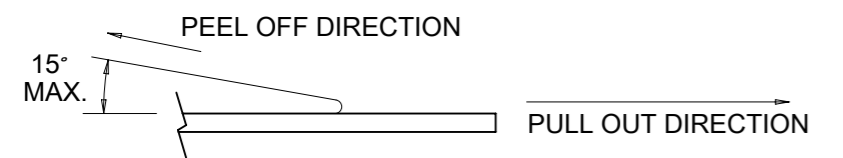


THIS DRAWING CONTAINS INFORMATION THAT IS PROPRIETARY TO MOLEX ELECTRONIC TECHNOLOGIES, LLC AND SHOULD NOT BE USED WITHOUT WRITTEN PERMISSION									
DIMENSION UNITS		SCALE		CURRENT REV DESC: OBSOLETE PART NO				<b>molex</b>	
mm		1:2.5							
GENERAL TOLERANCES (UNLESS SPECIFIED)				EC NO: 625872		2018/01/18		SERIAL ATA PLUG	
				DRWN: SKANG		2019/11/06		2.5 INCH HDD	
4 PLACES ±				CHK'D: GB		2019/11/12		PRODUCT CUSTOMER DRAWING	
3 PLACES ±				APPR: GGA					
2 PLACES ± 0.2				INITIAL REVISION:				DOCUMENT NUMBER	
1 PLACE ±				DRWN: RSHAN		2002/11/18		SD-87703-002	
0 PLACES ±				APPR: SKTOH		2002/12/18		DOC TYPE	
ANGULAR TOL ± 3.0°								PSD	
DRAFT WHERE APPLICABLE MUST REMAIN WITHIN DIMENSIONS				THIRD ANGLE PROJECTION		DRAWING		DOC PART	
				A3-SIZE		SERIES		REVISION	
						87703		001 D	
						MATERIAL NUMBER		CUSTOMER	
						SEE TABLE		GENERAL MARKET	
								SHEET NUMBER	
								4 OF 5	

# TAPE & REEL PACKAGING



2. PEELING OFF FORCE OF THE TOP TAPE: 20 - 60gf.  
(PEELING DIRECTION AS SHOWN IN FOLLOWING FIGURE)



- TAPE AND REEL SPECIFICATION IS AS PER EIA-481.
- TAPE AND REEL QUANTITY : 850 PCS/ REEL.
- THE TAPE IS TREATED FOR ANTI-STATIC.

THIS DRAWING CONTAINS INFORMATION THAT IS PROPRIETARY TO MOLEX ELECTRONIC TECHNOLOGIES, LLC AND SHOULD NOT BE USED WITHOUT WRITTEN PERMISSION											
DIMENSION UNITS		SCALE		CURRENT REV DESC: OBSOLETE PART NO							
mm		1:1		<p>SERIAL ATA PLUG 2.5 INCH HDD</p> <p>PRODUCT CUSTOMER DRAWING</p>							
GENERAL TOLERANCES (UNLESS SPECIFIED)											
		MM	INCH								
4 PLACES	±										
3 PLACES	±										
2 PLACES	±	0.2		EC NO: 625872	2018/01/18	DRWN: SKANG		2019/11/06		CHK'D: GB	
1 PLACE	±			APPR: GGA	2019/11/12	INITIAL REVISION:		DRWN: RSHAN		2002/11/18	
0 PLACES	±			APPR: SKTOH	2002/12/18	DRWN: RSHAN		2002/11/18		APPR: SKTOH	
ANGULAR TOL ± 3.0°				DRAFT WHERE APPLICABLE MUST REMAIN WITHIN DIMENSIONS		THIRD ANGLE PROJECTION		DRAWING		SERIES	
DOCUMENT NUMBER		DOC TYPE		DOC PART		REVISION		MATERIAL NUMBER		CUSTOMER	
SD-87703-002		PSD		001		D		SEE TABLE		GENERAL MARKET	
SHEET NUMBER		5 OF 5									