



Sealing plug for unused control points, 22 mm, Metal, shiny, silver, Z=100-unit packaging

product brand name	SIRIUS ACT
product designation	Sealing plug
product type designation	3SU1
<b>Actuator</b>	
shape of the actuating element	round
outer diameter of the actuating element	29.5 mm
<b>General technical data</b>	
protection class IP	IP66, IP67, IP69(IP69K)
degree of protection NEMA rating	1, 2, 3, 3R, 4, 4X, 12
reference code according to IEC 81346-2	S
Substance Prohibittance (Date)	10/01/2014
<b>Ambient conditions</b>	
ambient temperature	
• during operation	70 ... -25 °C
• during storage and transport	-40 ... +80 °C
environmental category during operation according to IEC 60721	3M6, 3S2, 3B2, 3C3, 3K6 (with relative air humidity of 10 ... 95%)
<b>Installation/ mounting/ dimensions</b>	
shape of the installation opening	round
mounting diameter	22.3 mm
positive tolerance of installation diameter	0.4 mm
mounting height	6.5 mm
installation width	29.5 mm
installation depth	24.2 mm
<b>Accessories</b>	
material of accessory	Metal
color of accessory	Silver
<b>Certificates/ approvals</b>	
<b>Further information</b>	

Information- and Downloadcenter (Catalogs, Brochures,...)

<https://www.siemens.com/ic10>

Industry Mall (Online ordering system)

<https://mall.industry.siemens.com/mall/en/en/Catalog/product?mlfb=3SU1950-0FA80-0AA0-Z X90>

Cax online generator

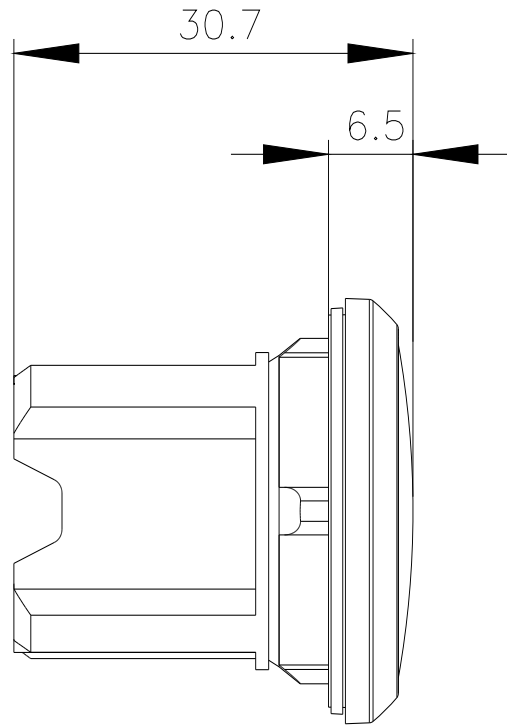
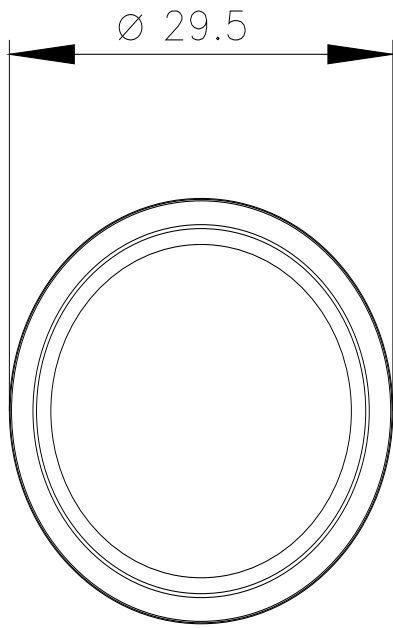
<http://support.automation.siemens.com/WW/CAXorder/default.aspx?lang=en&mlfb=3SU1950-0FA80-0AA0-Z X90>

Service&Support (Manuals, Certificates, Characteristics, FAQs,...)

<https://support.industry.siemens.com/cs/ww/en/ps/3SU1950-0FA80-0AA0-Z X90>

Image database (product images, 2D dimension drawings, 3D models, device circuit diagrams, EPLAN macros, ...)

[http://www.automation.siemens.com/bilddb/cax\\_de.aspx?mlfb=3SU1950-0FA80-0AA0-Z X90&lang=en](http://www.automation.siemens.com/bilddb/cax_de.aspx?mlfb=3SU1950-0FA80-0AA0-Z X90&lang=en)



last modified:

4/4/2022 