



Main

Range of Product	Telemecanique Safety light curtains XUSL
Accessory / separate part category	Protection accessories
Accessory / Separate Part Type	Protective screen
Product Compatibility	XUSL.E...61
Accessory / separate part destination	Safety light curtain type 2 Safety light curtain type 4
Height	25.39 in (645 mm)
Quantity per Set	Set of 4

Complementary

Material	Polycarbonate
Sensing distance reduction coefficient	0.97 Sn
Net Weight	0.56 lb(US) (0.255 kg)

Environment

Resistance to chemical agents	Resistant alkalis Resistant detergents and cleaners Resistant to inorganic diluted acids Resistant aqueous solutions
Ambient Air Temperature for Operation	14...131 °F (-10...55 °C) 14...131 °F (-10...55 °C)
Ambient Air Temperature for Storage	-13...158 °F (-25...70 °C) -13...158 °F (-25...70 °C)

Ordering and shipping details

Category	22455-LIGHT CURTAINS - XUSL
Discount Schedule	DS2
GTIN	3389119619295
Nbr. of units in pkg.	1
Package weight(Lbs)	2.43 lb(US) (1.1 kg)
Returnability	No
Country of origin	IT

Packing Units

Unit Type of Package 1	PCE
Package 1 Height	5.51 in (14 cm)
Package 1 width	7.87 in (20 cm)
Package 1 Length	29.92 in (76 cm)

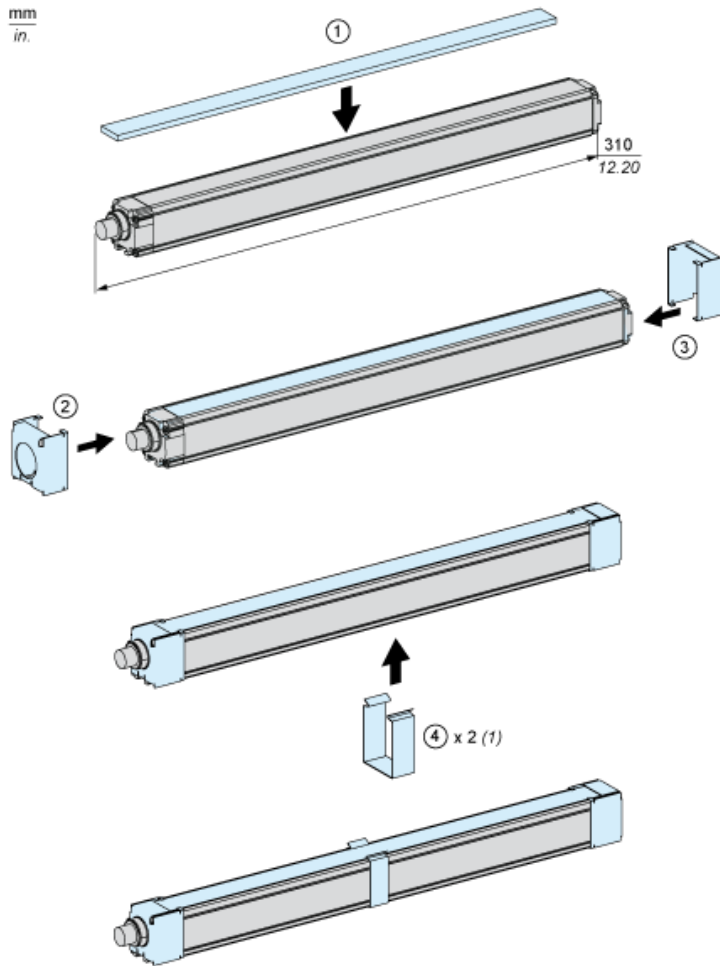
The information provided in this documentation contains general descriptions and/or technical characteristics of the performance of the products contained herein. This documentation is not intended as a substitute for and is not to be used for determining suitability or reliability of these products for specific user applications. It is the duty of any such user or integrator to perform the appropriate and complete risk analysis, evaluation and testing of the products with respect to the relevant specific application or use thereof. Neither Schneider Electric Industries SAS nor any of its affiliates or subsidiaries shall be responsible or liable for misuse of the information contained herein.

Offer Sustainability

Sustainable offer status	Green Premium product
California proposition 65	WARNING: This product can expose you to chemicals including: Diisononyl phthalate (DINP), which is known to the State of California to cause cancer, and Di-isodecyl phthalate (DIDP), which is known to the State of California to cause birth defects or other reproductive harm. For more information go to www.P65Warnings.ca.gov
REACH Regulation	REACH Declaration
REACH free of SVHC	Yes
EU RoHS Directive	Pro-active compliance (Product out of EU RoHS legal scope) EU RoHS Declaration
Toxic heavy metal free	Yes
Mercury free	Yes
RoHS exemption information	Yes
Environmental Disclosure	Product Environmental Profile
Circularity Profile	End Of Life Information

Mounting and Clearance

Various Stages in the Protective Screen Assembly



(1) Depending on the length