



Since 1959

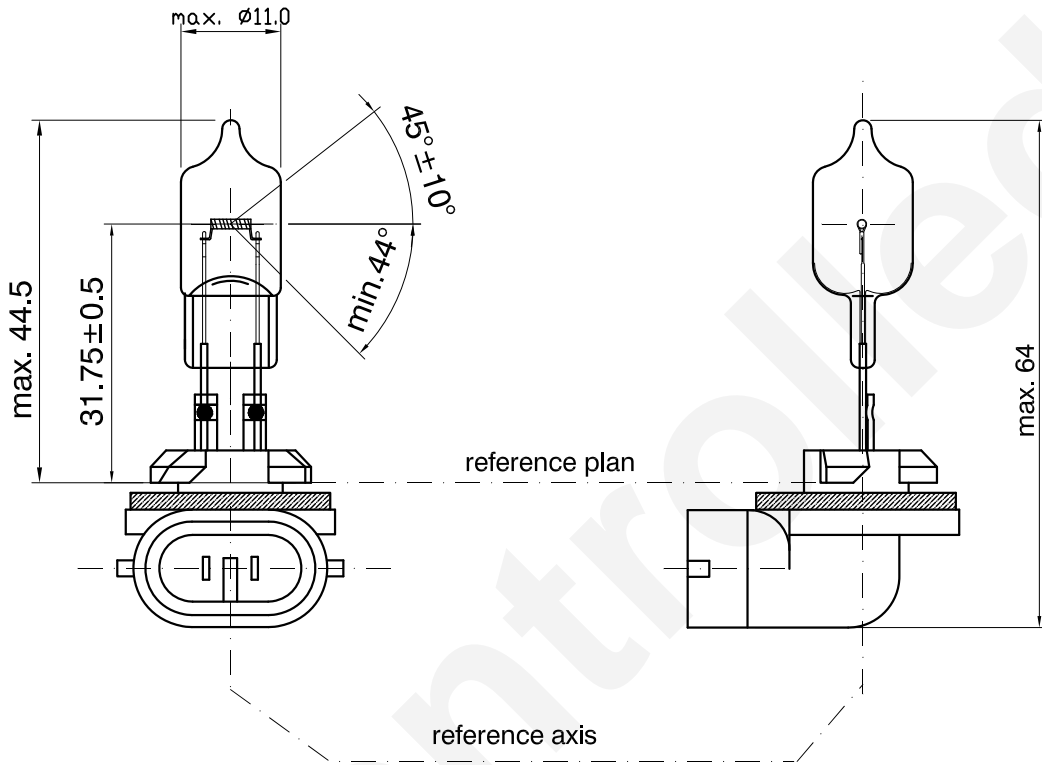
Product Information Sheet

862 12V 37.5W

862

2010. 12. 13 NEW

2009. 12. 31 OLD



* all dimensions in mm

Halogen bulb
862 12V 37.5W
Cap: ¹⁾ PGJ13
Type: 862
ECE R37 none
FMVSS108 none
Bulb mat.: UV-cut Hardglass
Made in korea / INCHEON

1) according to IEC 61-1 sheet 7004-107-1

Technical data	
Test voltage	12.8V
Power	43W max
Luminous flux	750lm $\pm 15\%$
Lumen maintenance	85 % min
Rated life:	at 14.0V - Average 1200 hr

Maximum operating temperature:	bulb 650°C max pinch 400°C max
Operating position	horizontal