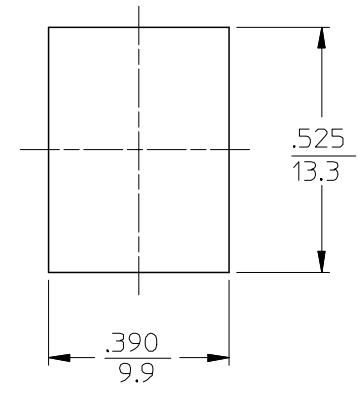
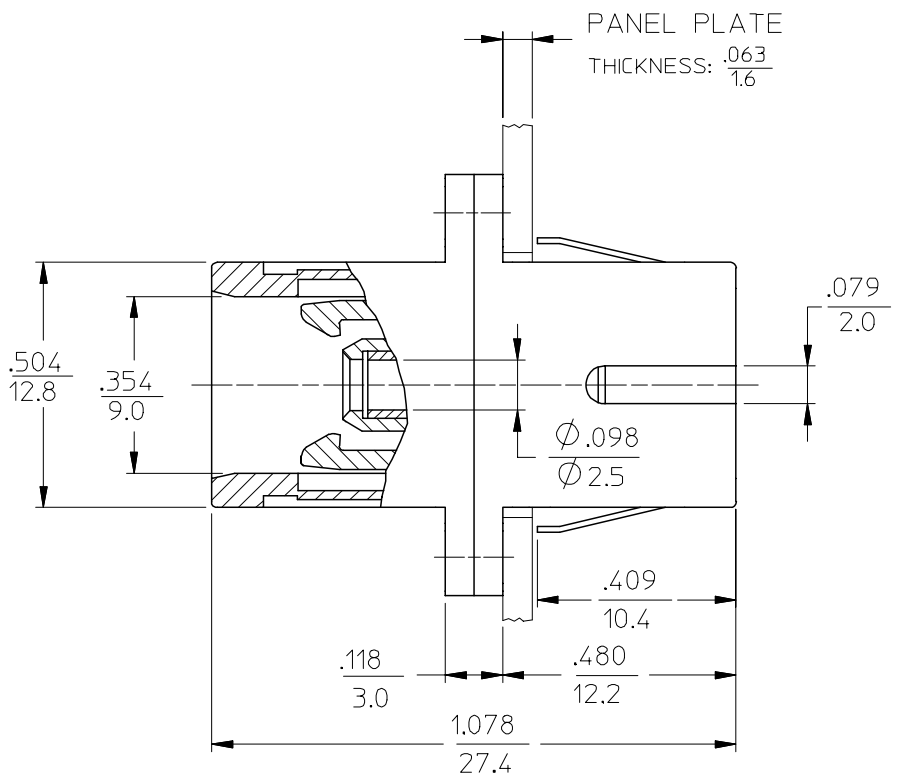
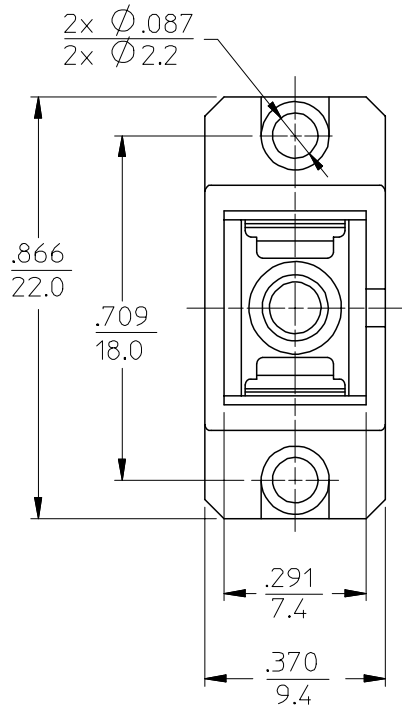


86160

ADAPTER P/N	SPRING LEVER COLOR	MATERIAL OF SLEEVE	SHELL COLOR
86160-0000	BLUE	PHOSPHOR BRONZE	BLUE
86161-0000		Zr	
*86989-0069			
86160-1000	BLACK	PHOSPHOR BRONZE	RED
86161-1000		Zr	
86161-2000		Zr	BLACK



RECOMMENDED MOUNTING HOLE

- NOTES:
- DUST CAPS ARE NOT SHOWN BUT INCLUDED.
 - P/N 86989-0069 IS BULK PACKED IN QUANTITIES OF 100 pcs.

ENTER DESCRIPTION EC NO: MF2007-0638 DRWNG/REVZNR CHKD: 2007/05/10 APPR: IGUMIN 2007/05/15 REV K1	QUALITY SYMBOLS $\nabla=0$ $\nabla=0$	GENERAL TOLERANCES (UNLESS SPECIFIED) <table border="1"> <thead> <tr> <th></th> <th>mm</th> <th>INCH</th> </tr> </thead> <tbody> <tr> <td>4 PLACES</td> <td>\pm----</td> <td>\pm----</td> </tr> <tr> <td>3 PLACES</td> <td>\pm----</td> <td>\pm----</td> </tr> <tr> <td>2 PLACES</td> <td>\pm----</td> <td>\pm----</td> </tr> <tr> <td>1 PLACE</td> <td>\pm----</td> <td>\pm----</td> </tr> </tbody> </table>		mm	INCH	4 PLACES	\pm ----	\pm ----	3 PLACES	\pm ----	\pm ----	2 PLACES	\pm ----	\pm ----	1 PLACE	\pm ----	\pm ----	DIMENSION STYLE IN/MM DRAWN BY DATE CHECKED BY DATE APPROVED BY DATE	SCALE 4:1 DESIGN UNITS INCH THIRD ANGLE PROJECTION	TITLE SC TYPE ADAPTER
		mm	INCH																	
	4 PLACES	\pm ----	\pm ----																	
	3 PLACES	\pm ----	\pm ----																	
2 PLACES	\pm ----	\pm ----																		
1 PLACE	\pm ----	\pm ----																		
DRAFT WHERE APPLICABLE MUST REMAIN WITHIN DIMENSIONS	MATERIAL NO. SEE TABLE	DOCUMENT NO. 8616X-X000CD	SHEET NO. 1 OF 1	MOLEX INCORPORATED																
THIS DRAWING CONTAINS INFORMATION THAT IS PROPRIETARY TO MOLEX INCORPORATED AND SHOULD NOT BE USED WITHOUT WRITTEN PERMISSION																				