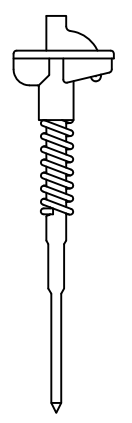
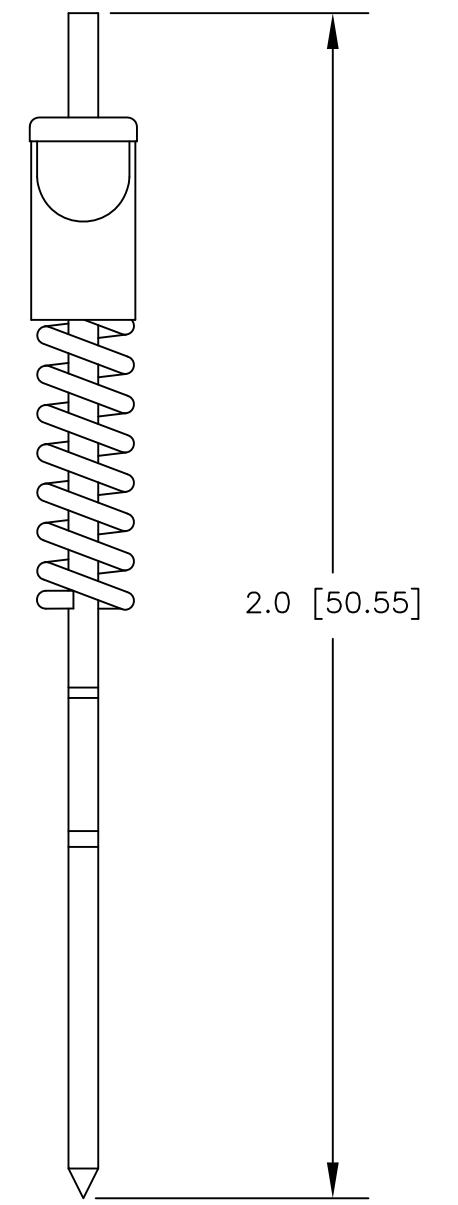
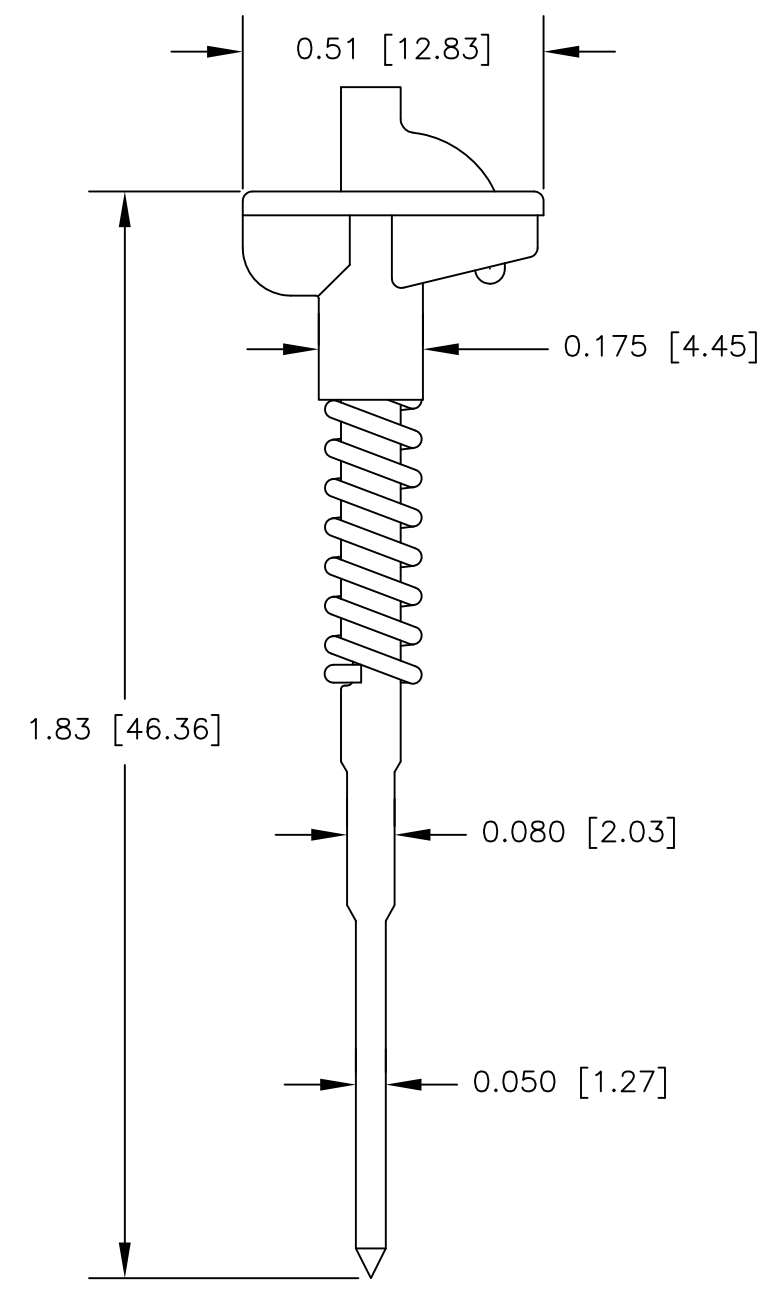
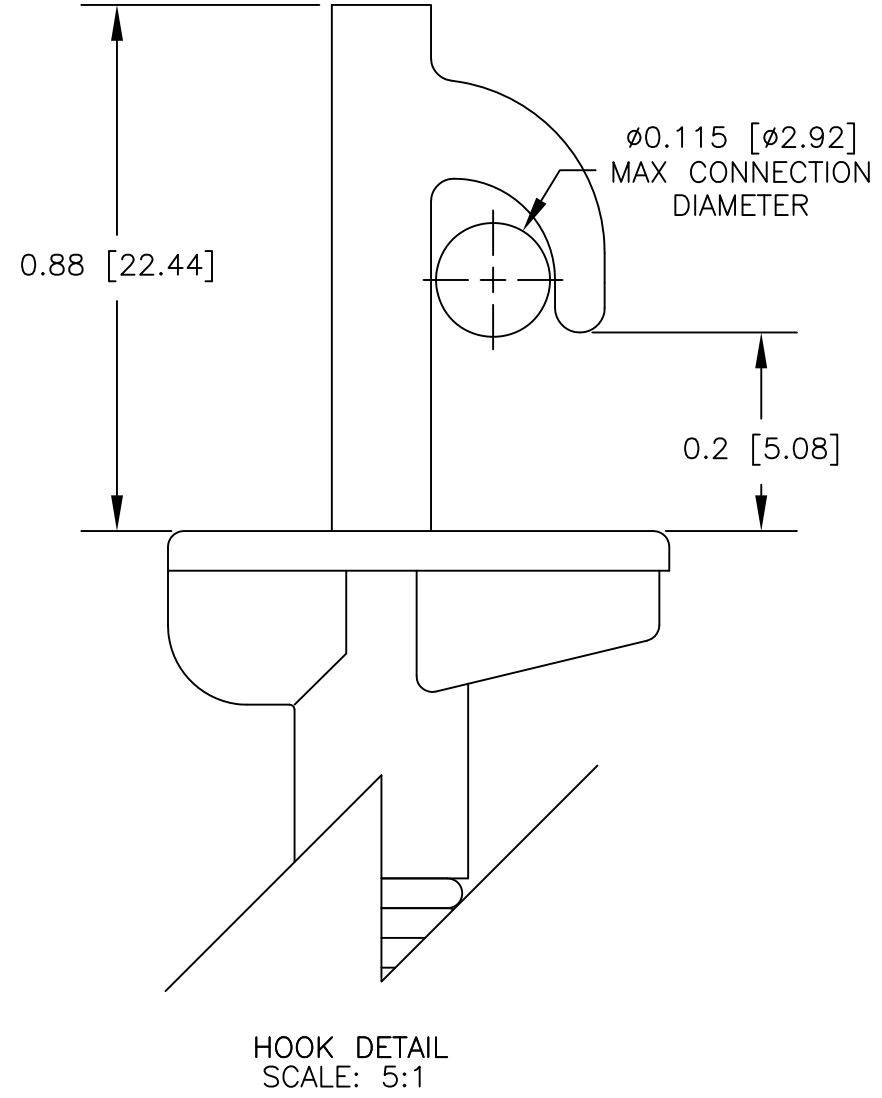


NOTES: UNLESS OTHERWISE SPECIFIED

- CONSTRUCTION:
SLIDE: MOLDED NYLON. AVAILABLE IN TEN COLORS.
CONTACT: COPPER, NICKEL & TIN PLATED STEEL
SPRING: STAINLESS STEEL
- PERFORMANCE:
MAXIMUM CURRENT: 3 AMPS
MAXIMUM VOLTAGE: 0 V
MAXIMUM TEMPERATURE: 200°F (93°C)

REVISIONS			
LTR	DESCRIPTION	DATE	APPROVED



ACTUAL SIZE

UNLESS OTHERWISE SPECIFIED DIMENSIONS ARE IN INCHES TOLERANCES ARE: FRACTIONS DECIMALS ANGLES ± .XX ± ± .XXX ±		CONTRACT NO.		E-Z-HOOK DIVISION OF TEKTEST INC. ARCADIA, CA 91006 U.S.A.			
MATERIAL SEE NOTE.		APPROVALS	DATE				
FINISH SEE NOTE.		DRAWN R.L.	3/11	DESCRIPTION HEAVY DUTY TEST TERMINAL			
NEXT ASSY		USED ON	APPROVED BY				
APPLICATION		DO NOT SCALE DRAWING		SIZE	CODE IDENT NO.	DRAWING NO.	REV.
				B	08505	86-1	
				SCALE	3:1		SHEET 1 OF 1