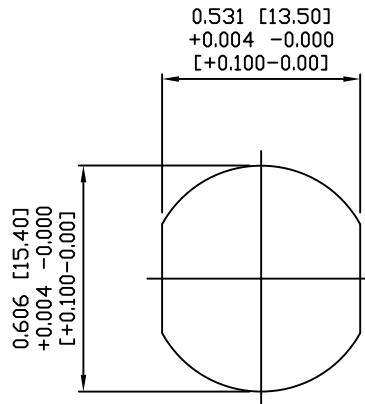
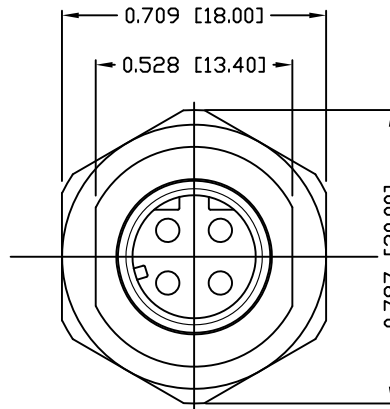
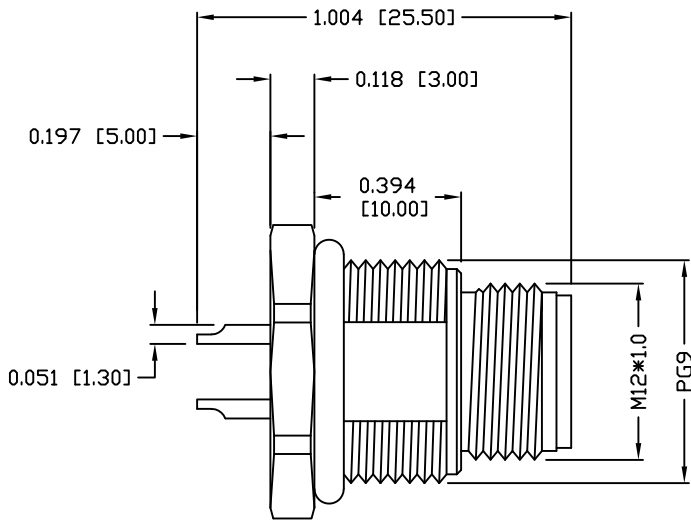


NUT



PANEL CUT-OUT



**NOTE:**

<b>MATERIAL</b>	
HOUSING:	PBT UL94V-0, BLACK
CONTACT:	BRASS
SHELL:	BRASS
NUT:	BRASS
O-RING:	EPDM, BLACK
<b>FINISH</b>	
CONTACT:	GOLD PLATED OVER 50u" NICKEL
SHELL:	NICKEL PLATED 60u" TO 100u"
NUT:	NICKEL PLATED 60u" TO 100u"
<b>ELECTRICAL:</b>	
RATED CURRENT:	4A
RATED VOLTAGE:	250V
INSULATION RESISTANCE:	100 MΩhms MIN.
CONTACT RESISTANCE:	10 mΩhms MAX.
WATER PROOF:	IP67
<b>ENVIRONMENT:</b>	
OPERATION TEMPERATURE:	-40°C TO +85°C
MAX WIRE AWG:	22

**859RD04-103R00Y**

3 = BRASS/NICKEL SHELL & NUT  
S = STAINLESS STEEL SHELL & NUT

1 = GOLD FLASH  
4 = 10u" GOLD

**RoHS COMPLIANT**

UNITS = INCHES [MM]

DO NOT SCALE FROM DRAWING



THESE DRAWINGS AND SPECIFICATIONS ARE THE PROPERTY OF NorComp AND SHALL NOT BE REPRODUCED, COPIED OR USED AS THE BASIS FOR THE MANUFACTURE OR SALE OF APPARATUS WITHOUT WRITTEN PERMISSION.

DRAWN: M. SIGMON

DATE: 07-26-16

**NorComp**

SCALE: NTS SHEET 1 OF 1 REV 3

DWG NO. 859RD04-103R00Y