

NOTE:

MATERIAL

HOUSING: PBT UL94V-0, BLACK
 CONTACT: BRASS
 NUT: BRASS
 O-RING: EPDM, BLACK
 SHELL: BRASS

FINISH

CONTACT: GOLD PLATED
 OVER 50µ" NICKEL
 NUT: NICKEL PLATED
 SHELL: BRIGHT TIN PLATED

ELECTRICAL

RATED CURRENT: 4A
 RATED VOLTAGE: 60V
 INSULATION RESISTANCE: 100 MΩhms MIN.
 CONTACT RESISTANCE: 10 mΩhms MAX.
 WATER PROOF: IP67

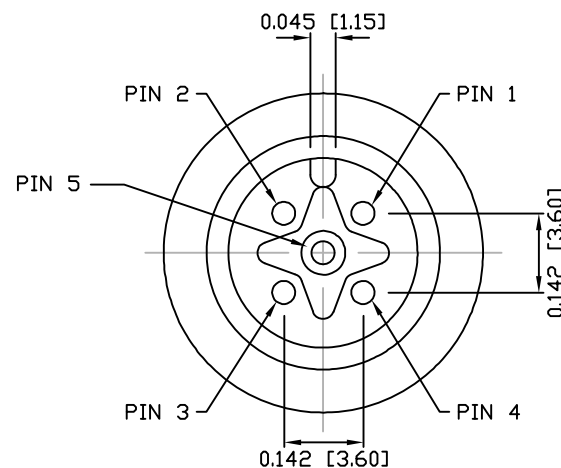
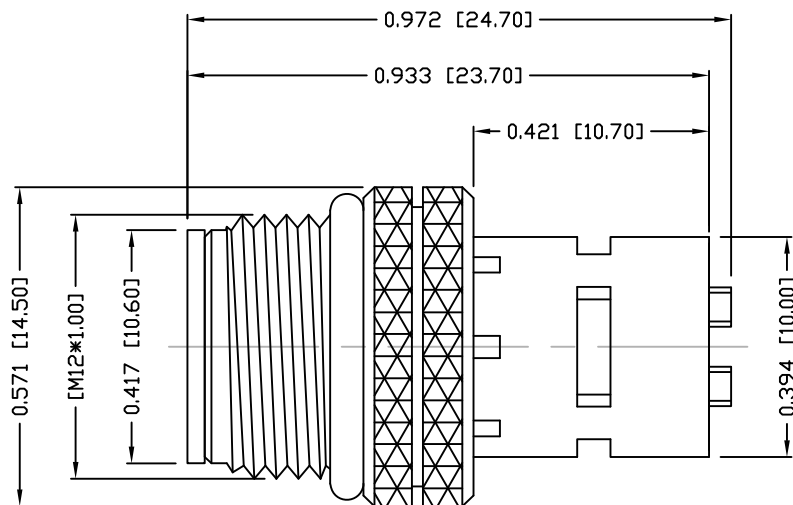
ENVIRONMENT

OPERATION TEMPERATURE: -40°C TO +85°C
 MAX WIRE AWG: 22

858-005-103RSSY

3 = BRASS/TIN (B/T) SHELL & BRASS/NICKEL NUT
 S = STAINLESS STEEL (SS) SHELL & NUT
 T = B/T SHELL / SS NUT

1 = GOLD FLASH
 4 = 10µ" GOLD



RoHS COMPLIANT

UNITS = INCHES [MM]

DO NOT SCALE FROM DRAWING



THESE DRAWINGS AND SPECIFICATIONS ARE THE PROPERTY OF NorComp AND SHALL NOT BE REPRODUCED, COPIED OR USED AS THE BASIS FOR THE MANUFACTURE OR SALE OF APPARATUS WITHOUT WRITTEN PERMISSION.

DRAWN:

M. SIGMON

DATE:

03-07-16

NorComp

SCALE:

NTS

SHEET OF

1 1

REV

3

DWG NO.

858-005-103RSSY