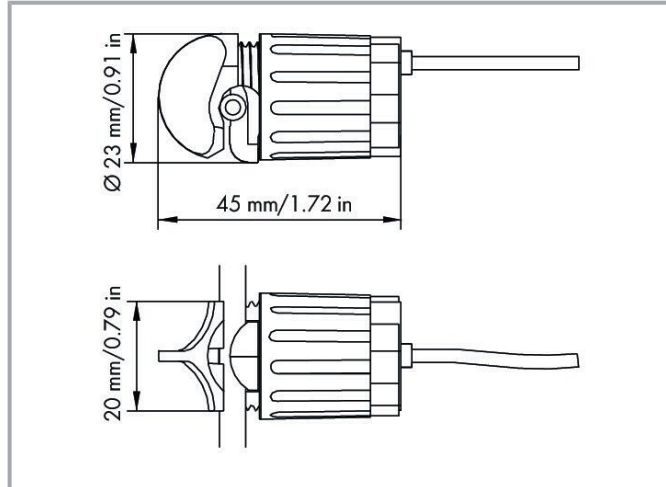


## Data sheet | Item number: 855-8002

Power tap; without fuse; 2,5 mm<sup>2</sup> (12 AWG) - 6 mm<sup>2</sup> (10 AWG); N-conductor

[www.wago.com/855-8002](http://www.wago.com/855-8002)



### Item description

#### Short description:

These voltage taps (855 Series) easily and safely tap the measurement voltage.

This allows a fuse-protected measurement voltage to be tapped from an insulated conductor with just one turn – no tools required.

#### Features:

- Safely tap the measurement voltage with just one turn
- Tool-free assembly
- Secure mounting

—  
Subject to changes. Please also observe the further product documentation!

WAGO Kontakttechnik GmbH & Co. KG  
Hansastr. 27  
32423 Minden  
Phone: +49571 887-0 | Fax: +49571 887-169  
Email: [info.de@wago.com](mailto:info.de@wago.com) | Web: [www.wago.com](http://www.wago.com)

Do you have any questions about our products?  
We are always happy to take your call at +49 (571) 887-44222.



- Voltage taps (855-8001 and 855-8003) include a (5 x 25) mm 2 A fuse
- For insulated conductors up to 16 mm<sup>2</sup> (6 AWG)
- Cable length: 3 m

## Data

### Technical data

Rated voltage	AC 400 V
Continuous current (max.)	2 A
Voltage drop at output (max.)	≤ AC 0.5 V
Fuse (voltage path)	-

### Safety and protection

Rated surge voltage	6 kV
Overvoltage category	III
Pollution degree	2
Protection type	IP20
Test voltage	AC 3 kV; 50 Hz; 1 min

### Connection data

Connection technology	IDC
Solid conductor	2.5 ... 6 mm <sup>2</sup> / 14 ... 10 AWG
Fine-stranded conductor	2.5 ... 6 mm <sup>2</sup> / 14 ... 10 AWG
Feedthrough for measurement conductor	Ø 3 ... 5 mm
Cable type	Secondary side: 1 x 1.0 mm <sup>2</sup> ; flexible; with ferrule

### Physical data

Width	23 mm / 0.906 inch
Height	50 mm / 1.969 inch
Depth	23 mm / 0.906 inch
Cable length	3 m

### Mechanical data

Mounting type	Insulation displacement connection (IDC)
Mounting type	Mounting on insulated round cable
Usability	Can be reused several times (max. 24 times)

Subject to changes. Please also observe the further product documentation!



## Material data

Flammability class per UL94	V2
Housing material	PA 66
Weight	20 g

## Environmental requirements

Pollution degree	2
Surrounding air temperature (operation)	-5 ... 55 °C
Surrounding air temperature (storage)	-20 ... 70 °C
Relative humidity	5 ... 85 % (without condensation)
Operating altitude (max.)	2000 m

## Standards and specifications

Conformity marking	CE
Standards/Specifications	EN 60947-7-1

## Commercial data

PU (SPU)	10 (1) Stück
Packaging type	box
Country of origin	NL
GTIN	4055143378857
Customs tariff number	85366990990

## Downloads

### Documentation

#### Bid Text

855-8002 docx - Datei	Feb 20, 2019	docx 17.5 kB	Download
855-8002 X81 - Datei	Feb 19, 2019	xml 5.1 kB	Download

#### Instruction Leaflet

Potentialabgriffe		pdf 79.6 kB	Download
-------------------	--	----------------	----------

Subject to changes. Please also observe the further product documentation!



### Additional Information

Disposal; Electrical and electronic equipment, Packaging	V 1.0.0	pdf 265.8 kB	Download
--	---------	-----------------	----------

---

### Environmental Product Compliance

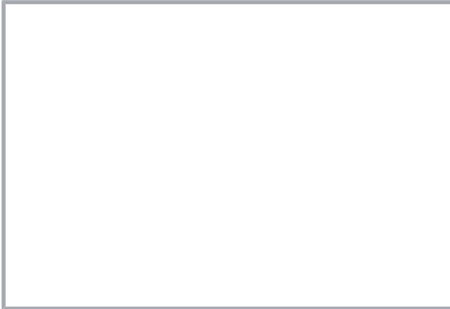
#### Compliance Search

Environmental Product Compliance 855-8002	URL	Download
Power tap; without fuse; 2,5 mm <sup>2</sup> (12 AWG) - 6 mm <sup>2</sup> (10 AWG); N-conductor		

---

### Installation Notes

#### Installation



Installation on an insulated conductor with insulation displacement connection (IDC)

Subject to changes. Please also observe the further product documentation!