

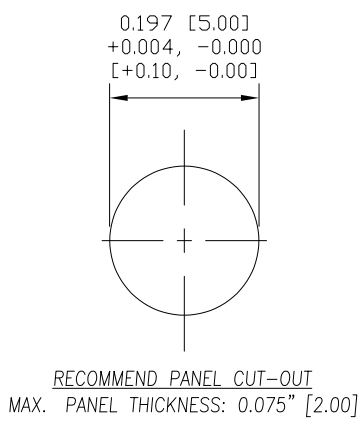
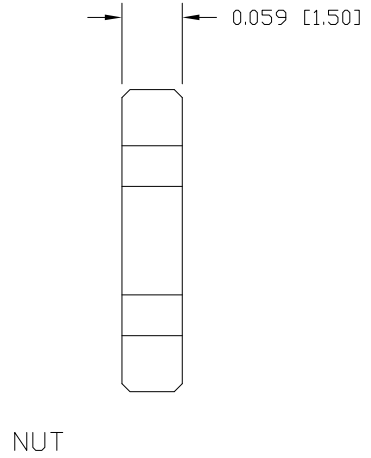
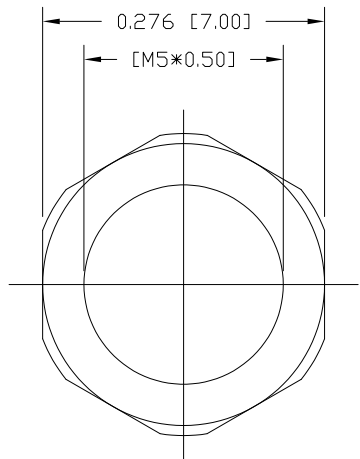
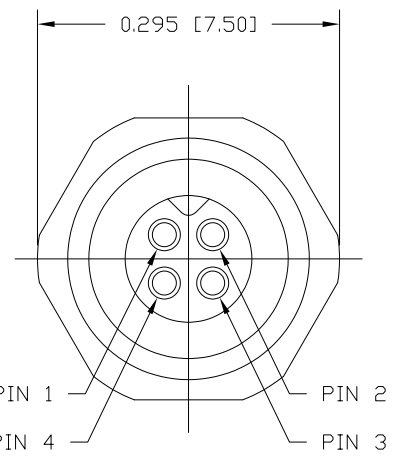
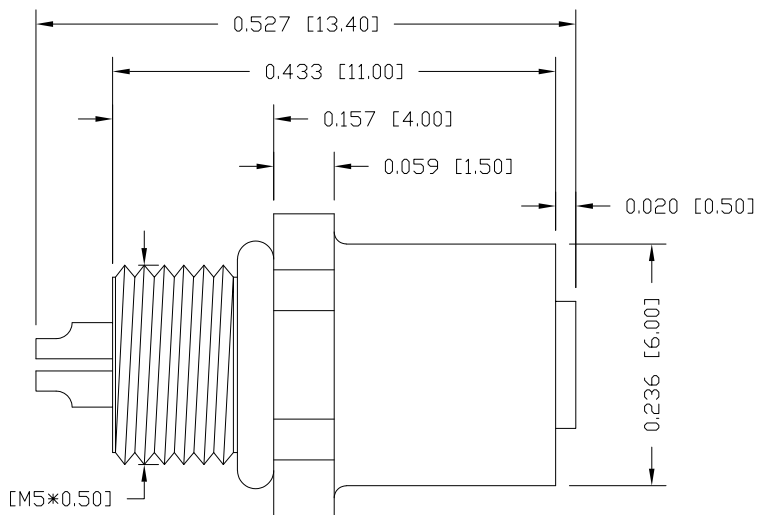
SPECIFICATIONS:

MATERIALS:
 HOUSING: PBT, UL94 V-0, BLACK
 CONTACTS: GOLD PLATED BRASS
 NUT: SEE P/N KEY BELOW
 SHELL: SEE P/N KEY BELOW
 ORING: NBR, BLACK

ELECTRICAL:
 RATED CURRENT: 1A
 RATED VOLTAGE: 60V
 INSULATION RESISTANCE: 100 MOhms MIN.
 CONTACT RESISTANCE: 10 mOhms MAX.

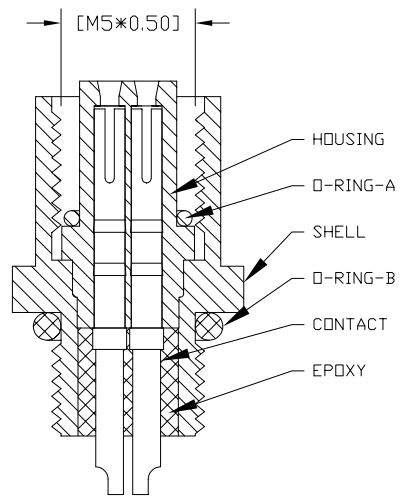
ENVIRONMENT:
 OPERATING TEMPERATURE: -40°C TO +85°C
 WATER PROOF: IP67

WIRE AWG: 28 AWG MAX RECOMMENDED



851-004-20YR00Y

3 = BRASS/NICKEL SHELL AND NUT
 S = 316 STAINLESS STEEL SHELL AND NUT
 1 = GOLD FLASH
 4 = 10µ" GOLD



RoHS COMPLIANT

UNITS = inch [mm]

DO NOT SCALE FROM DRAWING



THESE DRAWINGS AND SPECIFICATIONS ARE THE PROPERTY OF NorComp AND SHALL NOT BE REPRODUCED, COPIED OR USED AS THE BASIS FOR THE MANUFACTURE OR SALE OF APPARATUS WITHOUT WRITTEN PERMISSION.

DRAWN: M. SIGMON
 DATE: 03/04/2016

NorComp

SCALE: NTS	SHEET 1 OF 1	REV 7
DWG NO. 851-004-203R00Y		